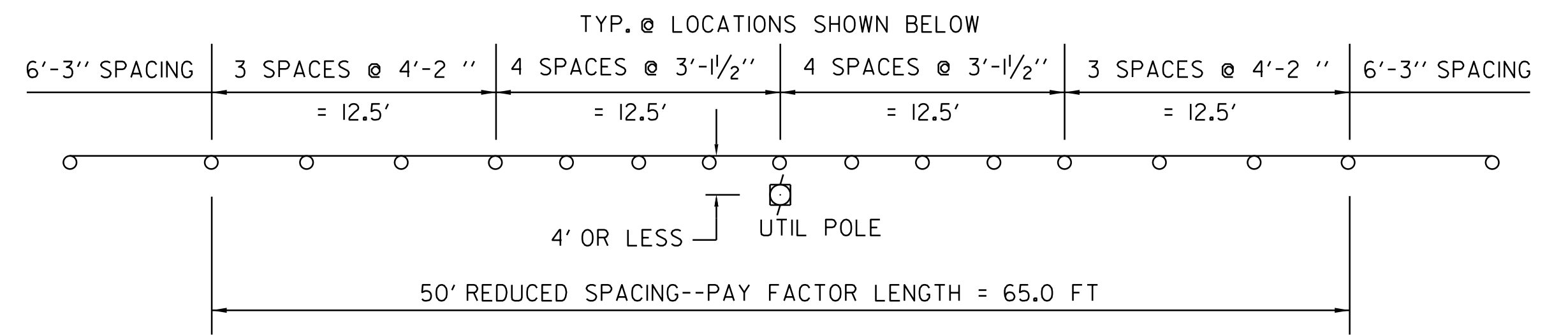


SAFETY EDGE DETAIL

NOTE: LEVELING COURSE MAY INCLUDE THE "SAFETY EDGE" AT THE CONTRACTOR'S CHOICE.

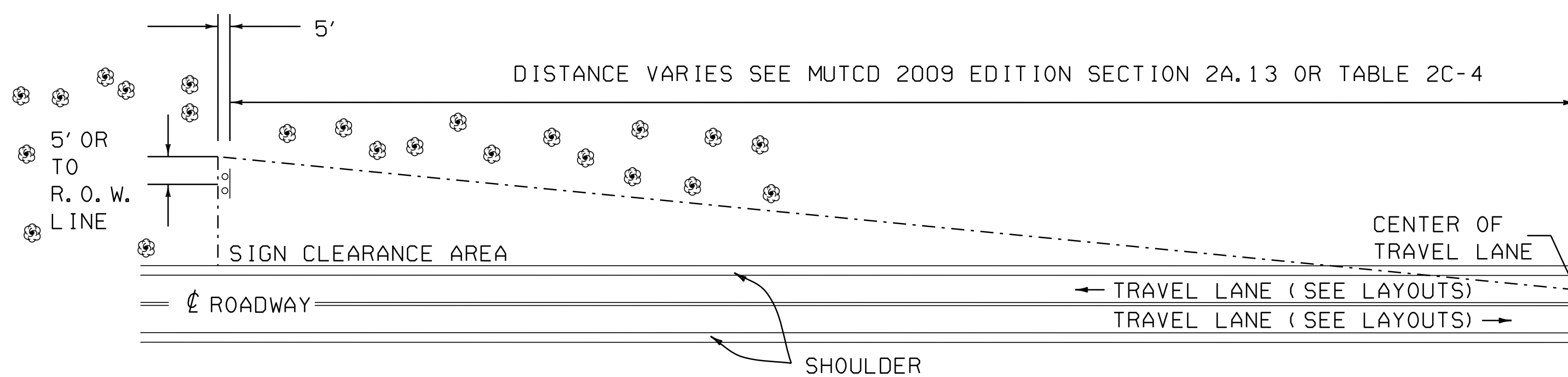


GUARDRAIL DETAIL

OBJECTS WITHIN 4.0 FT OF GUARDRAIL

LOCATION

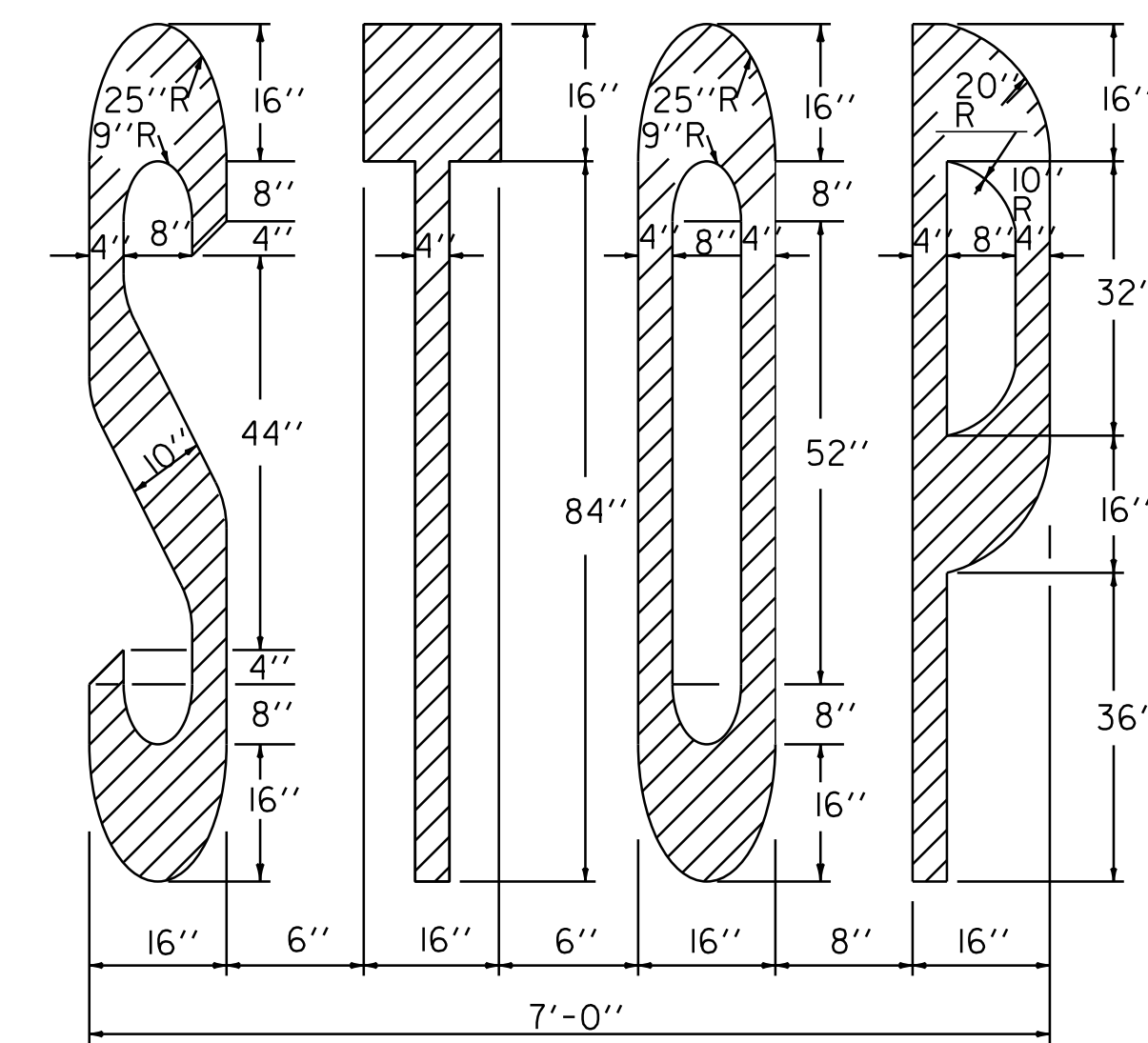
- BLOOMFIELD
- 298+11 RT
- 324+46 RT
- 326+85 RT



THINNING AND TRIMMING MAY BE REQUIRED AT SIGN LOCATIONS AS NOTED BELOW OR AS DIRECTED BY THE RESIDENT ENGINEER. THE CONTRACTOR SHALL REMOVE ALL WOODY STEMMED GROWTH INCLUDING BRUSH, SAPLINGS AND TREE LIMBS GROWING WITHIN OR PROJECTING INTO THE CLEARANCE AREA AND DOWN TO GROUND LEVEL. PAYMENT WILL BE UNDER ITEM 201.31, THINNING AND TRIMMING FOR SIGNS. NO CHEMICALS (POISONS OR DEFOLIANTS) WILL BE ALLOWED.

THINNING AND TRIMMING DETAIL

LEMINGTON
LI 30+17 LT



PAVEMENT MARKING DETAIL

MISCELLANEOUS DETAILS SHEET

PROJECT NAME: BLOOMFIELD-LEMINGTON

PROJECT NUMBER: STP 2610(I)

FILE NAME: /pave/06c052/pc052

PLOT DATE: 19-JUN-2013 16:59

PROJECT LEADER: PTS

DRAWN BY: SNG

DESIGNED BY: NLL

CHECKED BY: PTS

IPARM FILE NAME: 06C052.5

SHEET 5 OF 82

NOT TO SCALE