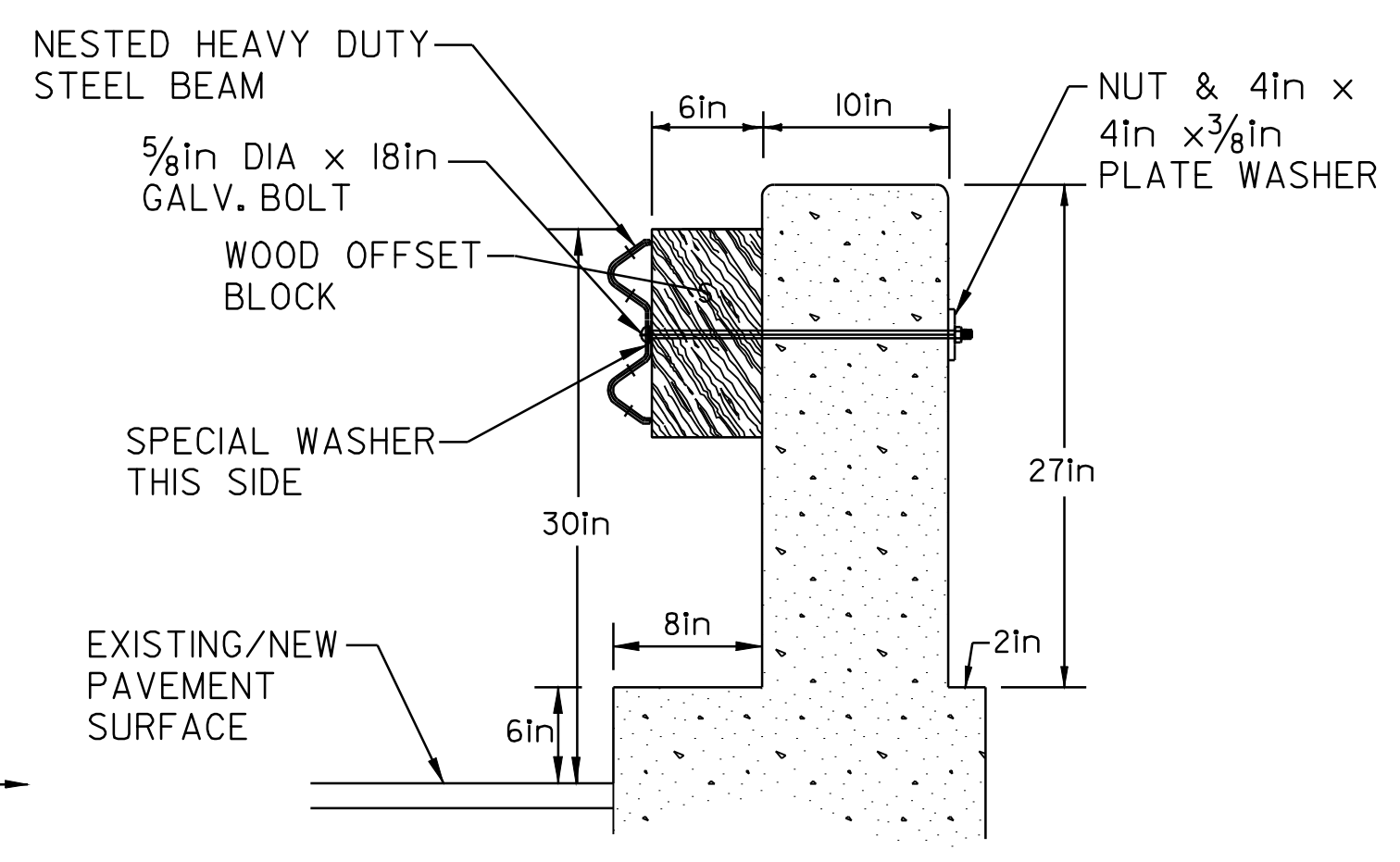


BRUNSWICK - BRIDGE #6
STA 137+15 = MM 2.60
(FIELD MEASURED)



POST DETAIL

POST DETAILS

- NOTES:
1. BOLTS, NUTS & WASHERS SHALL BE GALVANIZED AND CONFORM TO SECTION 714.05, EXCEPT THAT POST BOLTS SHALL CONFORM TO STANDARD G-1 REQUIREMENTS AND BE CORROSION RESISTANT.
 2. PLATE AND SPECIAL WASHER SHALL BE OF AASHTO M270M/M270 GRADE 50 STEEL

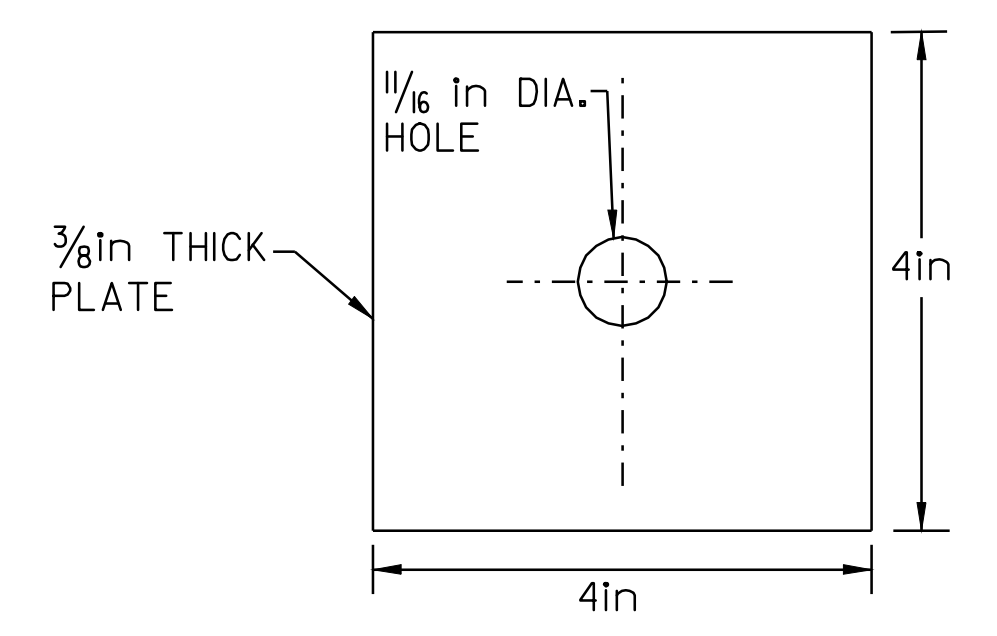
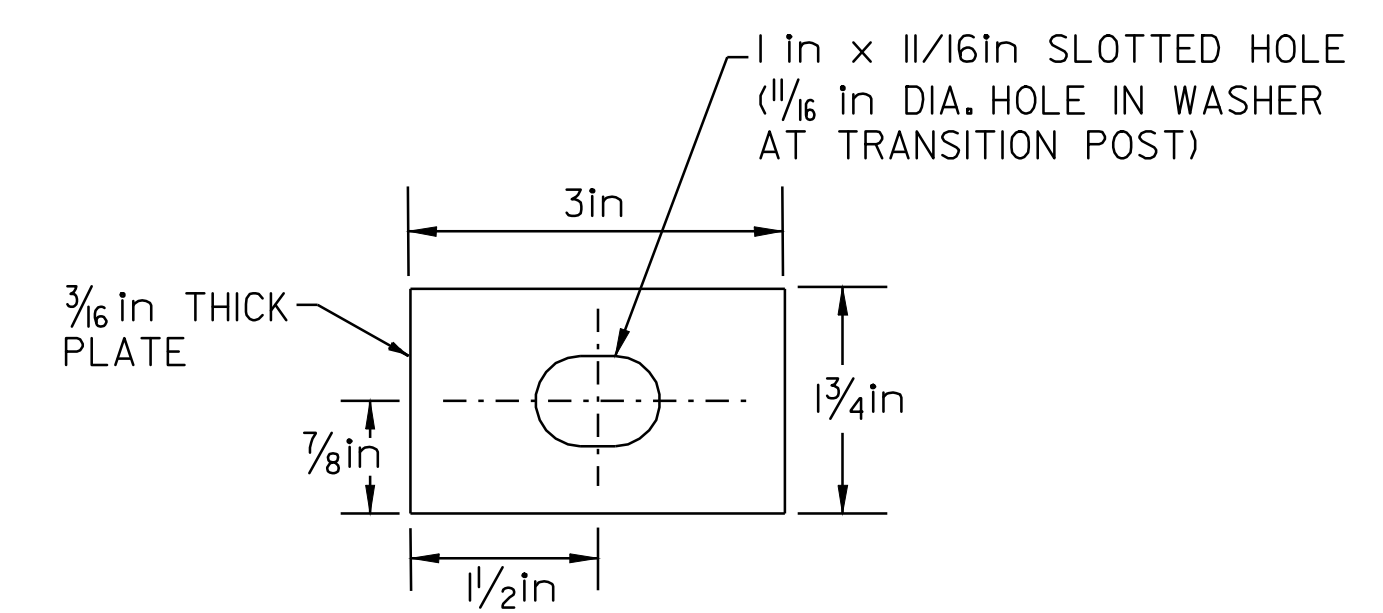
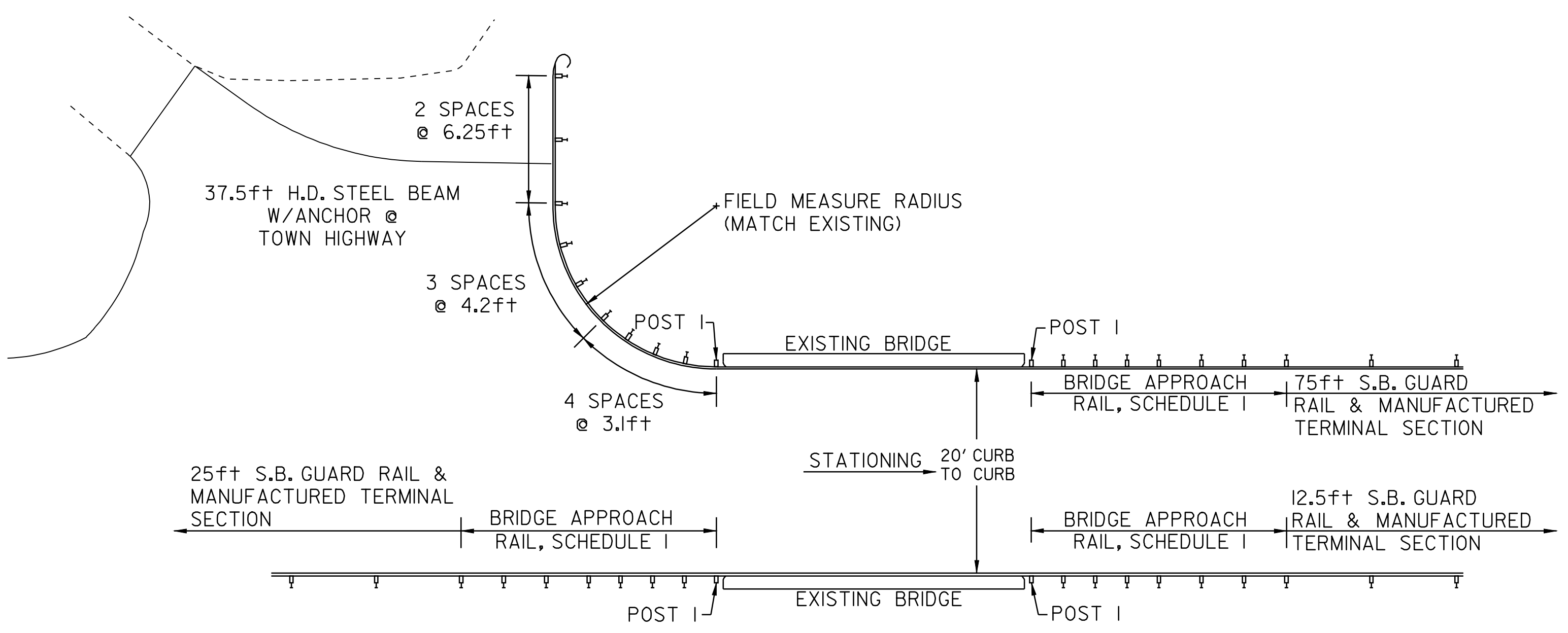


PLATE WASHER DETAIL
(MATERIAL SHALL MEET AASHTO M270M/M270 GRADE 50)



SPECIAL WASHER DETAIL
(MATERIAL SHALL MEET AASHTO M270M/M270 GRADE 50)



BLOOMFIELD - BRIDGE #9
STA 9+45 = MM 0.18
(FIELD MEASURED)

**BRIDGE
DETAIL
SHEET
#2**

DESIGNED BY	BCE/PJM	DATE	10-06
DRAWN BY	C.E.A., INC.	DATE	10-06
DESIGN FILE NO.	06c042.dgn		
PRF FILE	06c042br2.1	DATE PLOTTED	24-AUG-2009 09
PROJ. NAME	MAIDSTONE - BLOOMFIELD		
PROJ. NO.	STP 2609(1)S		
SHEET	39	OF	40 SHEETS