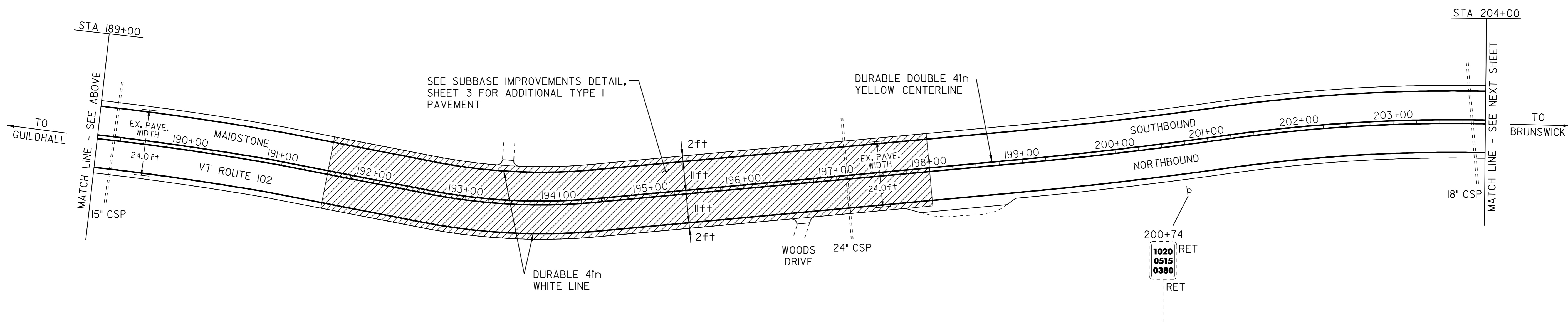
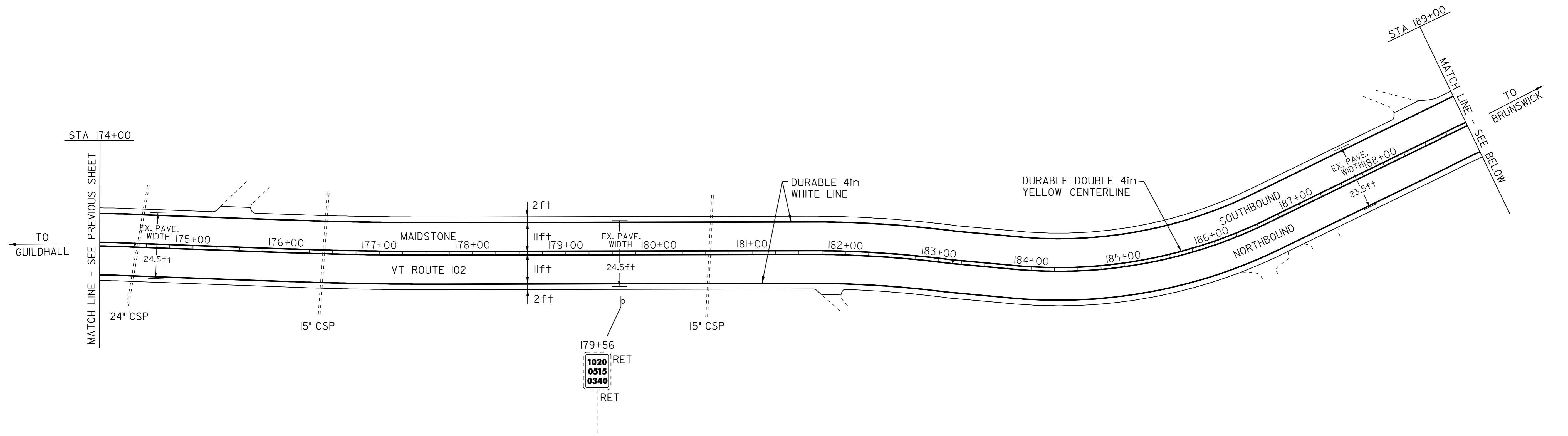


TEMPORARY 4in YELLOW LINE (PAINT)
 DURABLE 4in YELLOW LINE (THERMOPLASTIC)
 STA 174+00 TO 204+00 SOLID LT&RT

TEMPORARY 4in WHITE LINE (PAINT)
 DURABLE 4in WHITE LINE (THERMOPLASTIC)
 STA 174+00 TO 204+00 SOLID LT&RT

DITCHING LOCATIONS (REFER TO SHEET 10 FOR DETAILS)
 STA 175+75 TO 187+00 LT
 STA 193+50 TO 196+50 RT



- LEGEND
- N = NEW
 - R = REMOVE
 - R&S = REMOVE & SALVAGE
 - S = SALVAGE
 - RET = RETAIN
 - B-TO-B = BACK TO BACK
 - ⊕ □ = CATCH BASIN/DI (N.W.) = NO WORK REQUIRED (TYP. FOR D.I.'S, & C.B.'S WHERE NOTED)
 - I = YIELDING MARKER POST
 - ⊕ = UTILITY POLE
 - = DRIVE

PAVING PROJECT LAYOUT SHEET #2

DESIGNED BY	BCE/PJM	DATE	10-06
DRAWN BY	C.E.A., INC.	DATE	10-06
DESIGN FILE NO.	06c042.dgn		
PRF FILE	06c042p02.i	DATE PLOTTED	24-AUG-2009
PROJ. NAME	MAIDSTONE - BLOOMFIELD		
PROJ. NO.	STP 2609(1)S		
SHEET	12	OF	40 SHEETS