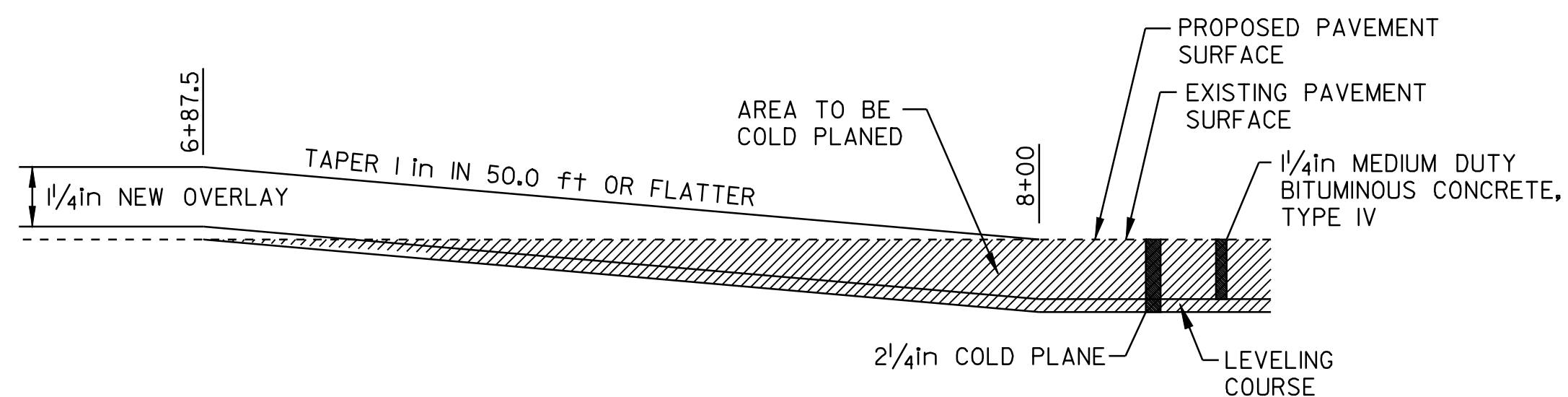


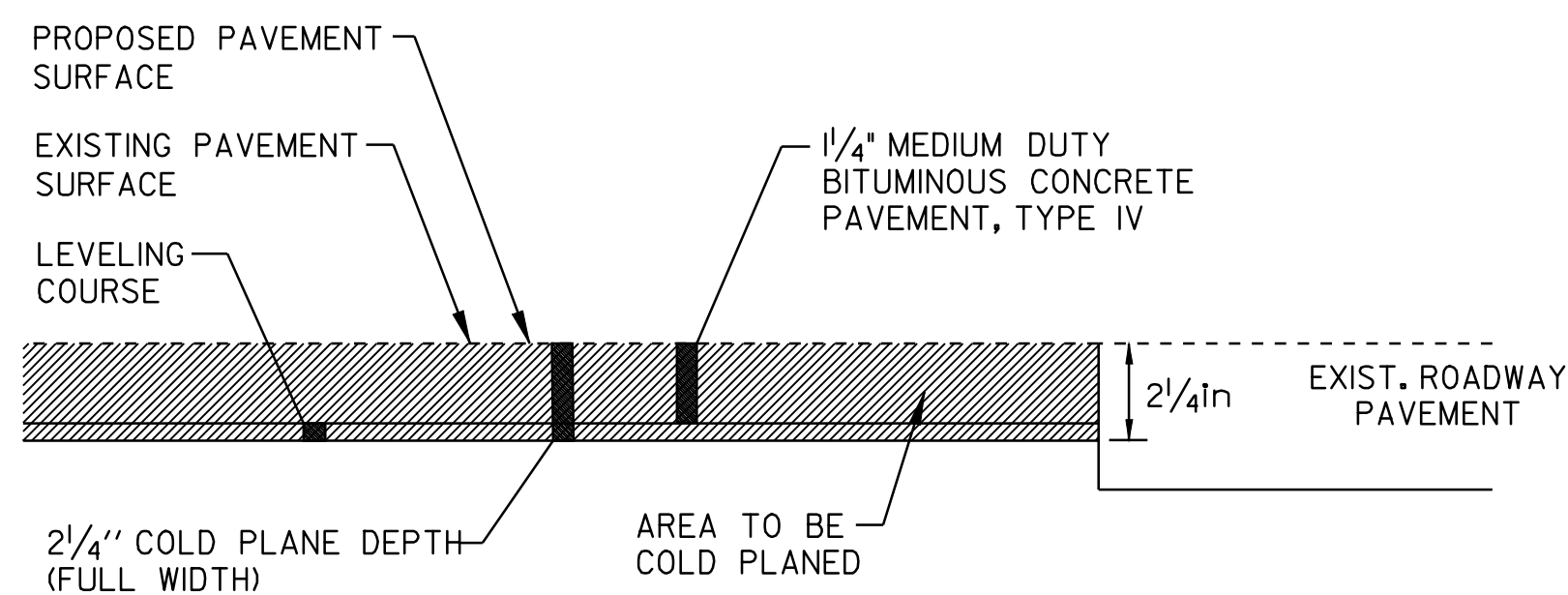
- APPROACH AREA DETAIL -

MAIDSTONE
STA 149+42 TO 150+05 (BEGIN PROJECT)



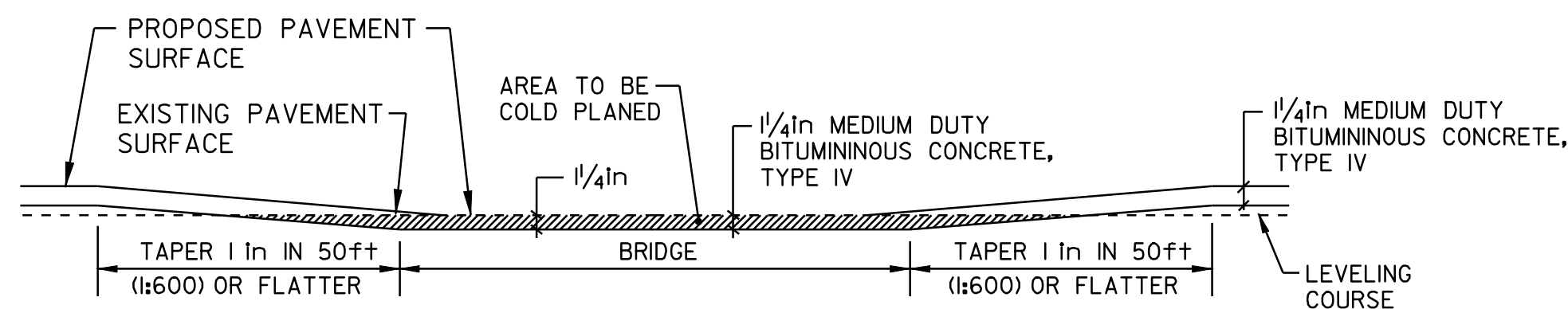
- TRANSITION AREA DETAIL -

BLOOMFIELD
STA 6+87.5 TO 8+00 (END OVERLAY/BEGIN COLD PLANE)



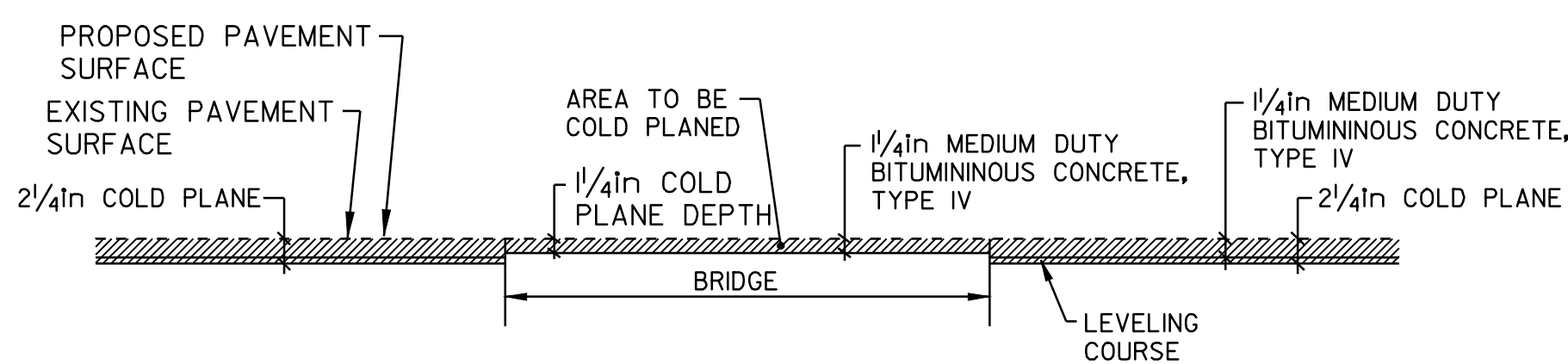
- APPROACH AREA DETAIL -

BLOOMFIELD
STA 26+75 (END PROJECT)



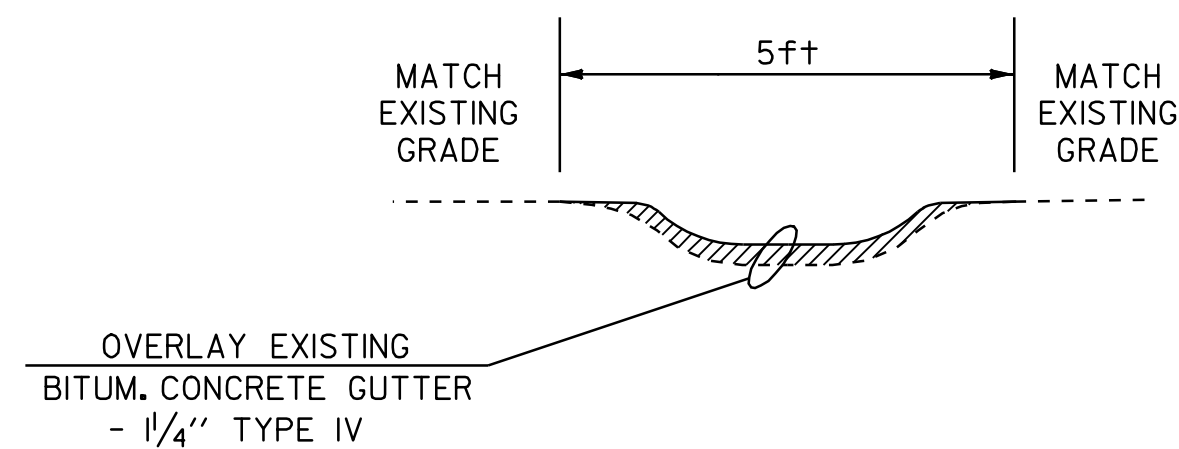
- COLD PLANING DETAIL @ BRIDGE -

BRUNSWICK
BRIDGE #6 - STA 137+15



- COLD PLANING DETAIL @ BRIDGE -

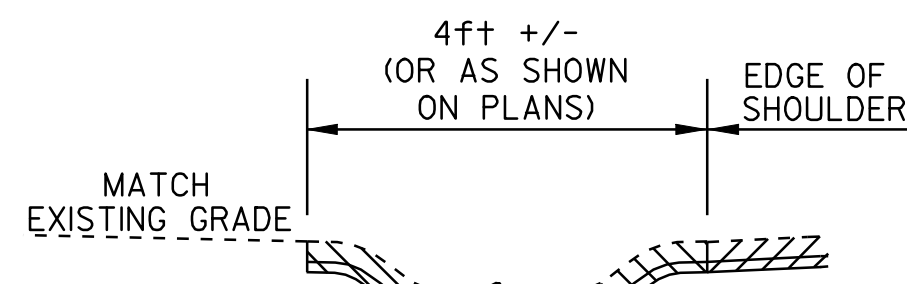
BLOOMFIELD
BRIDGE #9 - STA 9+45



BITUMINOUS CONCRETE GUTTER DETAIL (PERPENDICULAR TO ROADWAY)
BRUNSWICK

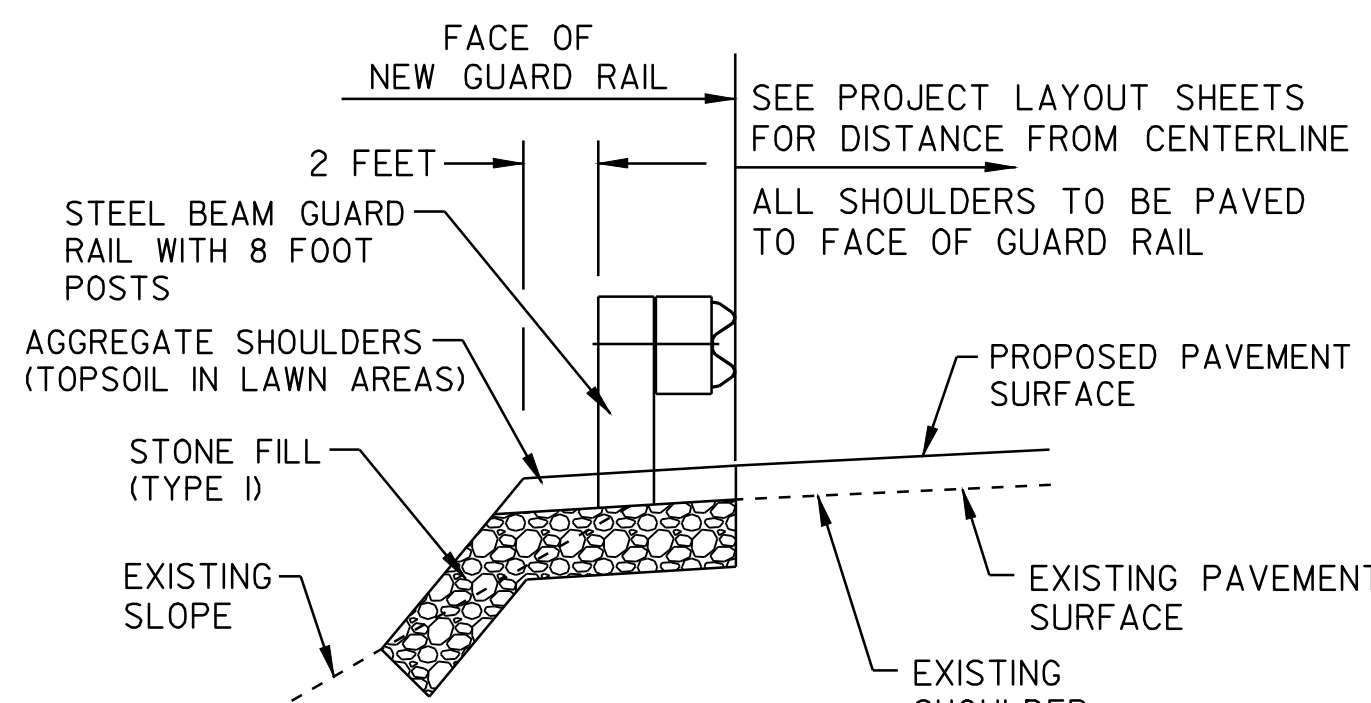
STA 62+30 RT (30' LONG)

REPLACE EXISTING BITUM. CONCRETE GUTTER
 - (2) 1 in LIFTS TYPE IV
 - REMOVAL TO BE PAID AS COMMON EXCAVATION OF EARTH ITEM 203.15



BITUMINOUS CONCRETE GUTTER DETAIL
BLOOMFIELD

STA 15+95 TO 16+63 RT
 STA 15+98 TO 16+80 LT

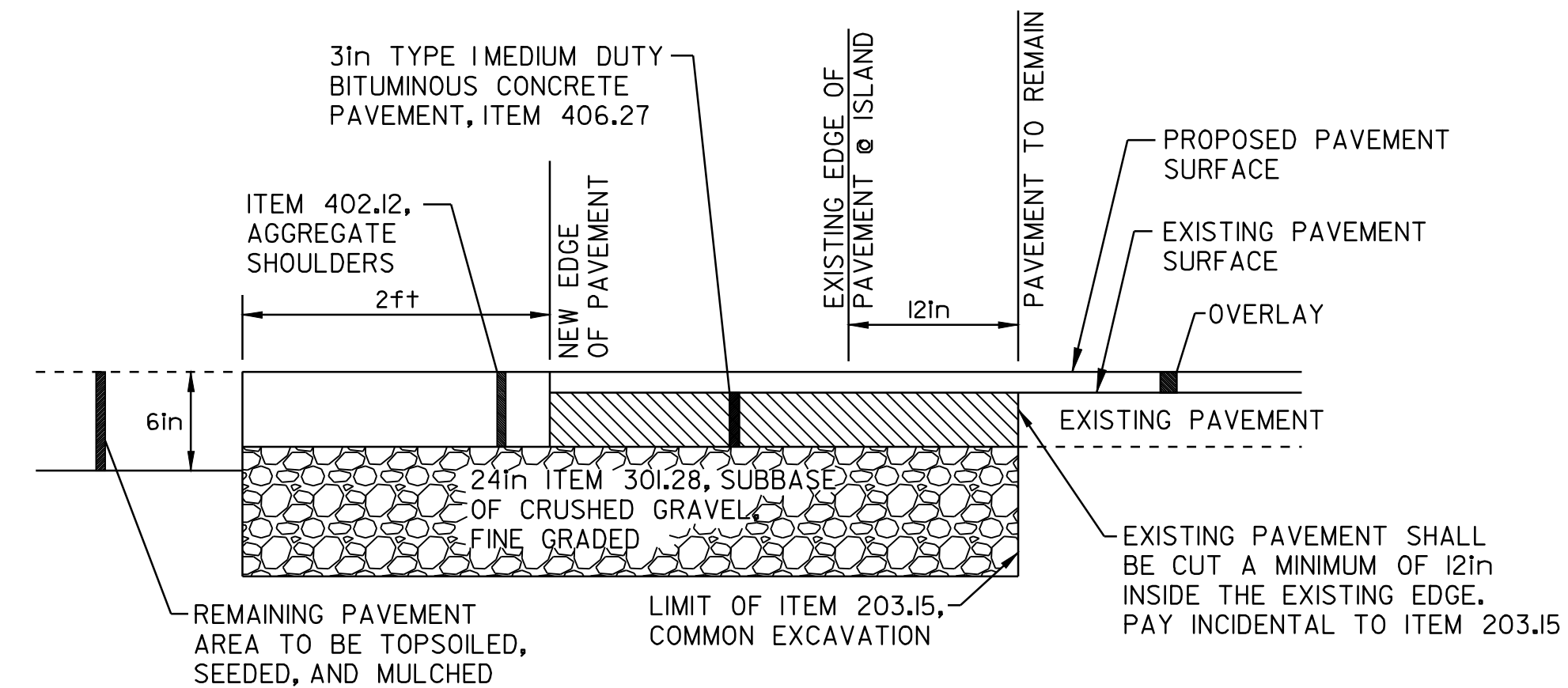


- WIDENING AT GUARD RAIL DETAIL -

MAIDSTONE
STA 297+80 TO 301+05 RT
STA 370+43 TO 371+80 RT
STA 408+30 TO 410+50 RT

NOTES:

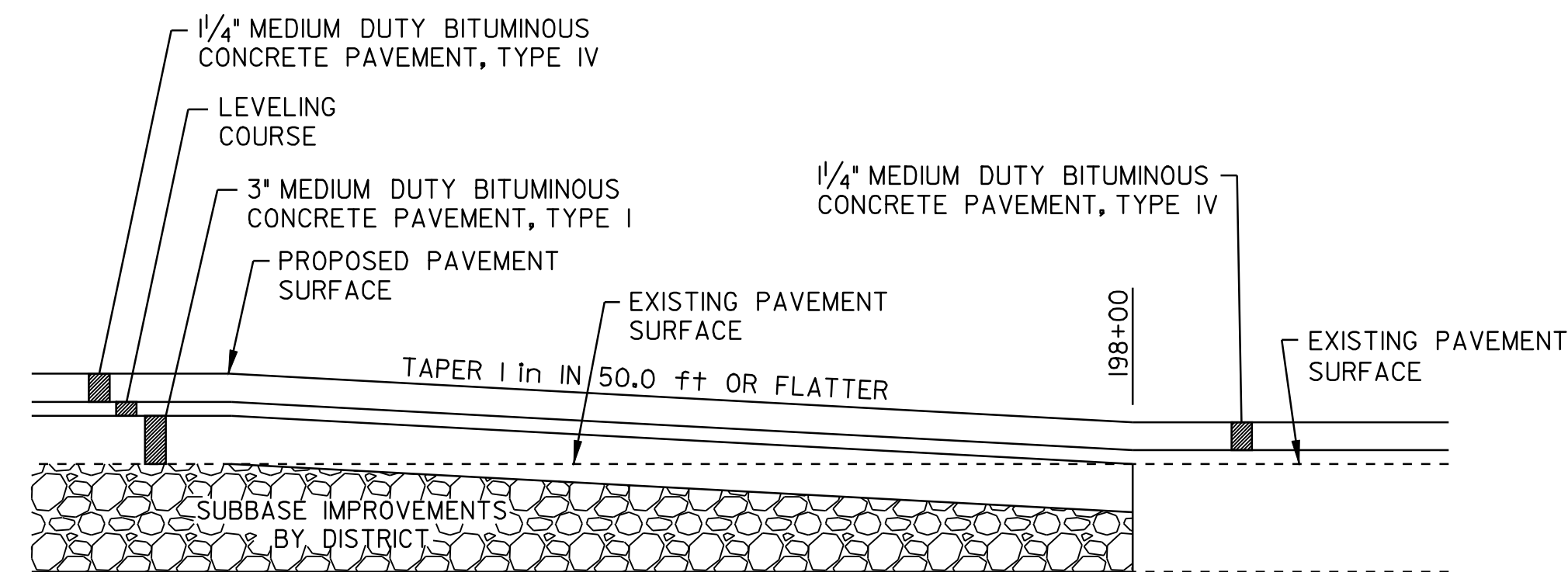
- UNLESS OTHERWISE DIRECTED BY THE RESIDENT ENGINEER THIS TREATMENT WILL ONLY BE USED AT THE LOCATIONS INDICATED ABOVE. EVERY ATTEMPT SHALL BE MADE TO INSTALL THE FACE OF GUARD RAIL AT 15 FEET FROM CENTERLINE WITHOUT WIDENING WITH STONE FILL.
- PAYMENT FOR ALL EXCAVATION TO PLACE THE STONE FILL, AS SHOWN IN THIS DETAIL, SHALL BE MADE UNDER THE APPROPRIATE EQUIPMENT RENTAL ITEMS. THE EXCAVATED MATERIAL SHALL BE SPREAD ON THE ADJACENT SLOPE OR HAULED AWAY AS DIRECTED BY THE RESIDENT ENGINEER.
- PAYMENT FOR THE STONE FILL, TYPE I, SHALL BE MADE UNDER PAY ITEM 613.10. QUANTITIES OF THIS STONE FILL HAVE BEEN ESTIMATED FOR USE ON THIS PROJECT.



ROAD SECTION AT ISLAND/PAVEMENT TO BE REMOVED

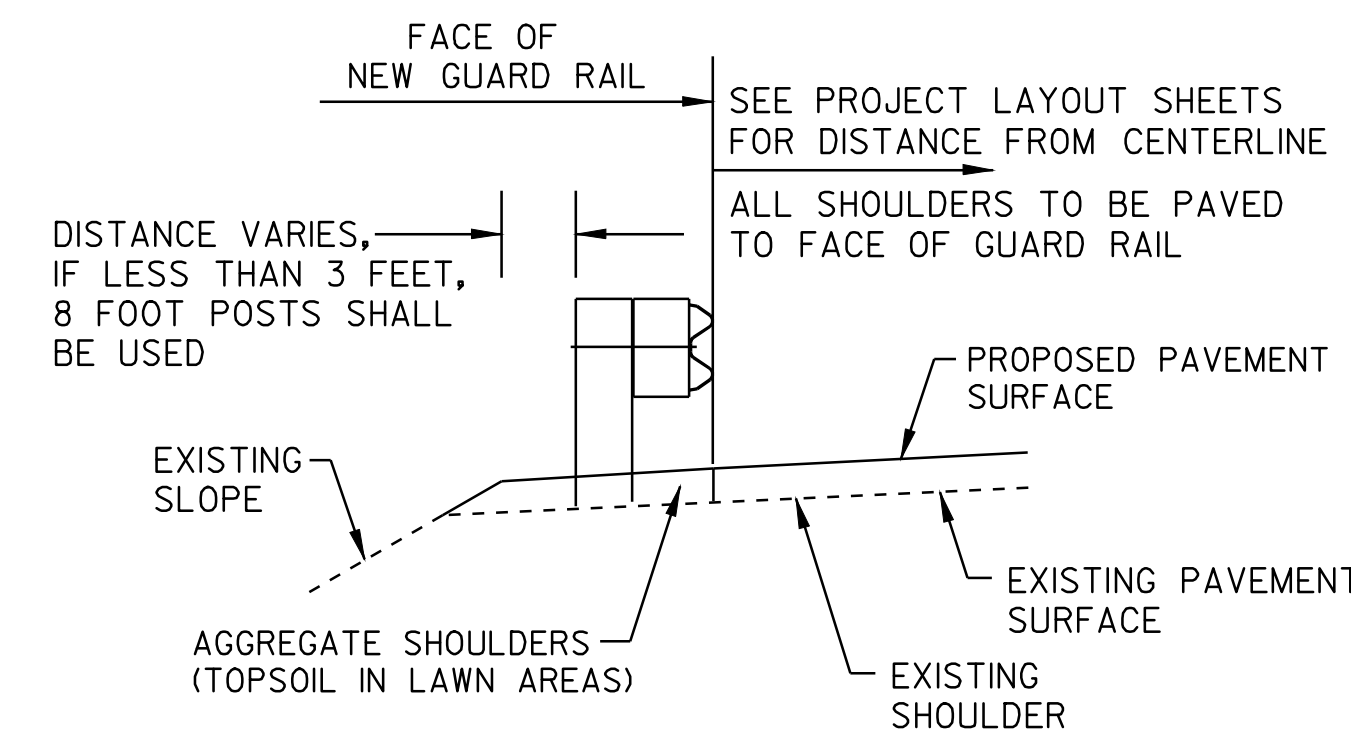
BRUNSWICK

INTERSECTION SFH/VT ROUTE 102
STA 115+64



-SUBBASE IMPROVEMENTS DETAIL-

MAIDSTONE
STA 191+50 TO 198+00



- TYPICAL SECTION AT GUARD RAIL -

THIS TREATMENT SHALL BE USED IN ALL GUARD RAIL LOCATIONS EXCEPT AS NOTED IN THE WIDENING AT GUARD RAIL DETAIL.

PROJECT TYPICAL SHEET #2

DESIGNED BY	BCE/PJM	DATE	8-06
DRAWN BY	C.E.A., INC.	DATE	8-06
DESIGN FILE NO.	06c042.dgn		
PRF FILE	06c042+tp2.i	DATE PLOTTED	24-AUG-2009
PROJ. NAME	MAIDSTONE - BLOOMFIELD		
PROJ. NO.	STP 2609(1)S		
SHEET	3	OF	40 SHEETS