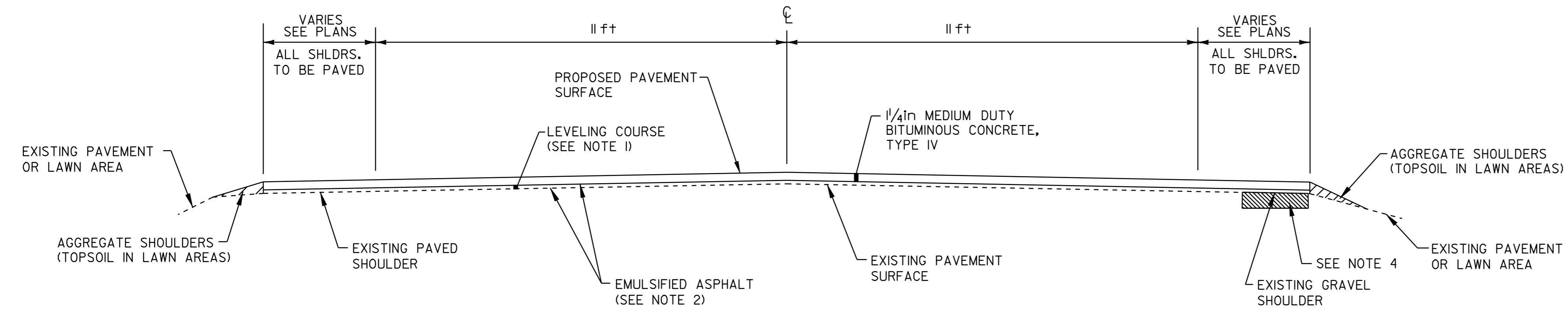
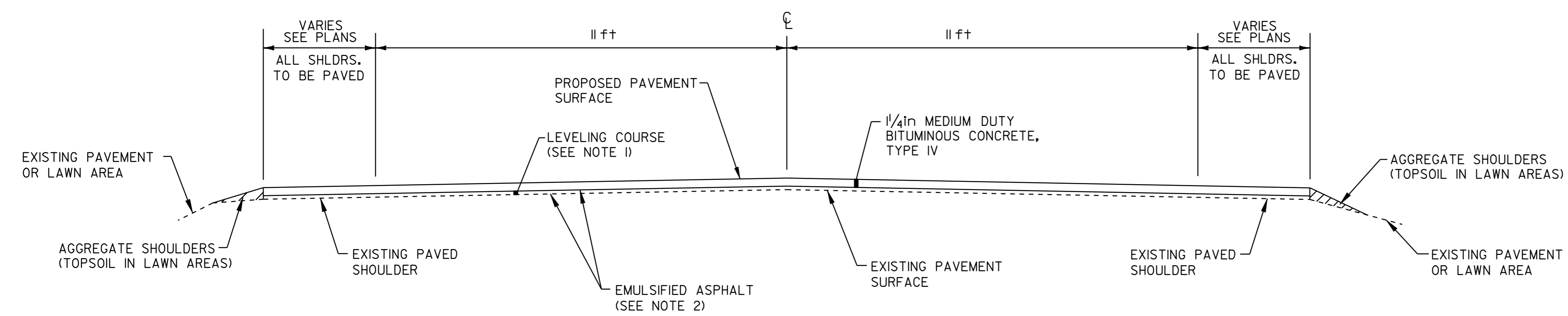


NOTES

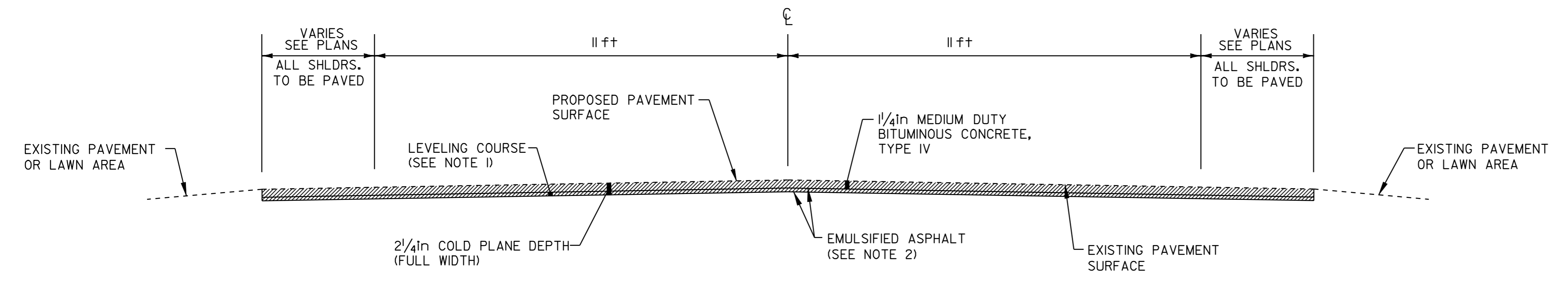
- THE PAVEMENT WEARING COURSE SHALL BE TYPE IV.
- THE LEVELING COURSE SHALL BE TYPE IV UNLESS OTHERWISE SHOWN IN THE PLANS OR DIRECTED BY THE RESIDENT ENGINEER. LEVELING HAS BEEN INCLUDED TO RESHAPE THE ROADWAY PRIOR TO PAVING THE TOP COURSE ALONG THE OVERLAY AND COLD PLANE TYPICAL SECTIONS. AN ESTIMATED THICKNESS OF 1 in OF ITEM 406.27 HAS BEEN INCLUDED TO COVER THIS PROVISION. AN INCREASED LEVELING DEPTH HAS BEEN INCLUDED BECAUSE OF THE EXTREME RUTTING IN THE EXISTING PAVEMENT.
- ALL ASPHALT CEMENT USED IN THE BITUMINOUS CONCRETE PAVEMENT SHALL BE PG 58-34.
- EMULSIFIED ASPHALT SHALL BE APPLIED ON EXISTING PAVEMENT SURFACES, BETWEEN ALL COURSES OF PAVEMENT AND ON COLD PLANED SURFACES AT THE RATE OF 0.025 GAL/SY OR AS DIRECTED BY THE RESIDENT ENGINEER.
- BITUMINOUS CONCRETE PAVEMENT TOLERANCE = +/- 1/4 in (TOTAL THICKNESS EXCLUDING LEVELING).
- EXISTING SHOULDER MATERIAL DEEMED UNSUITABLE BY THE RESIDENT ENGINEER WILL BE EXCAVATED TO A DEPTH OF 3 in +/- OR AS DIRECTED BY THE RESIDENT ENGINEER. EXCAVATED MATERIAL WILL BE SPREAD ON THE ADJACENT SLOPES OR REMOVED FROM THE PROJECT, AS DIRECTED BY THE RESIDENT ENGINEER. THIS WORK WILL BE PAID FOR USING THE APPROPRIATE RENTAL ITEMS SUCH AS ALL PURPOSE EXCAVATOR RENTAL, TYPE I, POWER GRADER RENTAL, LOADER RENTAL, TYPE I, TRUCK RENTAL, AND POWER BROOM RENTAL, TYPE I. THE METHOD OF REMOVAL AND THE USE OF RENTAL ITEMS SHALL BE APPROVED BY THE RESIDENT ENGINEER PRIOR TO ANY WORK BEING DONE. MATERIAL REMOVED SHALL BE REPLACED WITH SUBBASE OF CRUSHED GRAVEL, FINE GRADED.
- THREE FEET OF BACKING IS REQUIRED BEHIND THE FACE OF GUARD RAIL WITH 6 ft POSTS. IF THIS CANNOT BE OBTAINED THEN 8 ft POSTS SHALL BE USED. ALL GUARDRAIL SHALL BE STEEL BEAM WITH STEEL POSTS AND WOOD BLOCKOUTS (OR APPROVED ALTERNATIVE MATERIAL). NEW GUARDRAIL SHALL BE INSTALLED IN COMPLIANCE WITH STANDARD G-1.
- COLD PLANING TO BE COMPLETED ACCORDING TO THE TYPICAL OR AS NOTED OTHERWISE ON THE PLANS. A FULL DEPTH BUTT JOINT SHALL BE CONSTRUCTED AT THE PROJECT BEGIN/END AND AT ALL SIDE ROAD APPROACHES AS DENOTED ON THE PROJECT PLANS OR AS OTHERWISE DIRECTED BY THE RESIDENT ENGINEER.
- ITEMS 604.40 & 604.412 ARE ESTIMATED QUANTITIES AND SHALL BE PERFORMED AT LOCATIONS INDICATED ON THE LAYOUT SHEETS AND AS DIRECTED BY THE RESIDENT ENGINEER. ALL D.I.'S SHALL BE RAISED OR REHABILITATED SUCH THAT THE NEW GRATE ELEVATION IS LEVEL WITH THE SURROUNDING TERRAIN.
- ALL EDGES OF PAVEMENT AND TREATED TIMBER CURB SHALL BE BACKED UP FULL HEIGHT WITH ITEM 402.12, AGGREGATE SHOULDERS, AS DIRECTED BY THE RESIDENT ENGINEER.
- ALL DRIVES SHALL RECEIVE A PAVED APRON AS DIRECTED BY THE RESIDENT ENGINEER. ALL REQUIRED EXCAVATION IN DRIVE AREAS SHALL BE PERFORMED AS DIRECTED BY THE RESIDENT ENGINEER AND WILL BE PAID FOR UNDER THE APPLICABLE RENTAL ITEM(S). IF REQUIRED, A NEW DRIVEWAY SUBBASE SHALL BE CONSTRUCTED AND WILL BE PAID FOR UNDER ITEM 301.28, SUBBASE OF CRUSHED GRAVEL, FINE GRADED. A NEW BITUMINOUS SURFACE SHALL BE CONSTRUCTED AS DIRECTED BY THE RESIDENT ENGINEER AND WILL BE PAID FOR UNDER ITEM 406.27. ESTIMATED QUANTITIES OF THE ABOVE ITEMS HAVE BEEN INCLUDED TO PAY FOR THIS WORK.
- AN ESTIMATED QUANTITY OF EARTH BORROW HAS BEEN INCLUDED FOR THE PROVISION OF CONSTRUCTING GUARD RAIL END SECTIONS WHICH SHALL BE CAPPED WITH AN ESTIMATED 3" DEPTH OF AGGREGATE SHOULDER MATERIAL UNLESS OTHERWISE DIRECTED BY THE RESIDENT ENGINEER. THE QUANTITIES INCLUDED REFLECT 25 CUBIC YARDS OF EARTH BORROW AND 5 TONS OF AGGREGATE SHOULDERS FOR EACH GUARD RAIL TERMINAL.
- ITEM 616.47, BITUMINOUS CONCRETE GUTTERS AND TRAFFIC ISLANDS WILL BE PAID ONLY WHERE SPECIFIED IN THE PLANS. ALL OTHER BITUMINOUS CONCRETE PAVEMENT WORK, WHICH COULD INVOLVE SOME HAND-WORK (SUCH AS DRIVE AND SIDE ROAD APPROACHES AND AROUND DRAINAGE/UTILITY STRUCTURES), SHALL BE PAID FOR AT THE CONTRACT UNIT PRICE FOR ITEM 406.27, MEDIUM DUTY BITUMINOUS CONCRETE PAVEMENT (PG 58-34).
- COMPACTION, GRADING, AND CLEAN UP OF ITEM 301.28, SUBBASE OF CRUSHED GRAVEL, FINE GRADED, ITEM 402.12, AGGREGATE SHOULDERS, AND ITEM 651.35, TOPSOIL, IS TO BE INCLUDED IN THE CONTRACT PRICE OF EACH ITEM.



OVERLAY TYPICAL SECTION
MAIDSTONE
STA 149+42 TO 413+07
BLOOMFIELD
STA 0+00 TO 8+00



OVERLAY TYPICAL SECTION
BRUNSWICK
STA 0+00 TO 373+83



COLD PLANED TYPICAL SECTION
BLOOMFIELD
STA 8+00 TO 26+75

PROJECT PAVING LIMITS

| TOWN & ROUTE | BEGIN STATION | END STATION | LANE TYPICAL | WEARING DEPTH | LEVELING Tons | NOTES |
|---------------------------|---------------|-------------|-------------------------|---------------|---------------|---|
| MAIDSTONE - VT ROUTE 102 | 149+42 | 413+07 | VARIES-IIft-IIft-VARIES | 1/4 in | 4,700 | LEVEL & PAVE W/1/4 in TYPE IV |
| BRUNSWICK - VT ROUTE 102 | 0+00 | 373+83 | VARIES-IIft-IIft-VARIES | 1/4 in | 6,790 | LEVEL & PAVE W/1/4 in TYPE IV |
| BLOOMFIELD - VT ROUTE 102 | 0+00 | 8+00 | VARIES-IIft-IIft-VARIES | 1/4 in | 130 | LEVEL & PAVE W/1/4 in TYPE IV |
| | 8+00 | 26+75 | VARIES-IIft-IIft-VARIES | 1/4 in | 370 | COLD PLANE 2 1/4 in, LEVEL, & PAVE W/1/4 in TYPE IV |

PROJECT TYPICAL SHEET #1

| | | | |
|-----------------|------------------------|--------------|-------------|
| DESIGNED BY | BCE/PJM | DATE | 10-06 |
| DRAWN BY | C.E.A., INC. | DATE | 10-06 |
| DESIGN FILE NO. | 06c042.dgn | | |
| PRF FILE | 06c042+typ1 | DATE PLOTTED | 24-AUG-2009 |
| PROJ. NAME | MAIDSTONE - BLOOMFIELD | | |
| PROJ. NO. | STP 2609(1)S | | |
| SHEET | 2 | OF | 40 SHEETS |