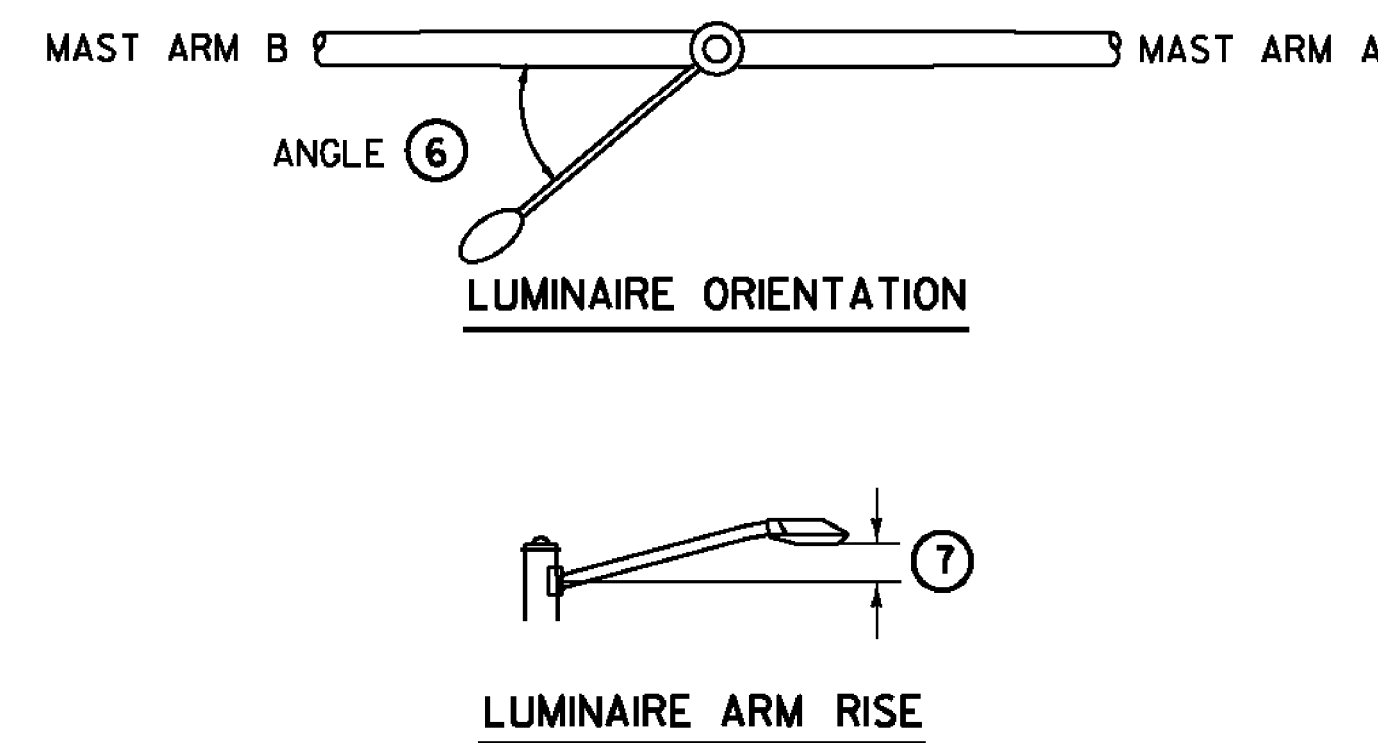
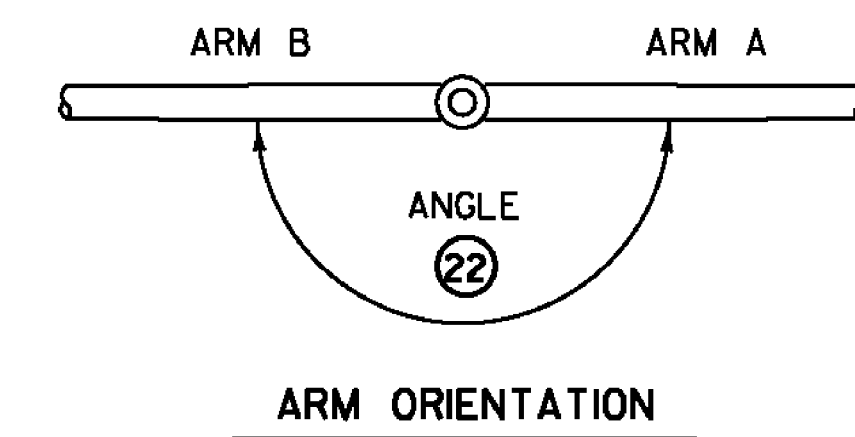
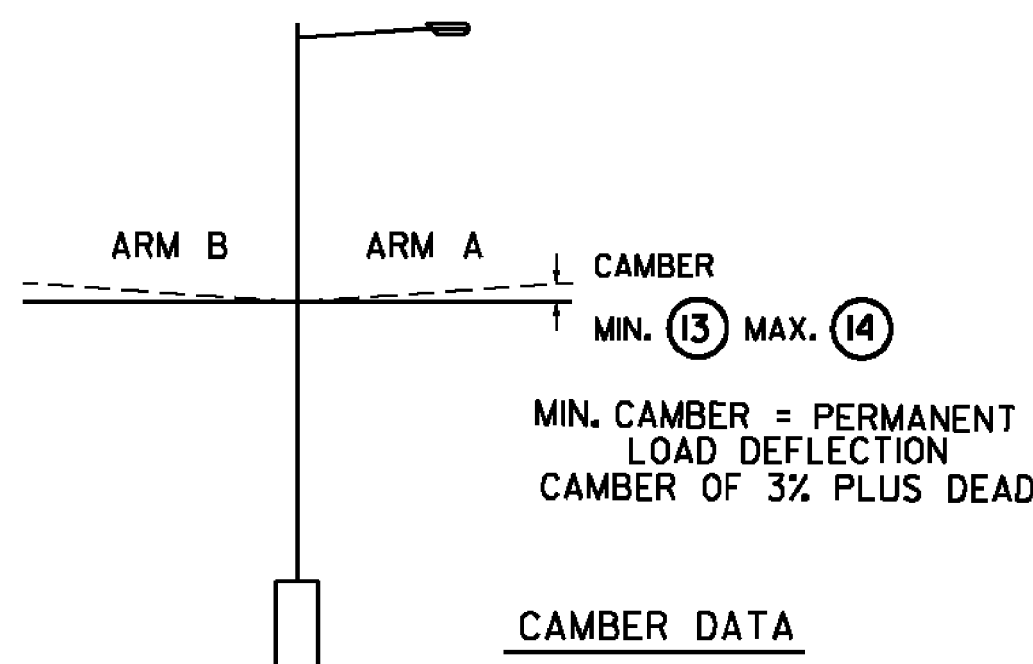


MAPI

POLE BASE DIAMETER (3)
 POLE GAUGE (4)
 POLE TAPER RATE (5)

ARM B DIAMETER (10) ARM A DIAMETER (17)
 ARM B GAUGE (11) ARM A GAUGE (18)
 ARM B TAPER RATE (12) ARM A TAPER RATE (19)



POLE	POLE DATA					ARM DATA																FOOTING DATA		BASE PLATE / BOLT DATA							
	(1)	(2)	(3)	(4)	(5)	(6)	(7)	(8)	(9)	(10)	(11)	(12)	(13)	(14)	(15)	(16)	(17)	(18)	(19)	(20)	(21)	(22)	(23)	(24)	(BC)	(F)	(S)	(T)	(P)	ANCHOR BOLT SIZE	
MAPI	19.5	18				45	2	33	17.5							36	18														

