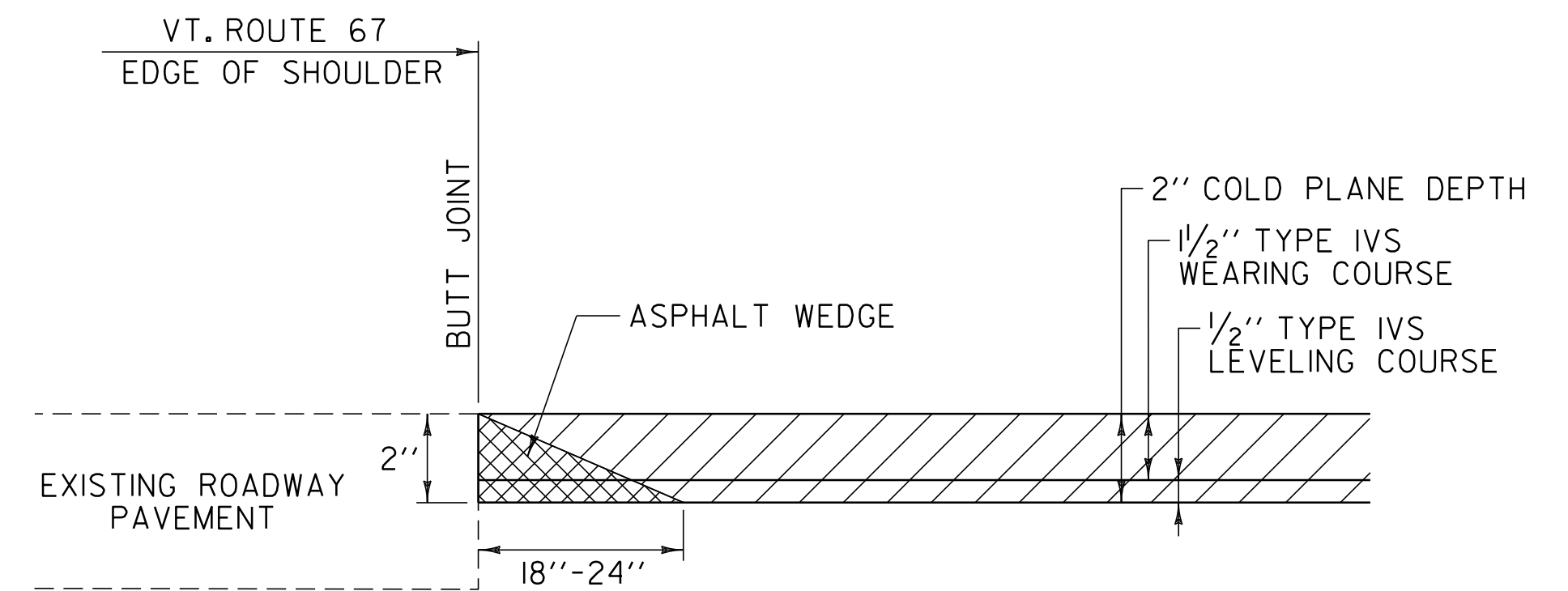


MAINLINE APPROACH AREA DETAIL

NORTH BENNINGTON MM 0.188 = STA 9+92.64 - BEGIN PROJECT
 NORTH BENNINGTON MM 0.664 = STA 35+05.92 - END PROJECT



SIDE ROAD APPROACH AREA DETAIL

NORTH BENNINGTON: BANK STREET LT
 CHURCH STREET RT
 SCHOOL STREET RT
 VT. ROUTE 67A RT
 HOUGHTON STREET RT
 DEPOT STREET RT

NOT TO SCALE

**PAVING
 DETAILS
 SHEET**

PROJECT NAME: BENNINGTON (NORTH BENNINGTON) CLASS I

PROJECT NUMBER: STP 2622(1)

FILE NAME: p06b212.dgn

PLOT DATE: 07-MAY-2012 14:2

PROJECT LEADER: D.E.G.

DRAWN BY: C.A.K.

DESIGNED BY: M.J.M.

CHECKED BY: R.A.B.

DWG. NO. p06b212pd.i

SHEET 52 OF 69