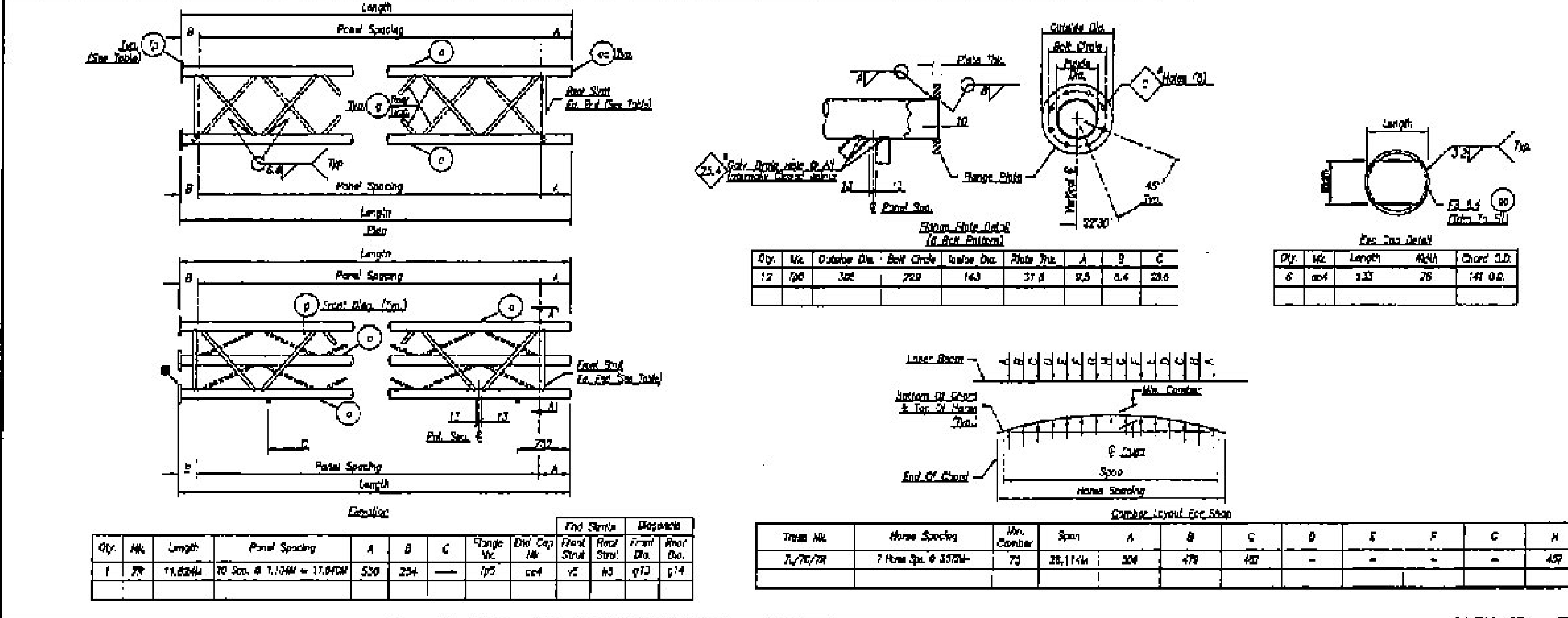


Bill of Material

Qty.	Mat.	Description	Length	Remarks
3	7A	1/2" dia. x 1.184' C. Pipe	11,824H	
2	7B	1/2"	4,824H	
24	9B	80.1 C.S. x 1.18 W. Pipe	1,184H	MR TO 1,184H @ 45-45
48	9A	1/2"	1,184H	MR TO 1,184H @ 45-45
8	10	1/2"	1,184H	MR TO 1,184H @ 45
12	11	1/2"	1,184H	MR TO 1,184H @ 45
8	12	1/2"	1,184H	MR TO 1,184H @ 45
4	13	1/2"	1,184H	MR TO 1,184H @ 45
4	14	1/2"	1,184H	MR TO 1,184H @ 45
4	15	1/2"	1,184H	MR TO 1,184H @ 45
4	16	1/2"	1,184H	MR TO 1,184H @ 45
4	17	1/2"	1,184H	MR TO 1,184H @ 45
4	18	1/2"	1,184H	MR TO 1,184H @ 45
4	19	1/2"	1,184H	MR TO 1,184H @ 45



NOTE: The Truss Section Shall Be Assembled Together With The Girders With It.

■ Show True Section At A-A On The Top Of The Bottom Front Flange.

Refer To Subsection All Details And Items Of Steel Fabric. Section For Steel The Girder To A 1/2" Min. Weld.

All Dimensions Are In Millimeters Unless Otherwise Noted.

MATERIAL SPECIFICATIONS:

Steel: A36, A572 Gr. 50, A572 Gr. 60, A572 Gr. 65, A572 Gr. 70, A572 Gr. 80, A572 Gr. 90, A572 Gr. 100, A572 Gr. 105, A572 Gr. 110, A572 Gr. 115, A572 Gr. 120, A572 Gr. 125, A572 Gr. 130, A572 Gr. 135, A572 Gr. 140, A572 Gr. 145, A572 Gr. 150, A572 Gr. 155, A572 Gr. 160, A572 Gr. 165, A572 Gr. 170, A572 Gr. 175, A572 Gr. 180, A572 Gr. 185, A572 Gr. 190, A572 Gr. 195, A572 Gr. 200, A572 Gr. 205, A572 Gr. 210, A572 Gr. 215, A572 Gr. 220, A572 Gr. 225, A572 Gr. 230, A572 Gr. 235, A572 Gr. 240, A572 Gr. 245, A572 Gr. 250, A572 Gr. 255, A572 Gr. 260, A572 Gr. 265, A572 Gr. 270, A572 Gr. 275, A572 Gr. 280, A572 Gr. 285, A572 Gr. 290, A572 Gr. 295, A572 Gr. 300, A572 Gr. 305, A572 Gr. 310, A572 Gr. 315, A572 Gr. 320, A572 Gr. 325, A572 Gr. 330, A572 Gr. 335, A572 Gr. 340, A572 Gr. 345, A572 Gr. 350, A572 Gr. 355, A572 Gr. 360, A572 Gr. 365, A572 Gr. 370, A572 Gr. 375, A572 Gr. 380, A572 Gr. 385, A572 Gr. 390, A572 Gr. 395, A572 Gr. 400, A572 Gr. 405, A572 Gr. 410, A572 Gr. 415, A572 Gr. 420, A572 Gr. 425, A572 Gr. 430, A572 Gr. 435, A572 Gr. 440, A572 Gr. 445, A572 Gr. 450, A572 Gr. 455, A572 Gr. 460, A572 Gr. 465, A572 Gr. 470, A572 Gr. 475, A572 Gr. 480, A572 Gr. 485, A572 Gr. 490, A572 Gr. 495, A572 Gr. 500, A572 Gr. 505, A572 Gr. 510, A572 Gr. 515, A572 Gr. 520, A572 Gr. 525, A572 Gr. 530, A572 Gr. 535, A572 Gr. 540, A572 Gr. 545, A572 Gr. 550, A572 Gr. 555, A572 Gr. 560, A572 Gr. 565, A572 Gr. 570, A572 Gr. 575, A572 Gr. 580, A572 Gr. 585, A572 Gr. 590, A572 Gr. 595, A572 Gr. 600, A572 Gr. 605, A572 Gr. 610, A572 Gr. 615, A572 Gr. 620, A572 Gr. 625, A572 Gr. 630, A572 Gr. 635, A572 Gr. 640, A572 Gr. 645, A572 Gr. 650, A572 Gr. 655, A572 Gr. 660, A572 Gr. 665, A572 Gr. 670, A572 Gr. 675, A572 Gr. 680, A572 Gr. 685, A572 Gr. 690, A572 Gr. 695, A572 Gr. 700, A572 Gr. 705, A572 Gr. 710, A572 Gr. 715, A572 Gr. 720, A572 Gr. 725, A572 Gr. 730, A572 Gr. 735, A572 Gr. 740, A572 Gr. 745, A572 Gr. 750, A572 Gr. 755, A572 Gr. 760, A572 Gr. 765, A572 Gr. 770, A572 Gr. 775, A572 Gr. 780, A572 Gr. 785, A572 Gr. 790, A572 Gr. 795, A572 Gr. 800, A572 Gr. 805, A572 Gr. 810, A572 Gr. 815, A572 Gr. 820, A572 Gr. 825, A572 Gr. 830, A572 Gr. 835, A572 Gr. 840, A572 Gr. 845, A572 Gr. 850, A572 Gr. 855, A572 Gr. 860, A572 Gr. 865, A572 Gr. 870, A572 Gr. 875, A572 Gr. 880, A572 Gr. 885, A572 Gr. 890, A572 Gr. 895, A572 Gr. 900, A572 Gr. 905, A572 Gr. 910, A572 Gr. 915, A572 Gr. 920, A572 Gr. 925, A572 Gr. 930, A572 Gr. 935, A572 Gr. 940, A572 Gr. 945, A572 Gr. 950, A572 Gr. 955, A572 Gr. 960, A572 Gr. 965, A572 Gr. 970, A572 Gr. 975, A572 Gr. 980, A572 Gr. 985, A572 Gr. 990, A572 Gr. 995, A572 Gr. 1000.

Brookfield Fabricating Corp

P.O. Box 404 - Brookfield, Vermont 05601 - (802) 888-1214

F.R. Lepage, Inc.

NY 018-104
Burlington County Vermont

Publication Details Of This Drawing: See Section 101.00

Y:\states\VT\11800-11999\11862\11862 Part 5\11862008.dwg

RECEIVED

FEB 7 2012

G.P.I.