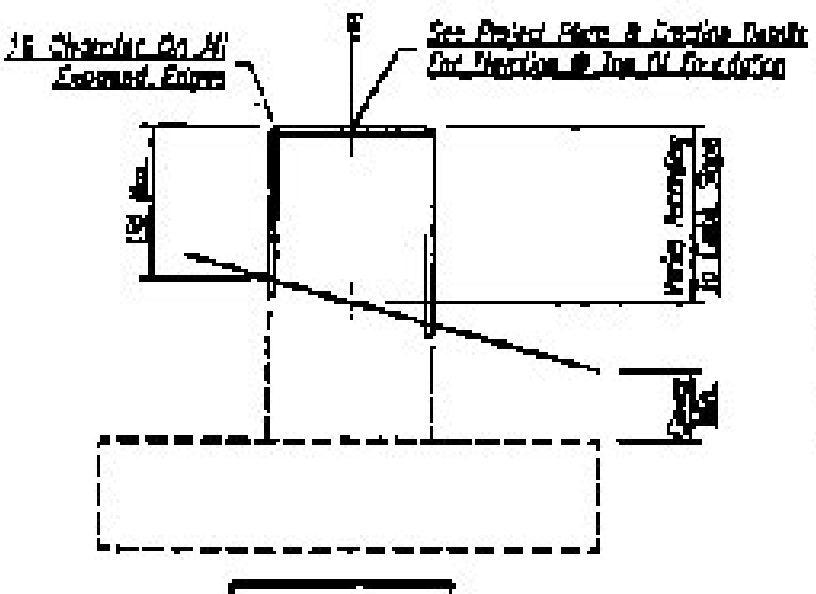
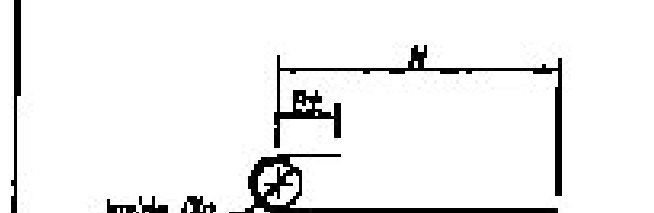


- NOTES:**
1. Foundation Shall Be Reinforced With 4 #4 Bars At 12" On Center. Foundation Height Shall Be 24" Above Ground Level.
 2. Foundation Shall Be Reinforced With 4 #4 Bars At 12" On Center. Foundation Height Shall Be 24" Above Ground Level.
 3. Foundation Shall Be Reinforced With 4 #4 Bars At 12" On Center. Foundation Height Shall Be 24" Above Ground Level.
 4. Foundation Shall Be Reinforced With 4 #4 Bars At 12" On Center. Foundation Height Shall Be 24" Above Ground Level.
 5. Foundation Shall Be Reinforced With 4 #4 Bars At 12" On Center. Foundation Height Shall Be 24" Above Ground Level.
 6. Foundation Shall Be Reinforced With 4 #4 Bars At 12" On Center. Foundation Height Shall Be 24" Above Ground Level.



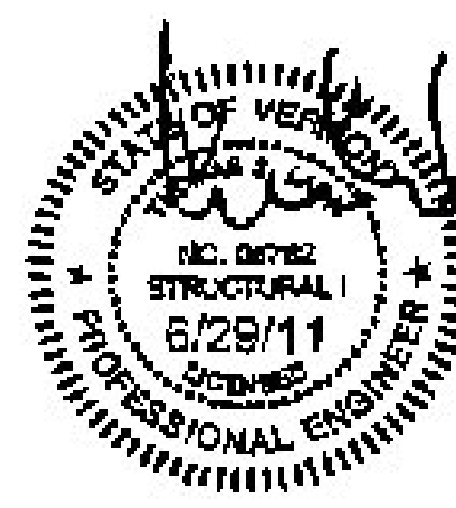
| Bar No. | Bar Size | Length |
|---------|----------|--------|
| F1 | #4 | 1.000M |
| F2 | #4 | 1.000M |
| F3 | #4 | 1.000M |
| F4 | #4 | 1.000M |



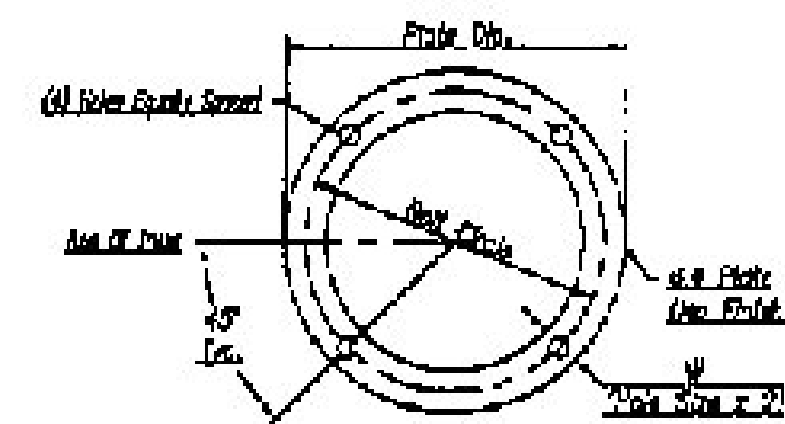
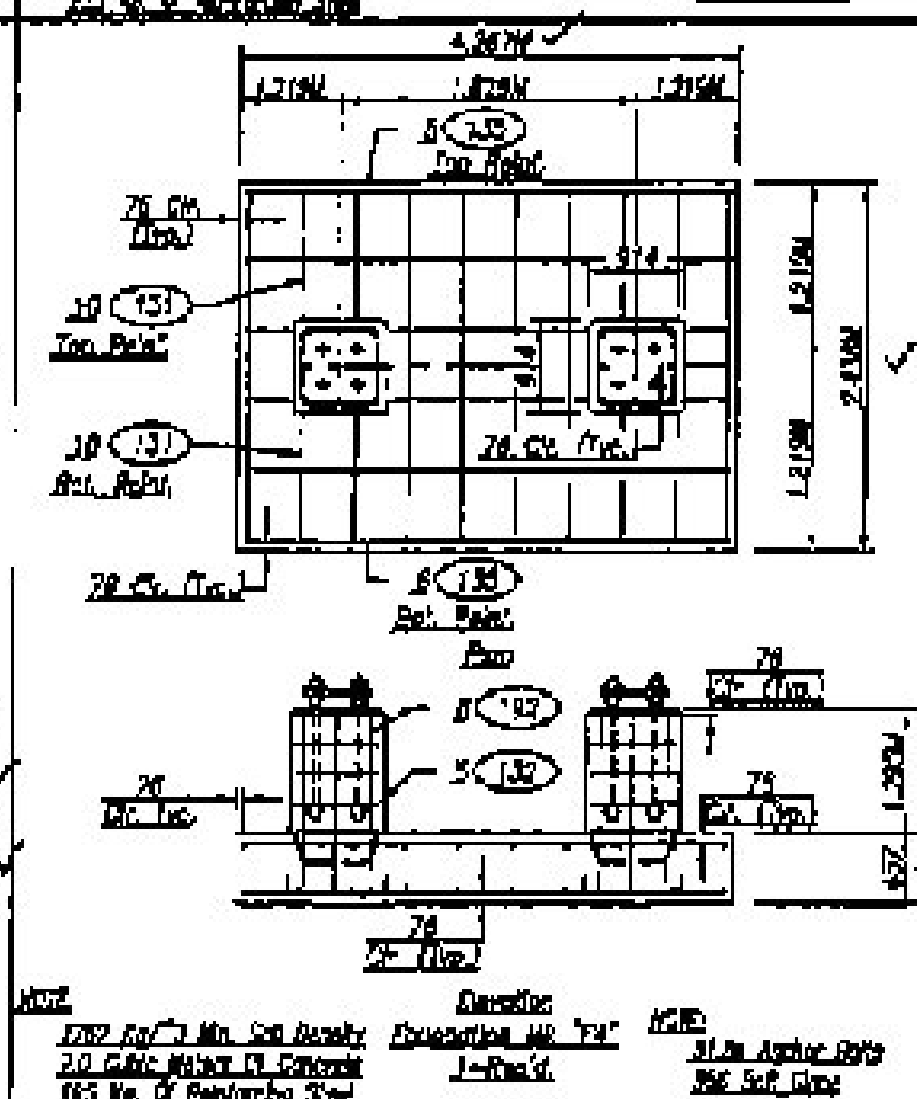
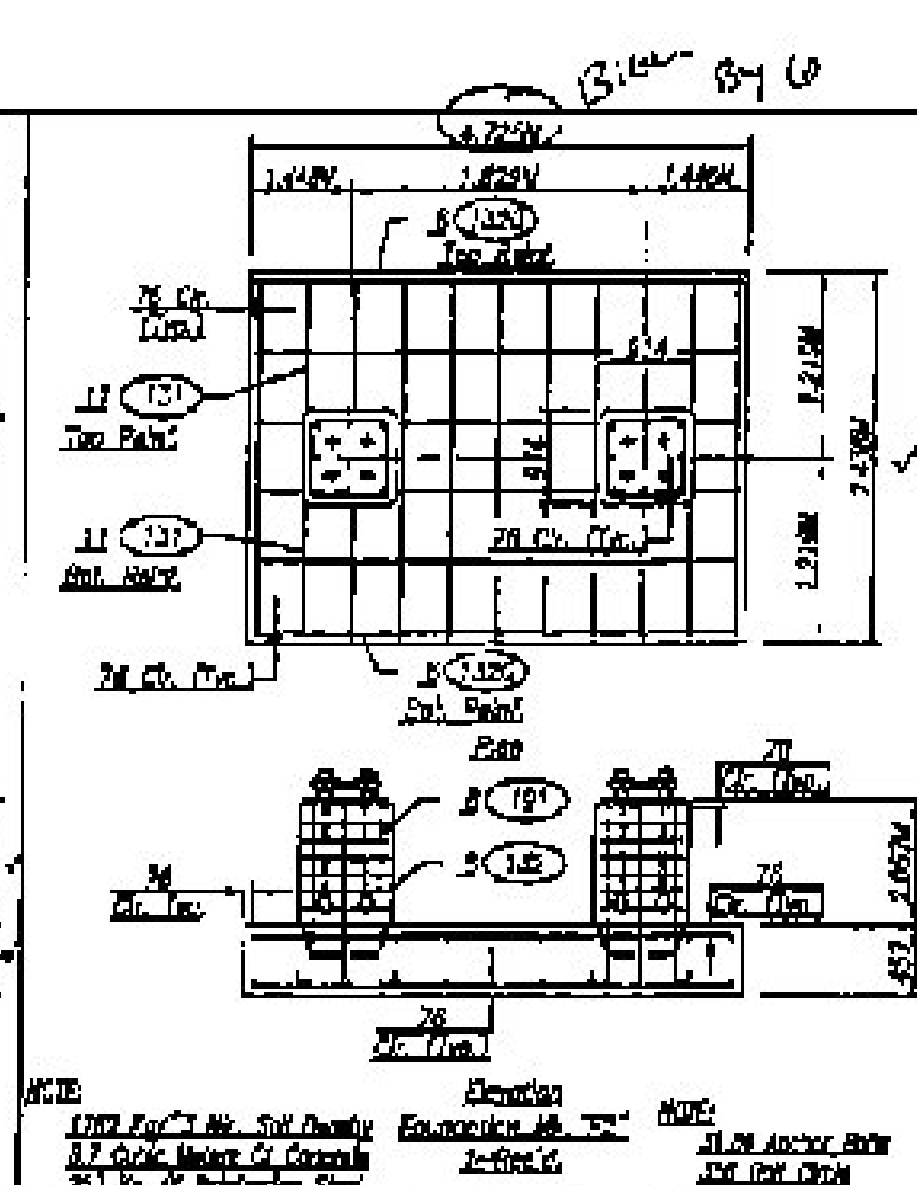
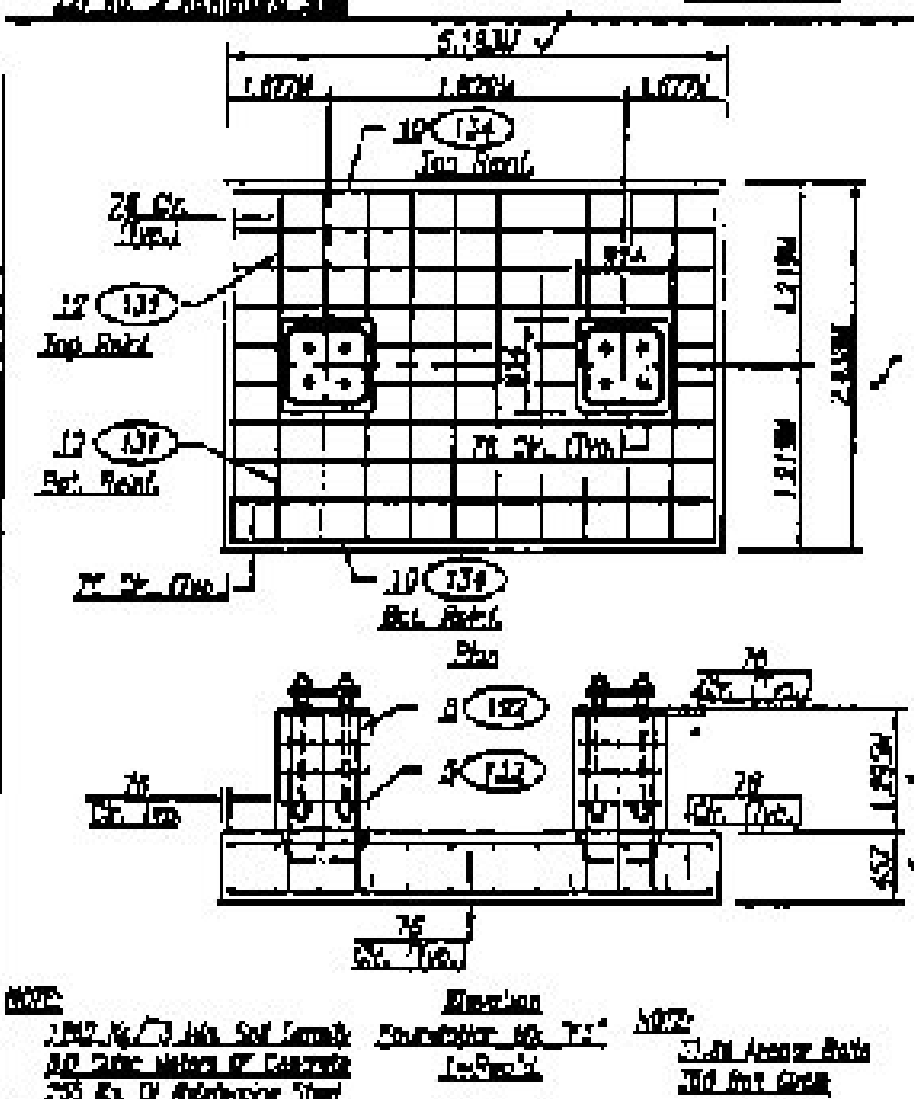
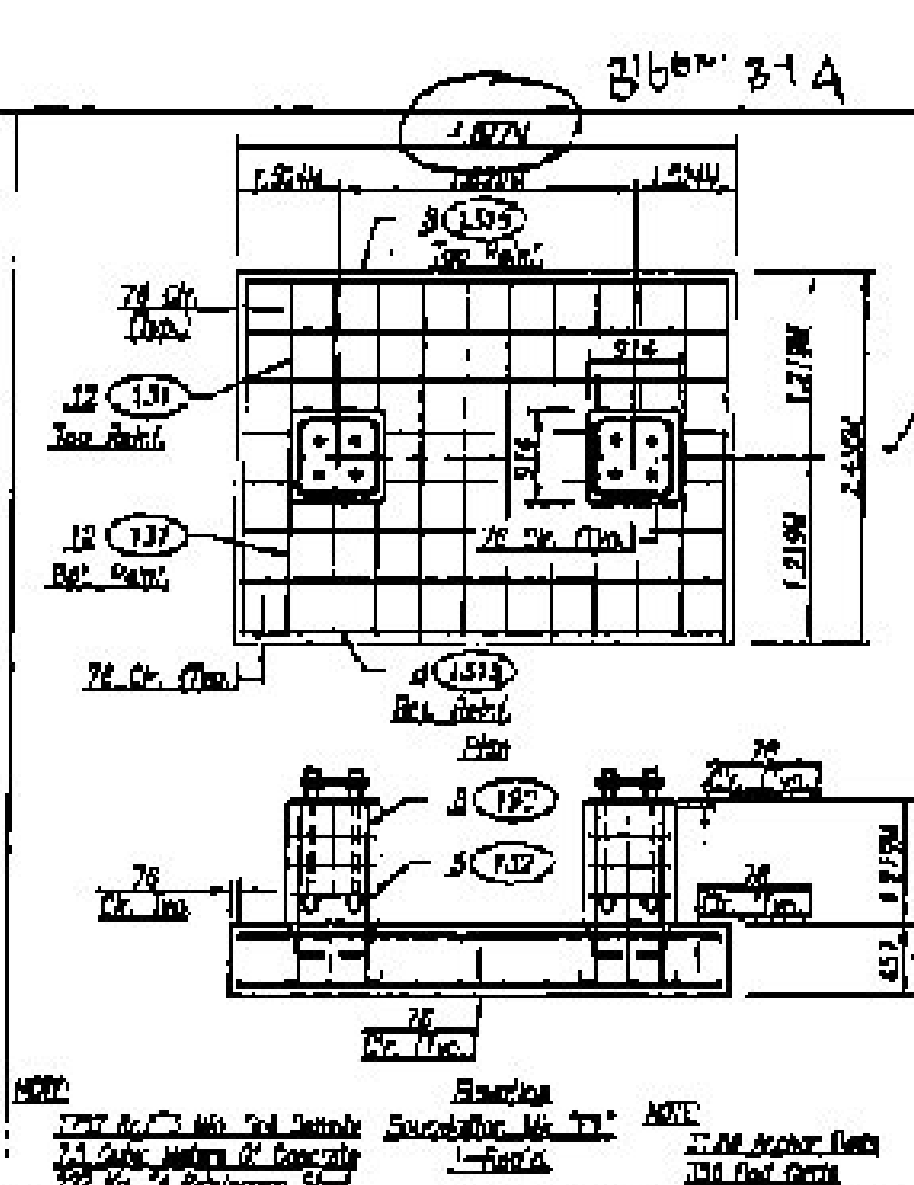
| Qty. | Bar No. | Bar Size | Length |
|------|---------|----------|--------|
| 16 | F1 | #4 | 1.000M |
| 16 | F2 | #4 | 1.000M |
| 16 | F3 | #4 | 1.000M |
| 16 | F4 | #4 | 1.000M |

| Qty. | Bar No. | Bar Size | Length |
|------|---------|----------|--------|
| 16 | F1 | #4 | 1.000M |
| 16 | F2 | #4 | 1.000M |
| 16 | F3 | #4 | 1.000M |
| 16 | F4 | #4 | 1.000M |

| Qty. | Bar No. | Bar Size | Length |
|------|---------|----------|--------|
| 16 | F1 | #4 | 1.000M |
| 16 | F2 | #4 | 1.000M |
| 16 | F3 | #4 | 1.000M |
| 16 | F4 | #4 | 1.000M |



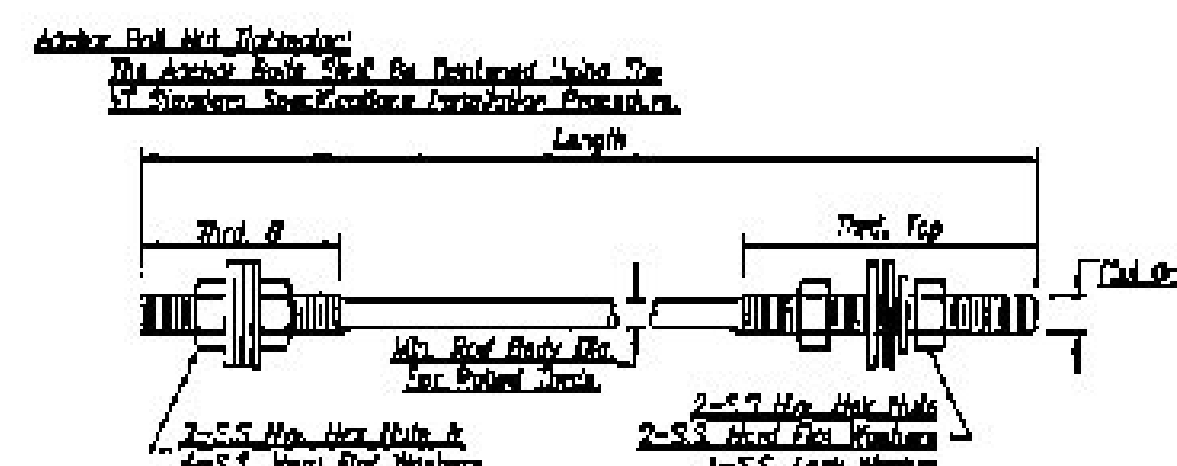
Reinforcement Schedule
Steel Reinforcement Bars Shall Meet The Requirements Of A.S.T.M. A615-99a, Gr.60



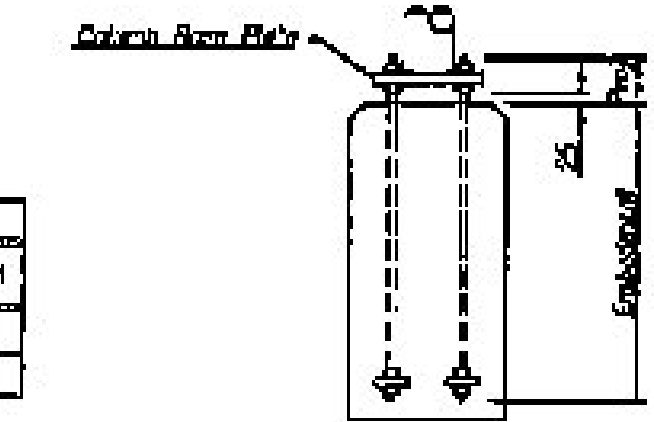
| Qty. | Bar No. | Bar Size | Length |
|------|---------|----------|--------|
| 12 | F1 | #4 | 1.000M |
| 12 | F2 | #4 | 1.000M |
| 12 | F3 | #4 | 1.000M |

* Reinforcement
Reinforcement shall be placed in the concrete slab at the corners of the foundation.

* Reinforcement
Reinforcement shall be placed in the concrete slab at the corners of the foundation.



| Qty. | Bar No. | Bar Size | Length |
|------|---------|----------|--------|
| 16 | F1 | #4 | 1.000M |
| 16 | F2 | #4 | 1.000M |
| 16 | F3 | #4 | 1.000M |
| 16 | F4 | #4 | 1.000M |



Brookfield Fabricating Corp
P.O. Box 200 - Brookfield, Vermont 05701-0200
F.P. Lathrop, Inc.
44 010-1054
Sutton County, Vermont

Reinforcement Details Of Slab Packages For Double Pole Towers
Reinforcement Details Of Anchor Bolts & Ties

RECEIVED
FEB 7 2012
G.P.I.