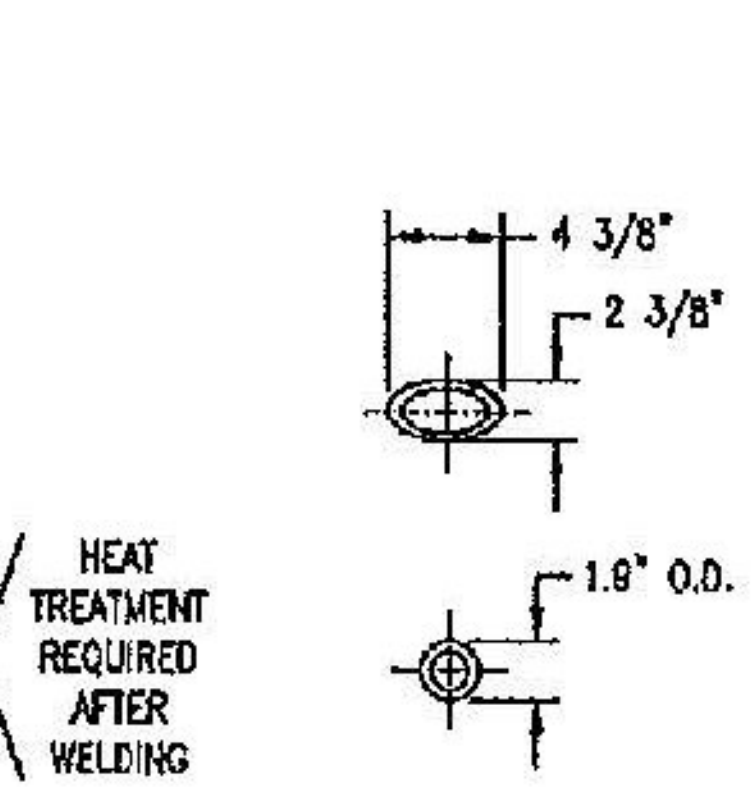
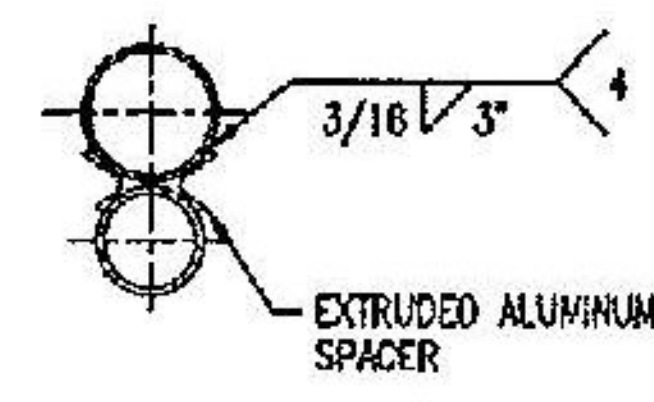


LUMINAIRE ARM CONNECTION DETAIL

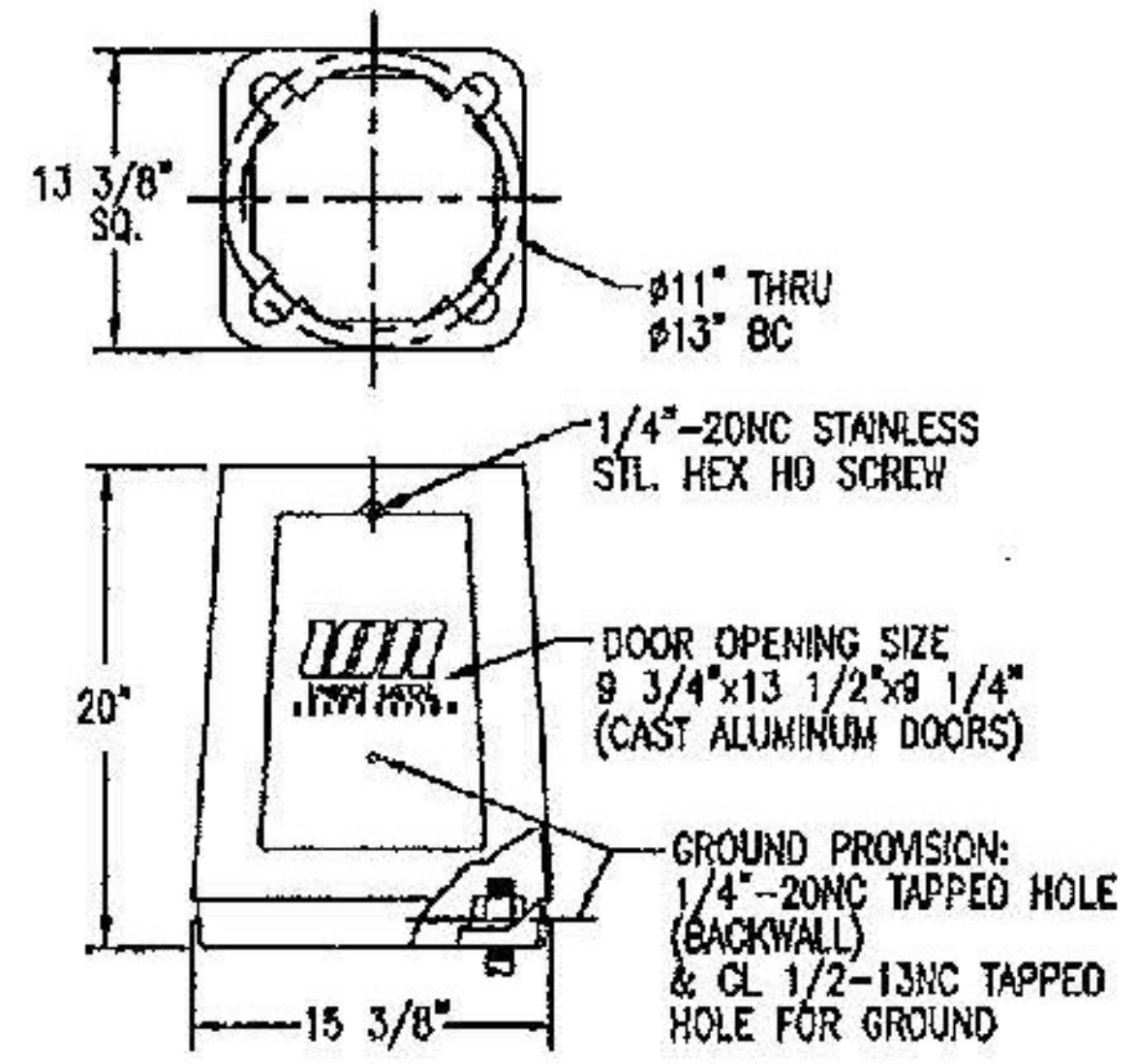
SECTION A-A



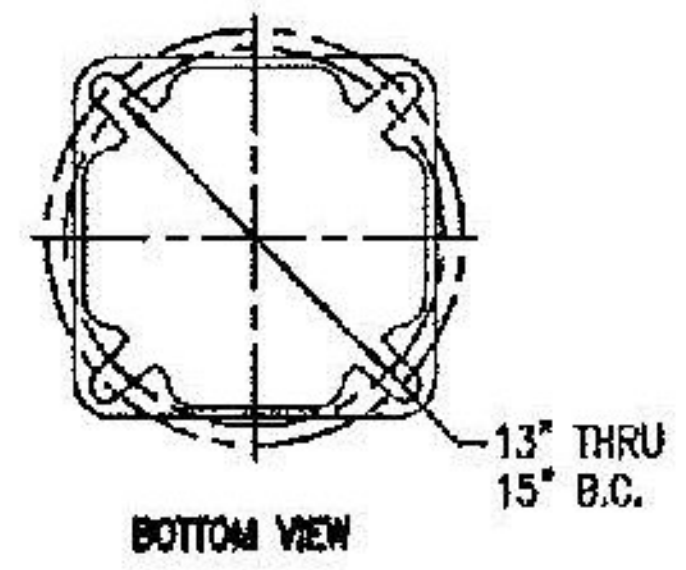
SECTION THRU ARMS (AT POLE)



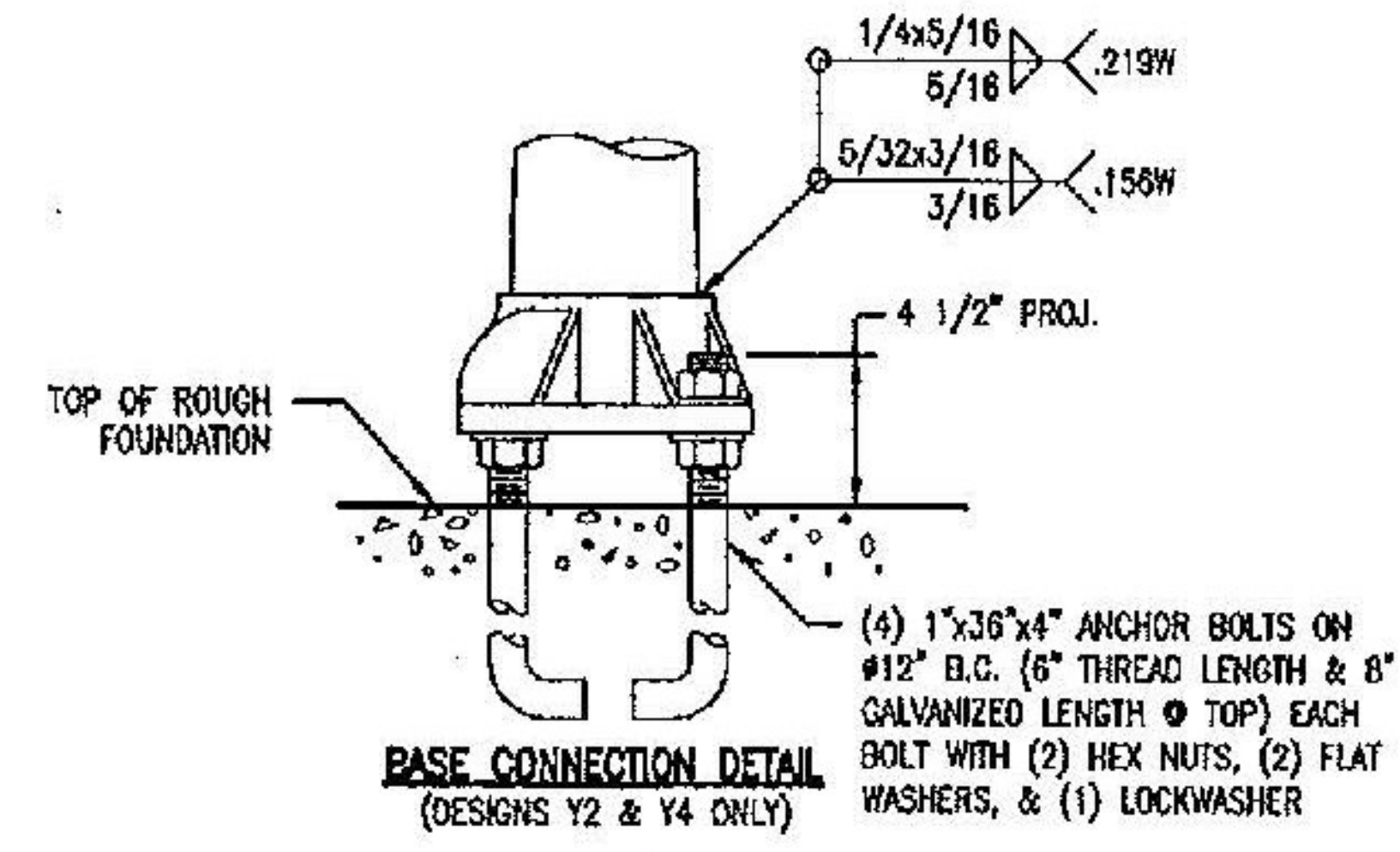
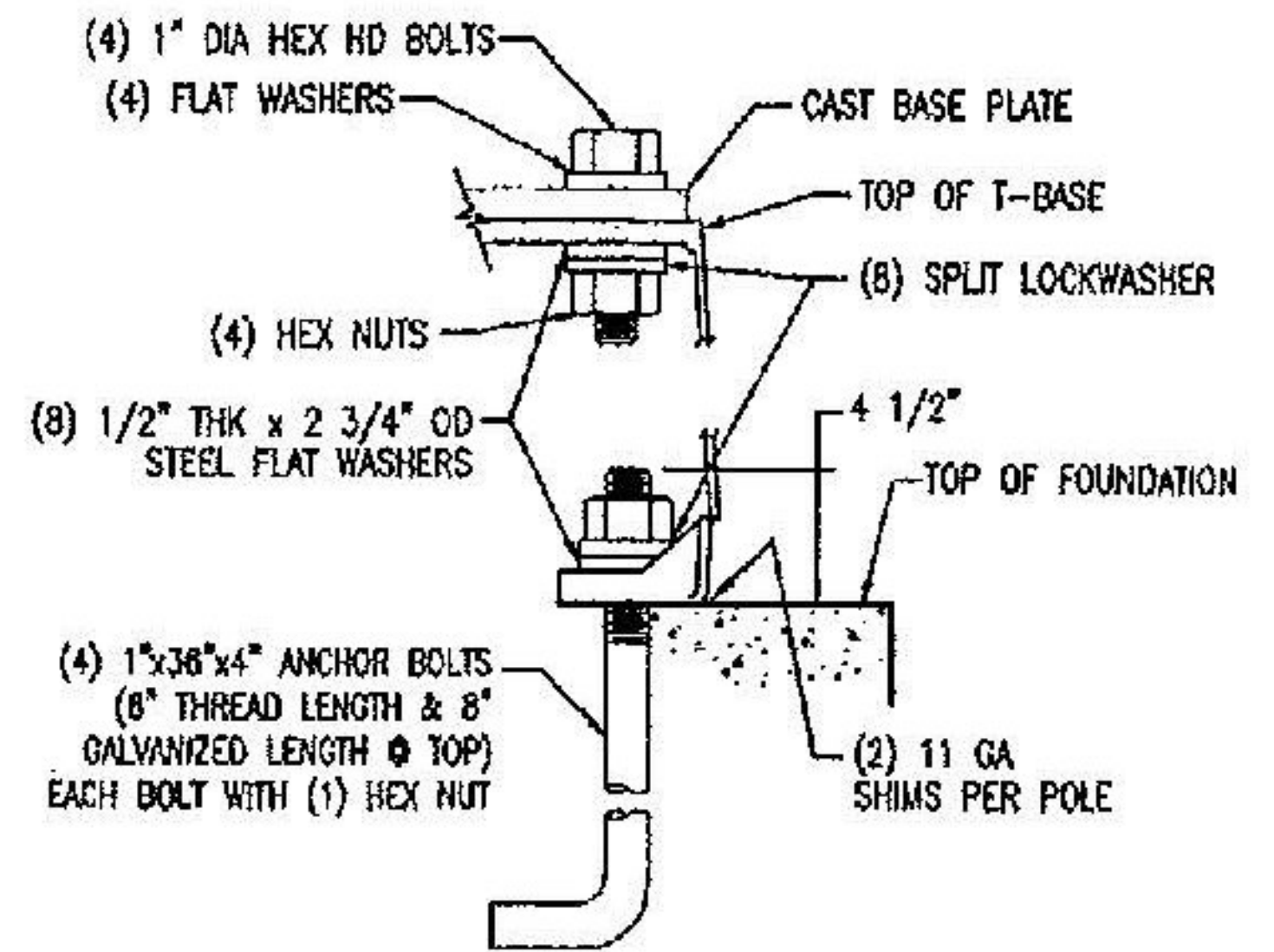
EXTRUDED ALUMINUM SPACER DETAIL



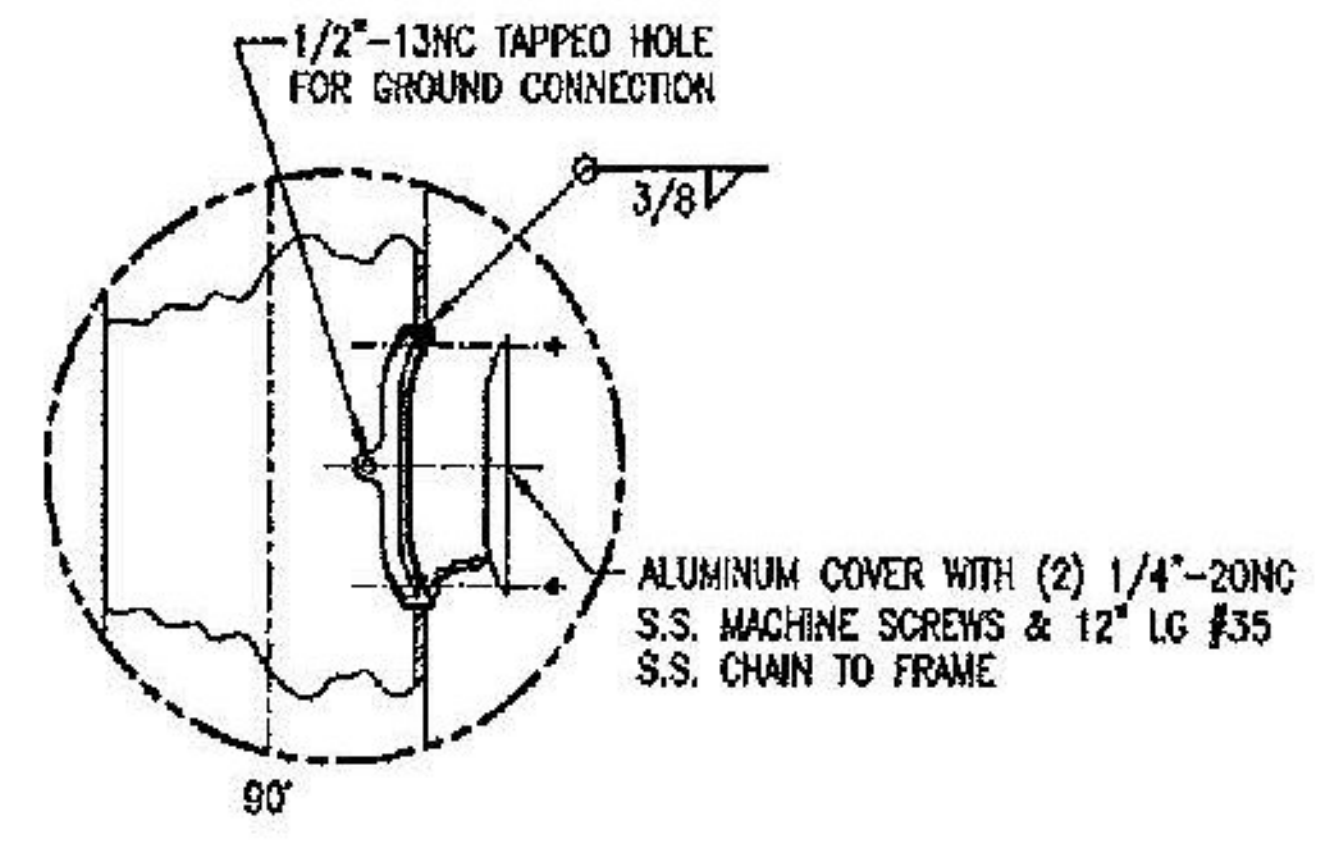
T-BASE CONNECTION DETAIL
(AKRON FOUNDRY TB1-20)
(DESIGNS Y1, Y3, Y5 & Y6)



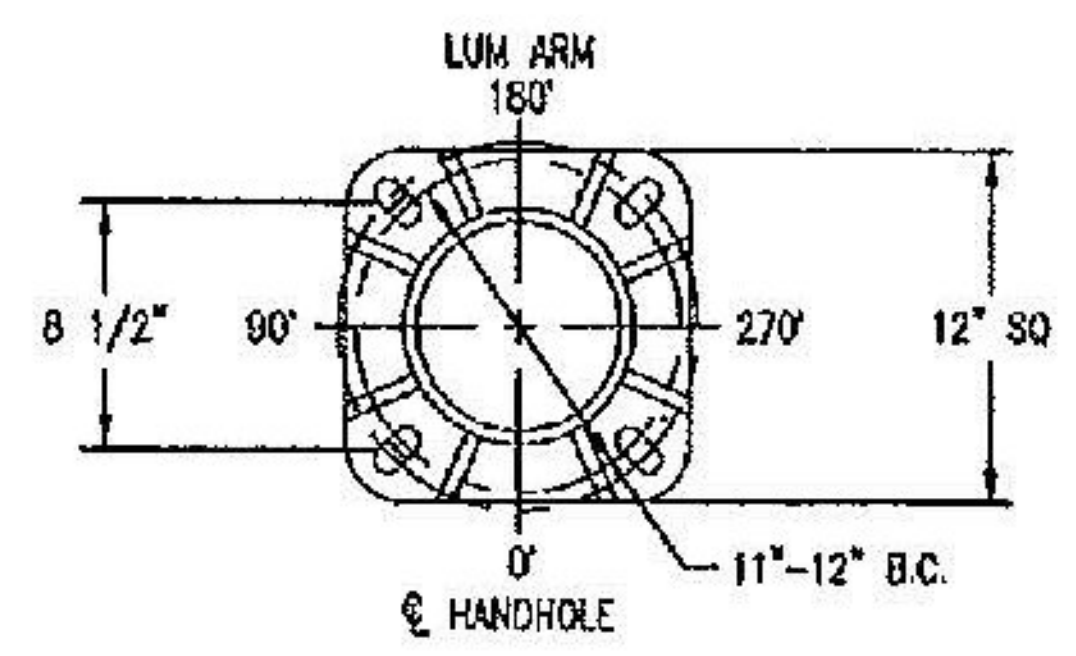
BOTTOM VIEW



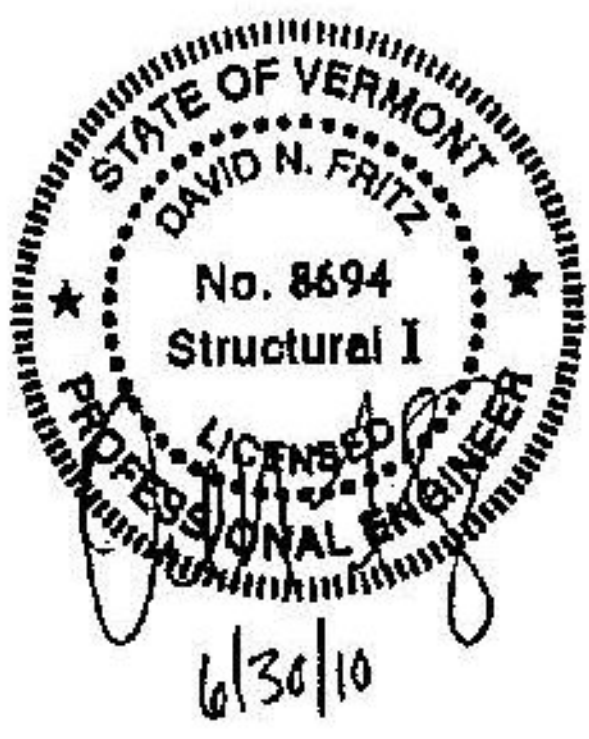
BASE CONNECTION DETAIL
(DESIGNS Y2 & Y4 ONLY)



4" x 8" CURVED HANDHOLE DETAIL



CAST BASE DETAIL
(AKRON FOUNDRY B-1002)
(ALL DESIGNS)



STATE: VERMONT	REQ / SO# : 33447-1	REV	DESCRIPTION	DATE	REV BY/CHK BY
PROJECT NAME: US ROUTE 7		REVISIONS			
ALUMINUM ROADWAY LIGHTING POLES FOR BENNINGTON, VERMONT					
	This document and the contents herein are proprietary and the property of Union Metal Corporation. This document is not to be copied, reproduced, or used for any reason except for the purposes which it was issued without the express written consent of Union Metal Corporation. Furthermore Union Metal Corporation reserves the right to recall this document and all copies at any time for any reason.	DESIGNED BY	CHECKED BY	DATE	SCALE
		GCH	WAD/RSR	6/22/10	NTS
		156-B42		RO	DWG REF 156-830
					SHEET 2 OF 2