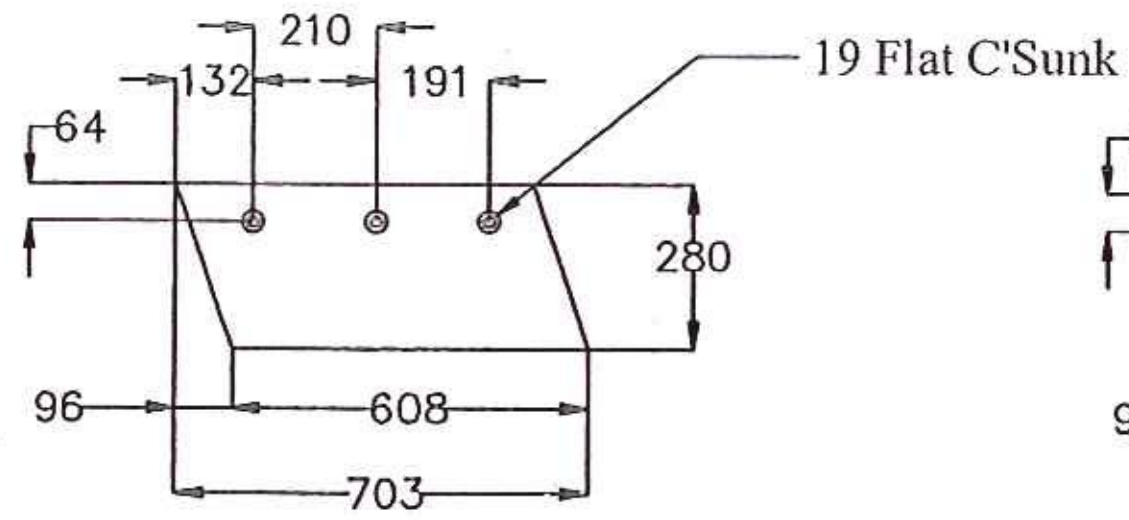
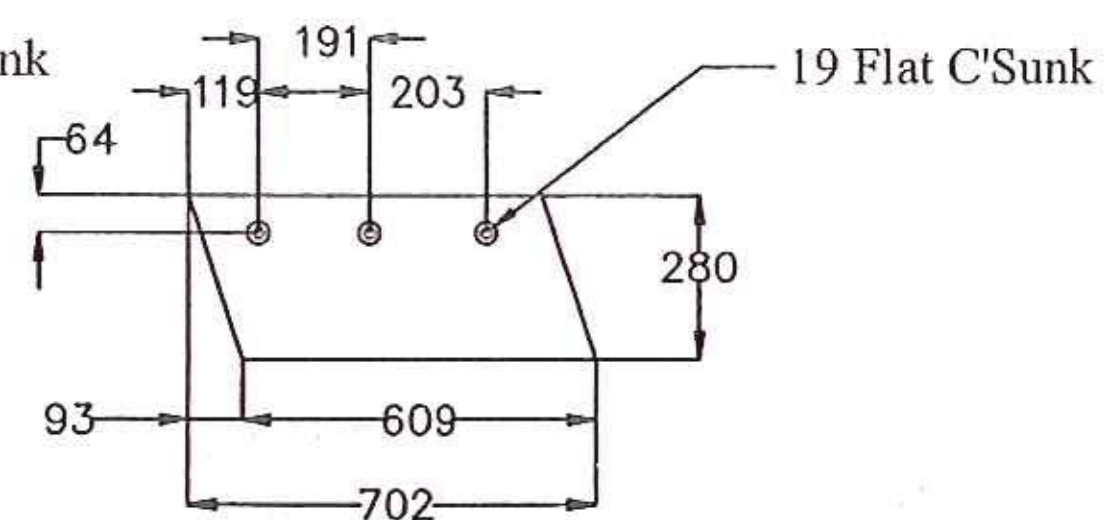


(1) - 8C1 REMOVABLE CURB PLATES
 (1) - 8C2 REMOVABLE CURB PLATES
ABUTMENT 1

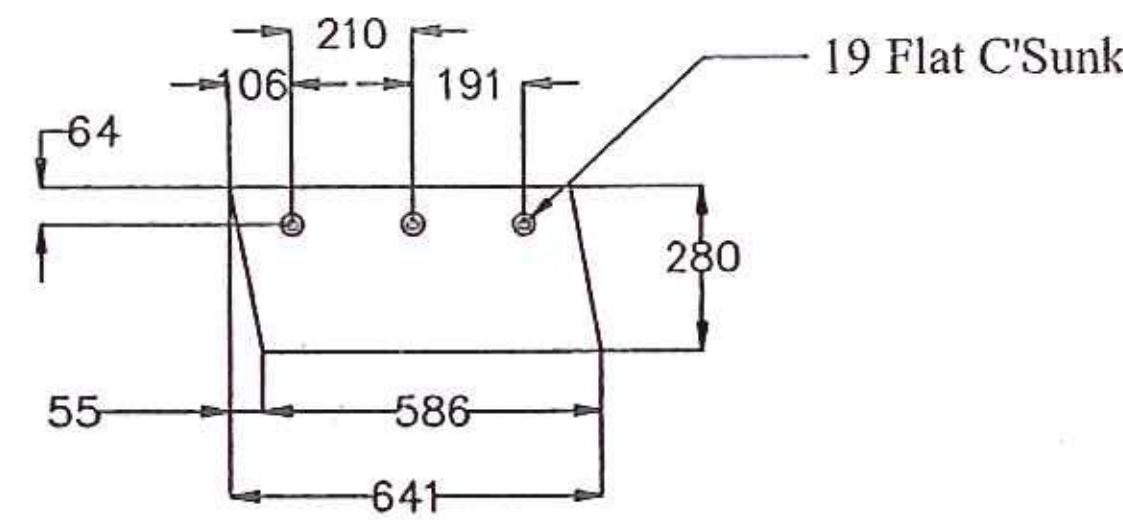
(1) - 8C3 REMOVABLE CURB PLATES
 (1) - 8C4 REMOVABLE CURB PLATES
ABUTMENT 2



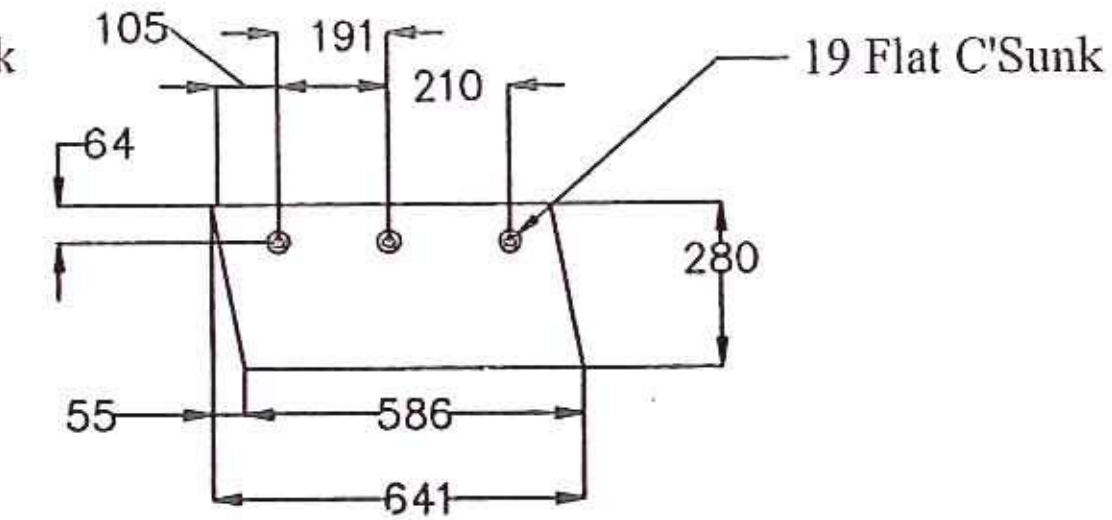
1 - 8p1 DETAIL



1 - 8p4 DETAIL



1 - 8p10 DETAIL



1 - 8p7 DETAIL

REVISIONS ARE REVIEWED UNLESS NOTED OTHERWISE

NO EXCEPTION TAKEN	<input checked="" type="checkbox"/>
REVISE AS NOTED	<input type="checkbox"/>
RESUBMISSION NOT REQUIRED	<input type="checkbox"/>
REVISE AS NOTED	<input type="checkbox"/>
RESUBMISSION REQUIRED	<input type="checkbox"/>
REJECTED	<input type="checkbox"/>

DATE: 7/24/10

SIGNATURE: *Medraal Chivette*

REVIEW BY STANTEC IS FOR THE SOLE PURPOSE OF ASCERTAINING GENERAL CONFORMITY WITH DESIGN. CONTRACTOR IS RESPONSIBLE FOR DIMENSIONS, FABRICATION AND CONSTRUCTION METHODS, COORDINATION OF SUB-TRADES, DETAIL DESIGN OF COMPONENTS, AND ERRORS OR OMISSIONS ON SHOP DRAWINGS.

REV NO.	DATE	DESCRIPTION
1	7-14-2010	REVISED PER APPROVAL COMMENTS
0	6-21-2010	SUBMITTED FOR APPROVAL

HOLES AS NOTED

MATERIAL: AASHTO M 270M/M270 GRADE 250 GALV

BILL OF MATERIALS				
QTY	MARK	SHAPE	LENGTH	REMARKS
1	8C1	REMOVABLE CURB (Low Side)		
1	8p1	Plate 13 x 280	703	
1	8p2	Plate 13 x 225	296	
1	8p3	Plate 13 x 308	296	
3		Flat C'Sunk Cap Screw (Glav)		
		19 x 38 Lg with Nut		
1	8C2	REMOVABLE CURB (Low Side)		
1	8p4	Plate 13 x 280	702	
1	8p5	Plate 13 x 222	296	
1	8p6	Plate 13 x 211	296	
3		Flat C'Sunk Cap Screw (Glav)		
		19 x 38 Lg with Nut		
1	8C3	REMOVABLE CURB (Low Side)		
1	8p7	Plate 13 x 280	641	
1	8p8	Plate 13 x 225	285	
1	8p9	Plate 13 x 308	285	
3		Flat C'Sunk Cap Screw (Glav)		
		19 x 38 Lg with Nut		
1	8C4	REMOVABLE CURB (High Side)		
1	8p10	Plate 13 x 280	641	
1	8p11	Plate 13 x 223	285	
1	8p12	Plate 13 x 211	285	
3		Flat C'Sunk Cap Screw (Glav)		
		19 x 38 Lg with Nut		

METRIC

DRAWING COVERS

CURB REMOVABLE PLATES - BRIDGE 14A

PROJECT	BENNINGTON
LOCATION	RAMP O/S OVER VT ROUTE 279 WB
ENGINEER	STATE OF VERMONT AOT / STANTEC
CUSTOMER	MILLER CONSTRUCTION

MERRIMACK SHEET METAL

119 HALL STREET
 CONCORD NH 03301

Tel. 603.224.7766
 Fax 603.224.7925

DRAWN BY: RL
 CHECKED BY: JD
 JOB NO. #3374
 DWG: F8