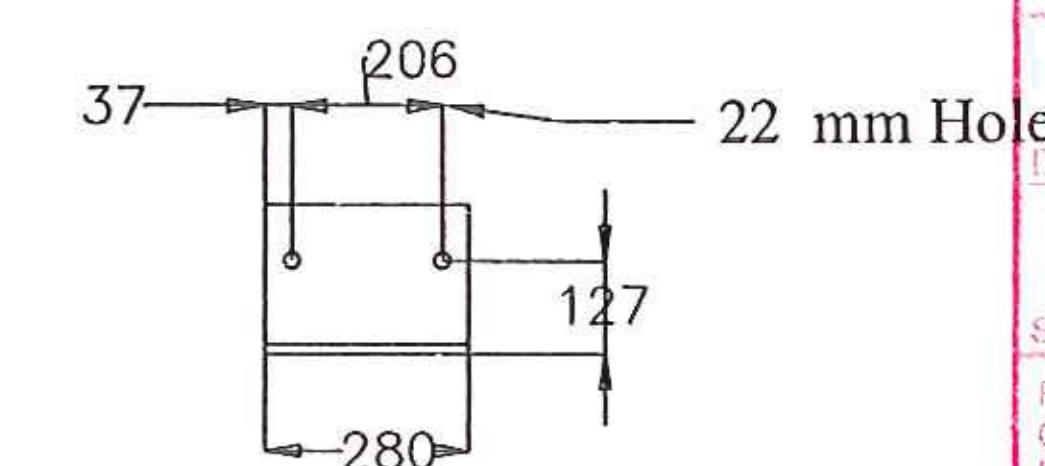
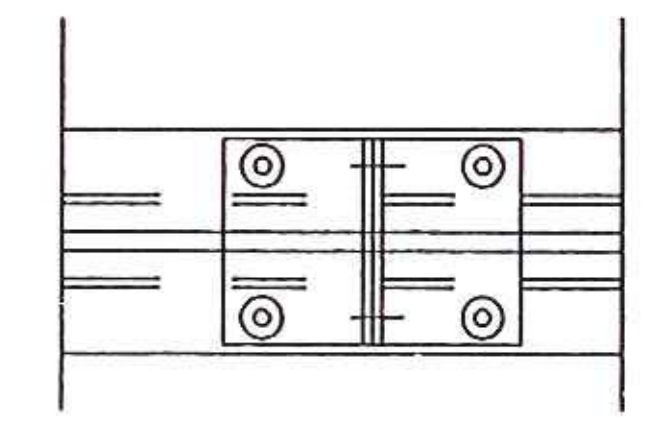
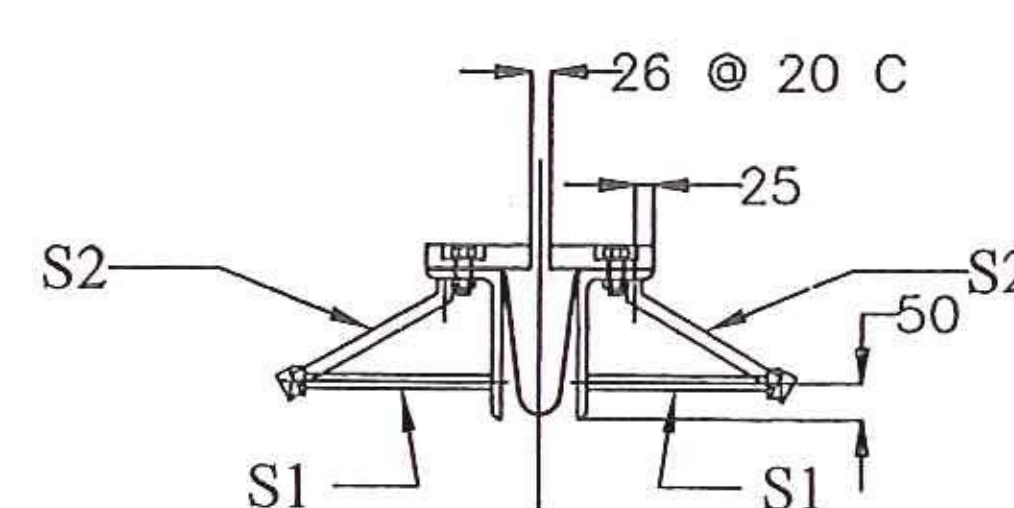


BILL OF MATERIALS				
QTY	MARK	SHAPE	LENGTH	REMARKS
1	2J1	VERMONT JOINT ASSEMBLY		
1	2a1	L 203 x 102 x 13	15624	
1	2a2	L 203 x 102 x 13	15624	
52	S1	19 x 250 Welded Stud		Str
52	S2	19 x 250 Welded Stud		Bent
2	2r1	2 x 75 Butyl Rubber x 15512		
7	3S1	SUPPORT PLATES		
7	3S2	SUPPORT PLATES		
1	4T2	TROUGH		
1	6P1	JOINT PLATE		
1	6P2	JOINT PLATE		
1	6P3	JOINT PLATE		
1	6P4	JOINT PLATE		
1	8C3	REMOVABLE CURB PLATES		
1	8C4	REMOVABLE CURB PLATES		
1	9C1	CURB PLATES		
1	9C2	CURB PLATES		
1	10M2	MEDIAN PLATES		
1	11D2	DOWNSPOUT		
10	2a7	L 203 x 203 x 13	280	
20		Bolt 19 x 89 Lg		
10		Bolt 19 x 51 Lg w/ Nut		



ALL DRAWINGS ARE REVIEWED UNLESS NOTED OTHERWISE

NO EXCEPTION TAKEN	<input checked="" type="checkbox"/>
REVISE AS NOTED	<input type="checkbox"/>
RESUBMISSION NOT REQUIRED	<input type="checkbox"/>
REVISE AS NOTED	<input type="checkbox"/>
RESUBMISSION REQUIRED	<input type="checkbox"/>
REJECTED	<input type="checkbox"/>

DATE: 7/21/10

SIGNATURE: Michael Arnitt

REVIEW BY STANTEC IS FOR THE SOLE PURPOSE OF ASCERTAINING GENERAL CONFORMITY WITH DESIGN. CONTRACTOR IS RESPONSIBLE FOR DIMENSIONS, FABRICATION AND CONSTRUCTION METHODS, COORDINATION OF SUB-TRADES, DETAIL DESIGN OF COMPONENTS, AND ERRORS OR OMISSIONS ON SHOP DRAWINGS.

REV NO.	DATE	DESCRIPTION
1	7-14-2010	REVISED PER APPROVAL COMMENTS
0	6-21-2010	SUBMITTED FOR APPROVAL

HOLES AS NOTED

MATERIAL: AASHTO M 270M/M270 GRADE 250 GALV

DRAWING COVERS

EXPANSION JOINT LAYOUT 14A - ABUTMENT 2

PROJECT	BENNINGTON
LOCATION	RAMP G/S OVER VT ROUTE 279 WB
ENGINEER	STATE OF VERMONT AOT / STANTEC
CUSTOMER	MILLER CONSTRUCTION

MERRIMACK SHEET METAL

119 HALL STREET  
CONCORD NH 03301

Tel. 603.224.7766  
Fax 603.224.7925

DRAWN BY: RL  
CHECKED BY: JD  
JOB NO. #3374  
DWG. F2

METRIC