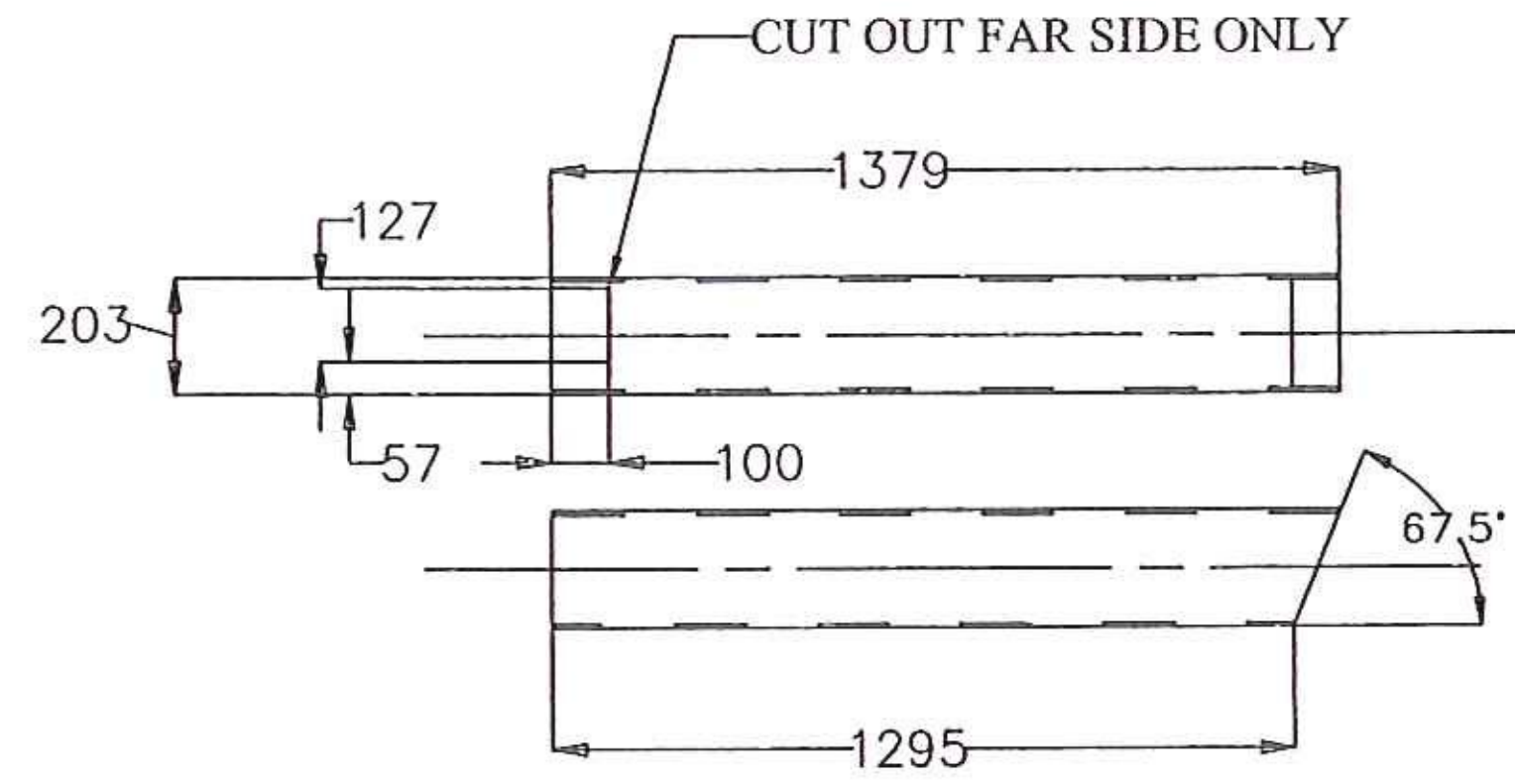
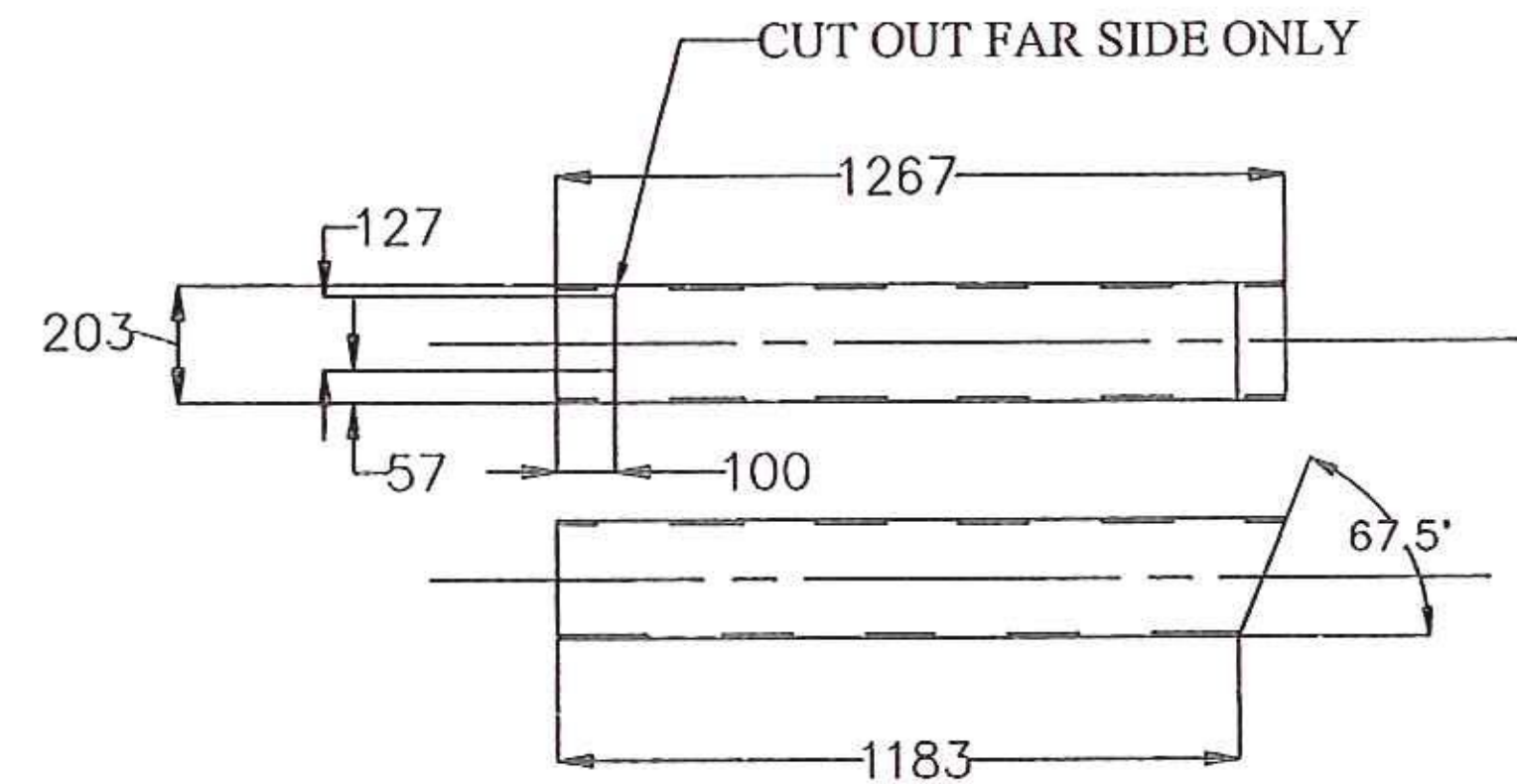


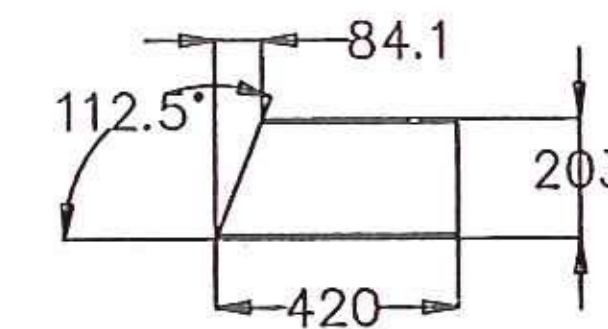
ELEVATION VIEW
 (1) 1D1 - DOWNSPOUT ABUTMENT 1
 (1) 1D2 - DOWNSPOUT ABUTMENT 2



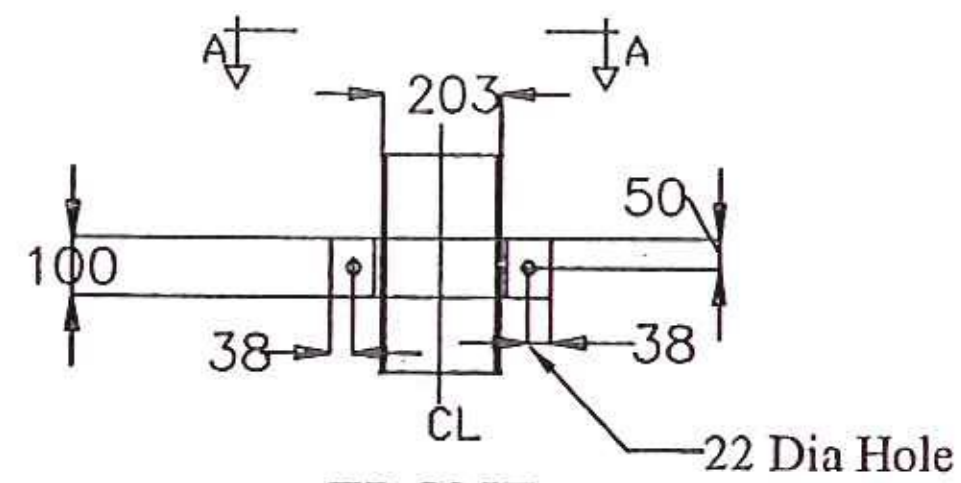
(1) - 11t1 DETAIL



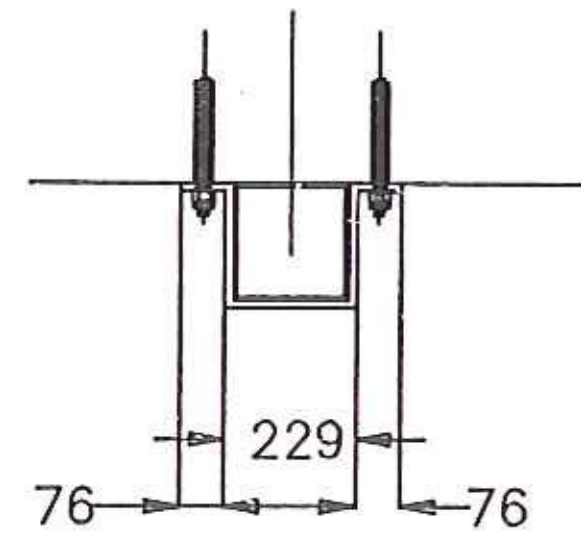
(1) - 11t2 DETAIL



(2) - 11t3 DETAIL



FRONT



(4) - 11b1 DETAIL

ALL DRAWINGS ARE REVIEWED UNLESS NOTED OTHERWISE

NO EXCEPTION TAKEN	<input checked="" type="checkbox"/>
REVISE AS NOTED RESUBMISSION NOT REQUIRED	<input type="checkbox"/>
REVISE AS NOTED RESUBMISSION REQUIRED	<input type="checkbox"/>
REJECTED	<input type="checkbox"/>

DATE: 7/21/10

SIGNATURE: *Michael Chynette*

REVIEW BY STANTEC IS FOR THE SOLE PURPOSE OF ASCERTAINING GENERAL CONFORMITY WITH DESIGN. CONTRACTOR IS RESPONSIBLE FOR DIMENSIONS, FABRICATION AND CONSTRUCTION METHODS, COORDINATION OF SUB-TRADES, DETAIL DESIGN OF COMPONENTS, AND ERRORS OR OMISSIONS ON SHOP DRAWINGS.

BILL OF MATERIALS				
QTY	MARK	SHAPE	LENGTH	REMARKS
1	11D1	DOWNSPOUT		
2	11b1	Bar 10 x 100 x	787	BENT
1	11t1	Tube 203 x 203 x 6	1379	
1	11t3	Tube 203 x 203 x 6	420	
4		Anchor Bolt x 19 Dia x 225 Lg with Nut & Washer		
1	11D2	DOWNSPOUT		
2	11b1	Bar 10 x 100 x	787	BENT
1	11t2	Tube 203 x 203 x 6	1267	
1	11t3	Tube 203 x 203 x 6	420	
4		Anchor Bolt x 19 Dia x 225 Lg with Nut & Washer		

Notes

- Structural Steel Tubing shall conform to ASTM A500 Grade B.
- All Plates, Bars, and Angles shall conform to AASHTO M 270M/M270 Grade 250.
- All Bolts and related hardware shall conform to Section 714.04 and shall be galvanized.

METRIC

DRAWING COVERS	
DOWNSPOUT - BRIDGE 14A	
PROJECT	BENNINGTON
LOCATION	RAMP O/S OVER VT ROUTE 279 WB
ENGINEER	STATE OF VERMONT AOT / STANTEC
CUSTOMER	MILLER CONSTRUCTION

REV NO.	DATE	DESCRIPTION
1	7-14-2010	REVISED PER APPROVAL COMMENTS
0	6-21-2010	SUBMITTED FOR APPROVAL

HOLES AS NOTED

MATERIAL: AASHTO M 270M/M270 GRADE 250 GALV

MERRIMACK SHEET METAL

119 HALL STREET
 CONCORD NH 03301

Tel. 603.224.7766
 Fax 603.224.7925

DRAWN BY:	RL
CHECKED BY:	JD
JOB NO.:	#3374
DWG.:	F11