

BILL OF MATERIALS				
QTY	MARK	SHAPE	LENGTH	REMARKS
1	1J1	VERMONT JOINT ASSEMBLY		
1	1a1	L 203 x 102 x 13	16225	
1	1a2	L 203 x 102 x 13	16225	
54	S1	19 x 250 Welded Stud		Str
54	S2	19 x 250 Welded Stud		Bent
2	1r1	2 x 75 Butyl Rubber x 16338		
7	3S1	SUPPORT PLATES		
7	3S2	SUPPORT PLATES		
1	4T1	TROUGH		
1	5P1	JOINT PLATE		
1	5P2	JOINT PLATE		
1	5P3	JOINT PLATE		
1	5P4	JOINT PLATE		
1	7C1	CURB PLATES		
1	7C2	CURB PLATES		
1	8C1	REMOVABLE CURB PLATES		
1	8C1	REMOVABLE CURB PLATES		
1	10M	MEDIAN PLATES		
1	11D1	DOWNSPOUT		
10	1a7	L 203 x 203 x 13	456	
20		Bolt 19 x 89 Lg		
10		Bolt 19 x 51 Lg w/ Nut		

METRIC

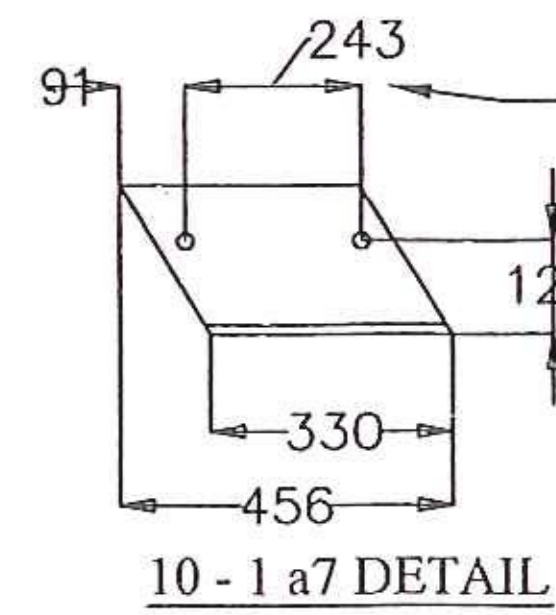
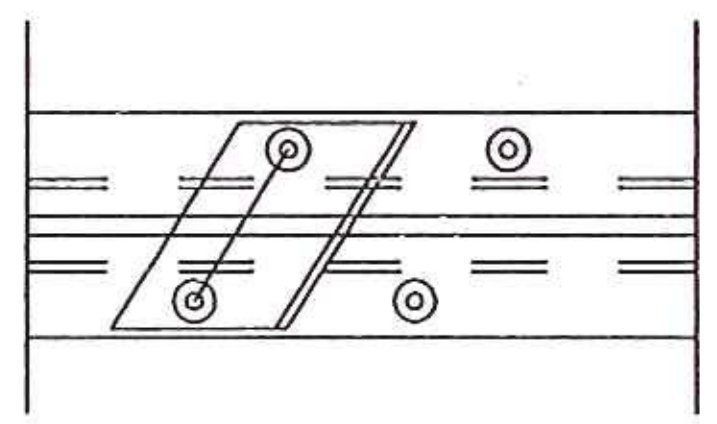
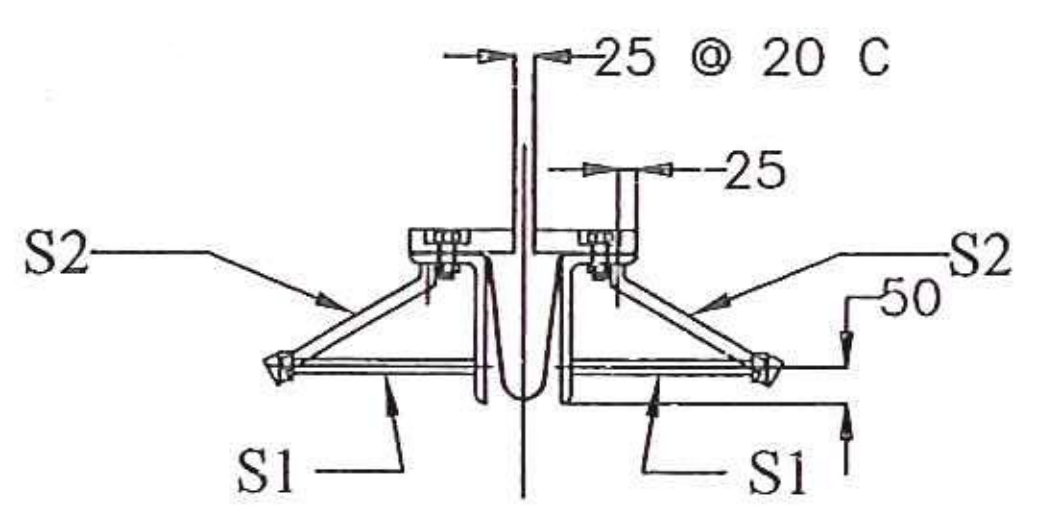
SHOP DRAWINGS ARE REVIEWED UNLESS NOTED OTHERWISE

NO EXCEPTION TAKEN	✓
REVISE AS NOTED	
RESUBMISSION NOT REQUIRED	
REVISE AS NOTED	
RESUBMISSION REQUIRED	
REJECTED	

DATE: 7/21/10

SIGNATURE: *Michael Christoff*

REVIEW BY STANTEC IS FOR THE SOLE PURPOSE OF ASCERTAINING GENERAL CONFORMITY WITH DESIGN. CONTRACTOR IS RESPONSIBLE FOR DIMENSIONS, FABRICATION AND CONSTRUCTION METHODS, COORDINATION OF SUB-TRADE DETAIL DESIGN OF COMPONENTS, AND ERRORS OR OMISSIONS ON SHOP DRAWINGS.



DRAWING COVERS

**EXPANSION JOINT LAYOUT 14A - ABUTMENT 1**

PROJECT	BENNINGTON
LOCATION	RAMP G/S OVER VT ROUTE 279 WB
ENGINEER	STATE OF VERMONT AOT / STANTEC
CUSTOMER	MILLER CONSTRUCTION

**MERRIMACK SHEET METAL**

119 HALL STREET  
CONCORD NH 03301

Tel. 603.224.7766  
Fax 603.224.7925

DRAWN BY: RL  
CHECKED BY: JD  
JOB NO. #3374  
DWG. F1

REV NO.	DATE	DESCRIPTION
	7-14-2010	REVISED PER APPROVAL COMMENTS
	6-21-2010	SUBMITTED FOR APPROVAL

HOLES AS NOTED

MATERIAL: AASHTO M 270M/M270 GRADE 250 GALV