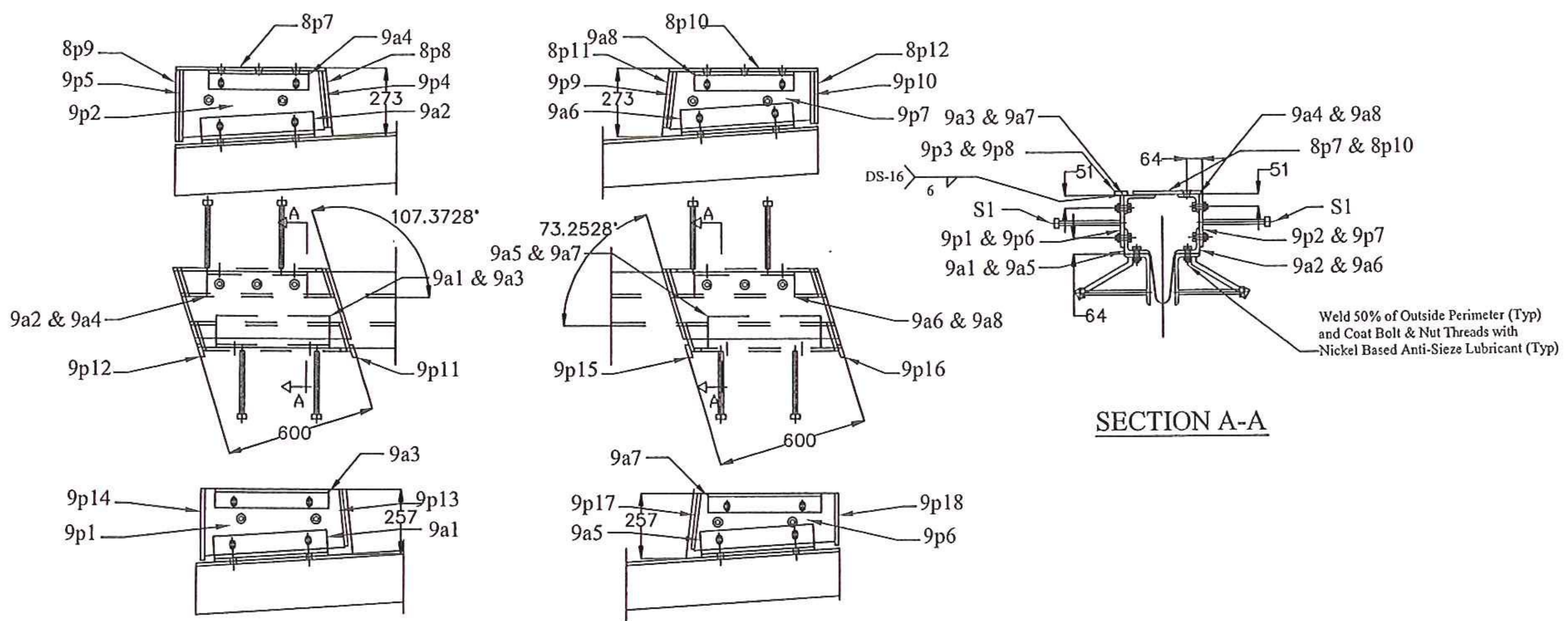


BILL OF MATERIALS				
QTY	MARK	SHAPE	LENGTH	REMARKS
1	9C1	CURB PLATES (Low Side)		
1	9a1	L 102 x 102 x 13	456	
1	9a2	L 102 x 102 x 13	456	
1	9a3	L 127 x 76 x 13	456	
1	9a4	L 102 x 76 x 13	404	
1	9p1	Plate 13 x 265	562	
1	9p2	Plate 13 x 268	566	
1	9p3	Plate 16 x 50	618	
1	9p4	Plate 13 x 120	228	
1	9p5	Plate 13 x 120	285	
1	9p11	Plate 16 x 50	225	
1	9p12	Plate 16 x 50	282	
1	9p13	Plate 13 x 120	225	
1	9p14	Plate 13 x 120	282	
4	S1	Studs 19 x 180		
12		Hex Head Bolt 19 x 51 Lg with Washer and Nut		
1	9C2	CURB PLATES (High Side)		
1	9a5	L 102 x 102 x 13	456	
1	9a6	L 102 x 102 x 13	456	
1	9a7	L 127 x 76 x 13	456	
1	9a8	L 102 x 76 x 13	404	
1	9p6	Plate 13 x 227	551	
1	9p7	Plate 13 x 230	551	
1	9p8	Plate 16 x 50	616	
1	9p9	Plate 13 x 120	226	
1	9p10	Plate 13 x 120	209	
1	9p15	Plate 16 x 50	223	
1	9p16	Plate 16 x 50	206	
1	9p17	Plate 13 x 120	223	
1	9p18	Plate 13 x 120	206	
4	S1	Studs 19 x 180		
12		Hex Head Bolt 19 x 51 Lg with Washer and Nut		



(1) - 9C1 CURB PLATES
(1) - 9C2 CURB PLATES
ABUTMENT 2

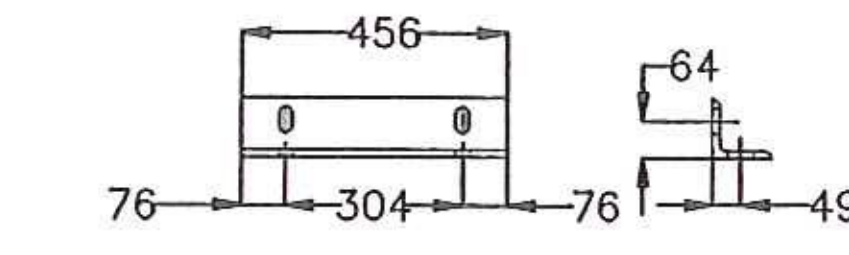
SHOP DRAWINGS ARE REVIEWED UNLESS NOTED OTHERWISE

NO EXCEPTION TAKEN	<input checked="" type="checkbox"/>
REVISE AS NOTED	<input type="checkbox"/>
RESUBMISSION NOT REQUIRED	<input type="checkbox"/>
REVISE AS NOTED	<input type="checkbox"/>
RESUBMISSION REQUIRED	<input type="checkbox"/>
REJECTED	<input type="checkbox"/>

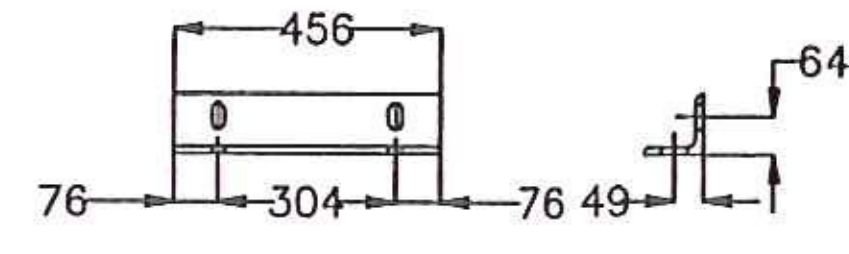
DATE: 3/17/11

SIGNATURE: *Midwood Kimette*

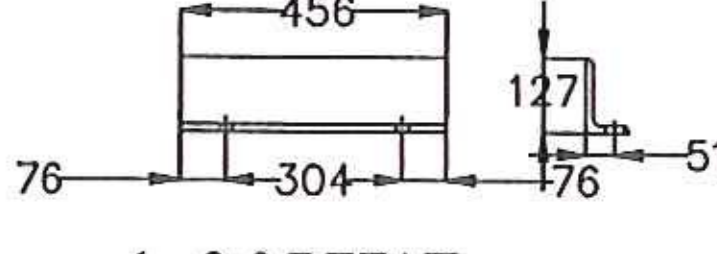
REVIEW BY STANTEC IS FOR THE SOLE PURPOSE OF ASCERTAINING GENERAL CONFORMITY WITH DESIGN. CONTRACTOR IS RESPONSIBLE FOR DIMENSIONS, FABRICATION AND CONSTRUCTION METHODS, COORDINATION OF SUB-TRADES, DETAIL DESIGN OF COMPONENTS, AND ERRORS OR OMISSIONS ON SHOP DRAWINGS.



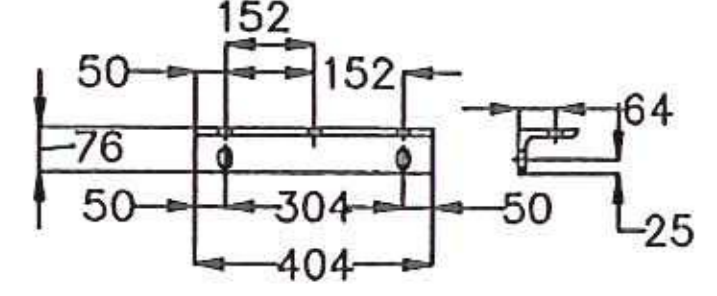
1 - 9a1 DETAIL



1 - 9a2 DETAIL

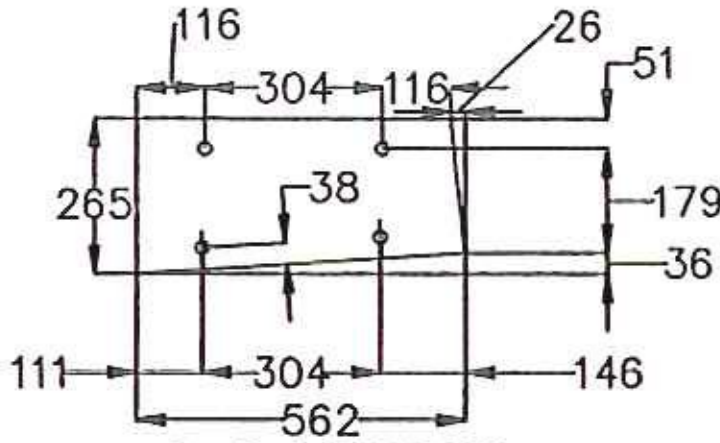


1 - 9a3 DETAIL

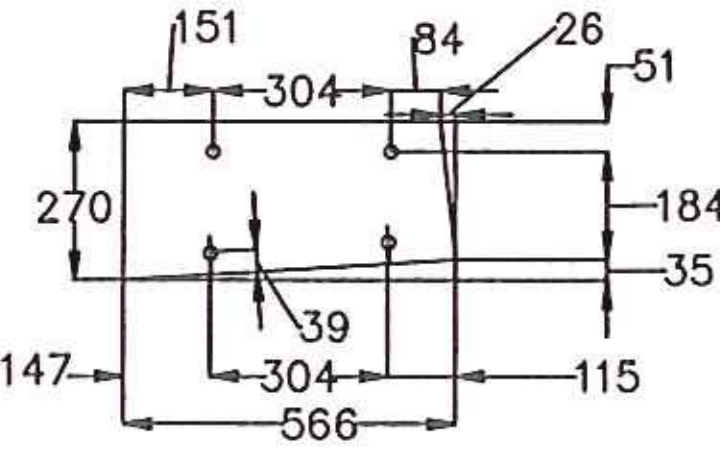


1 - 9a4 DETAIL

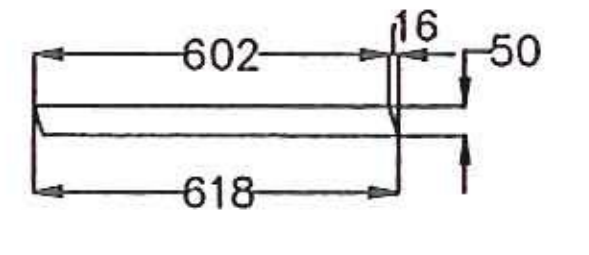
Long slots are 22 x 44 in 7a1 & 7a2
Short slots are 22 x 33 in 7a3 & 7a4
Holes 22 mm in 7a4



1 - 9p1 DETAIL

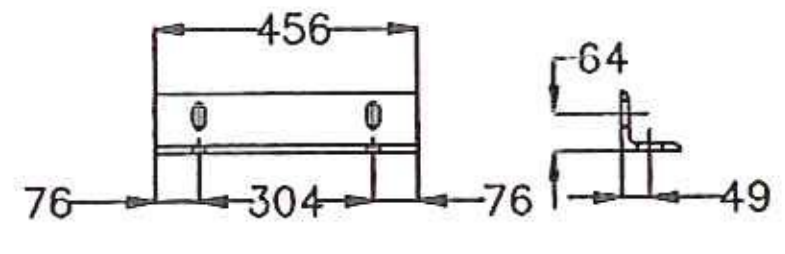


1 - 9p2 DETAIL

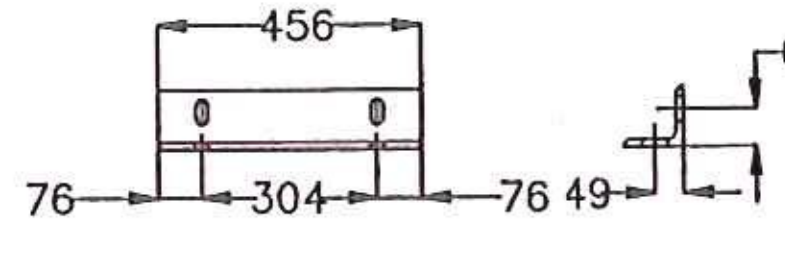


1 - 9p3 DETAIL

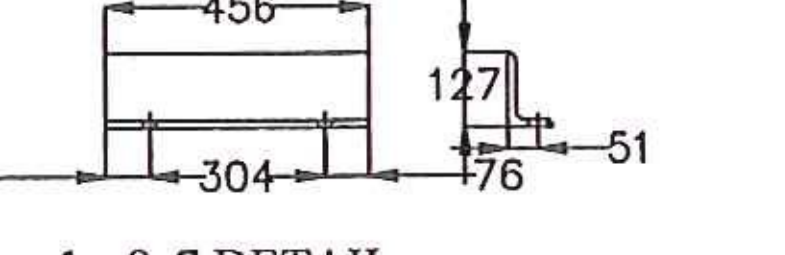
All holes 22 mm dia in plates



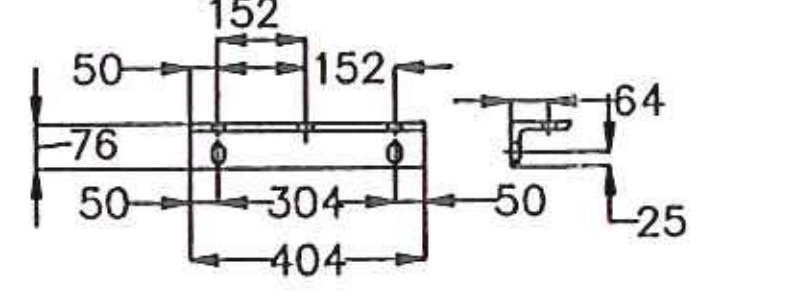
1 - 9a5 DETAIL



1 - 9a6 DETAIL

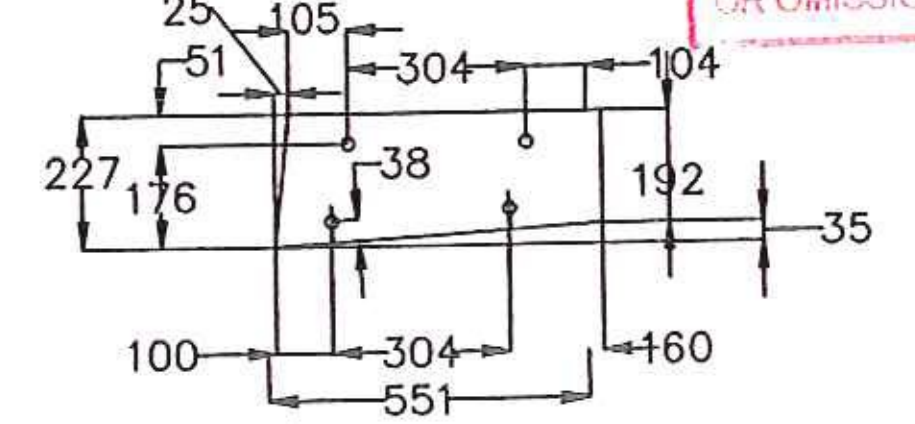


1 - 9a7 DETAIL

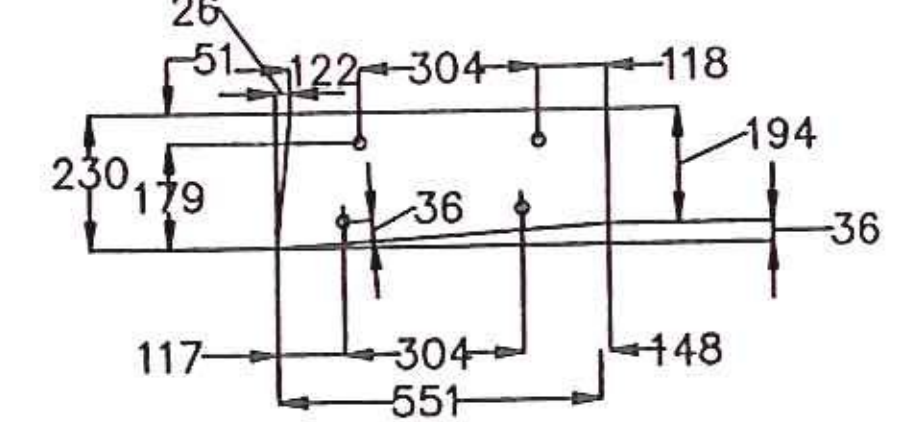


1 - 9a8 DETAIL

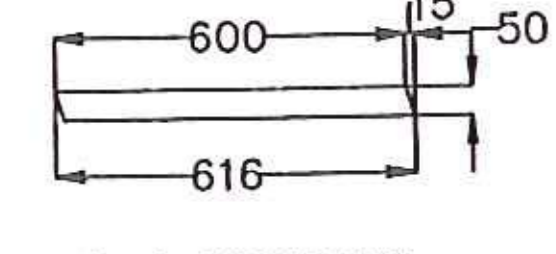
Long slots are 22 x 44 in 7a1 & 7a2
Short slots are 22 x 33 in 7a3 & 7a4
Holes 22 mm in 7a4



1 - 9p6 DETAIL



1 - 9p7 DETAIL



1 - 9p8 DETAIL

All holes 22 mm dia in plates

METRIC

REV NO.	DATE	DESCRIPTION
0	9-17-2010	SUBMITTED FOR APPROVAL
HOLES AS NOTED		
MATERIAL: AASHTO M 270M/M270 GRADE 250 GALV		

DRAWING COVERS

CURB PLATES ABUTMENT 2 - BRIDGE 13N

PROJECT	BENNINGTON
LOCATION	US ROUTE 7 NB OVER VT ROUTE 279 EB
ENGINEER	STATE OF VERMONT AOT / STANTEC
CUSTOMER	MILLER CONSTRUCTION

MERRIMACK SHEET METAL

119 HALL STREET
CONCORD NH 03301

Tel. 603.224.7766
Fax 603.224.7925

DRAWN BY: RL
CHECKED BY: JD
JOB NO: #3374
DWG: F9