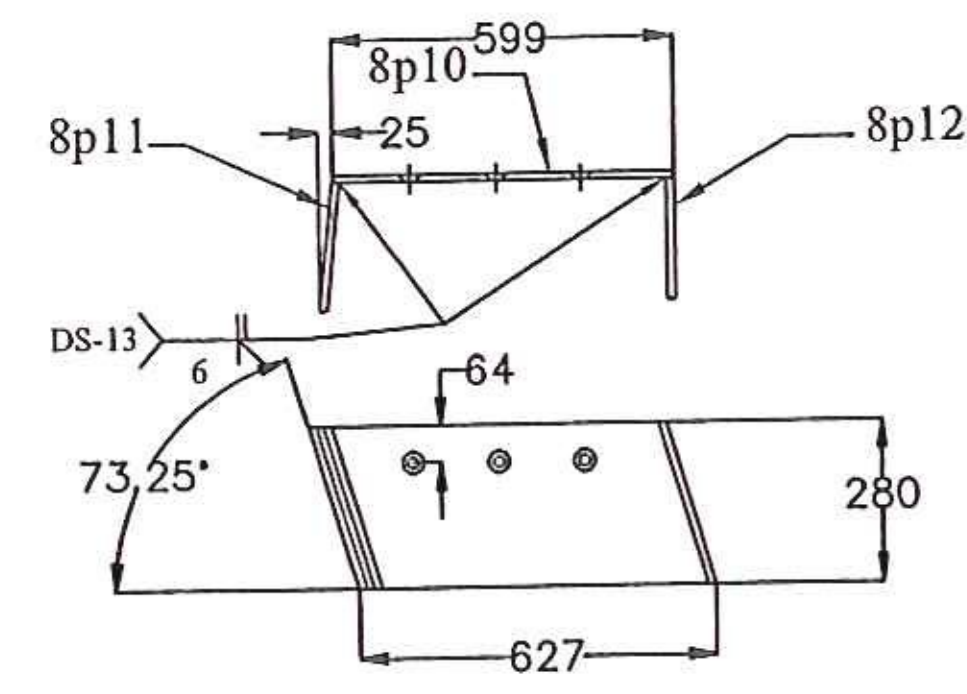
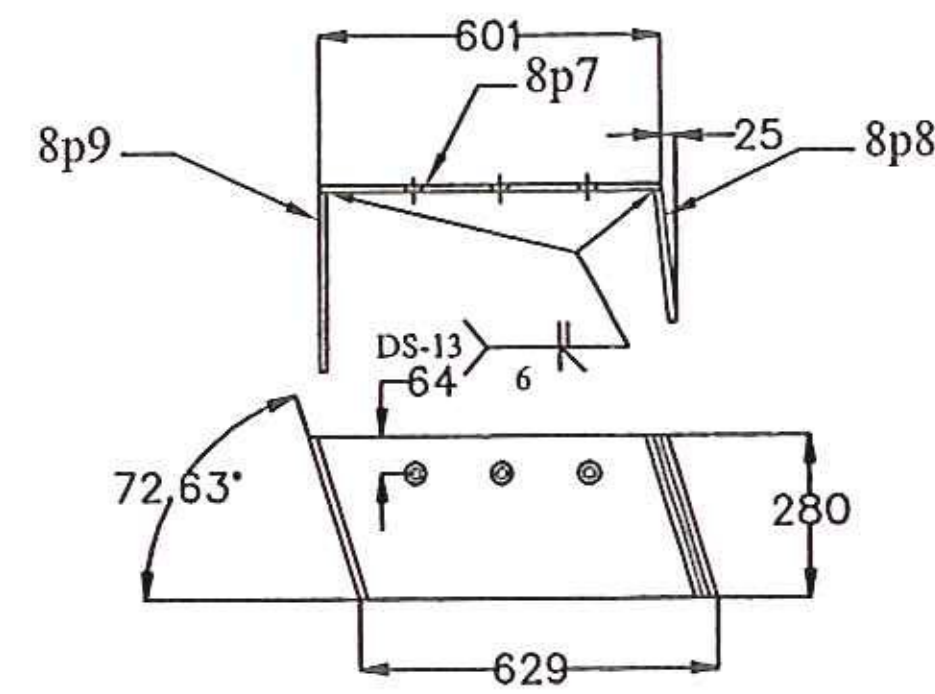
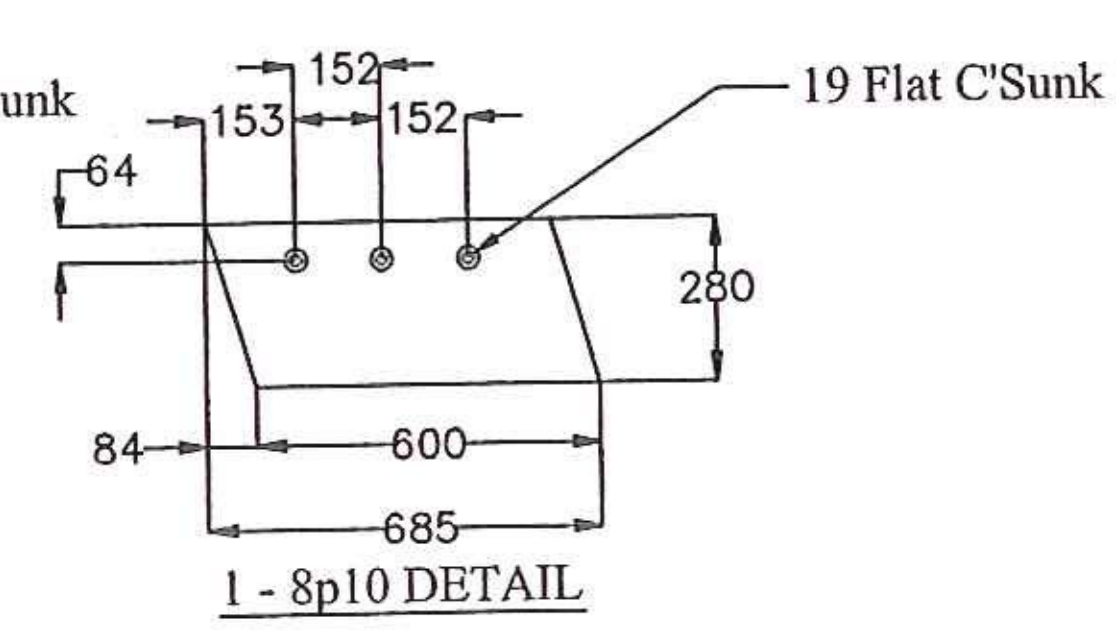
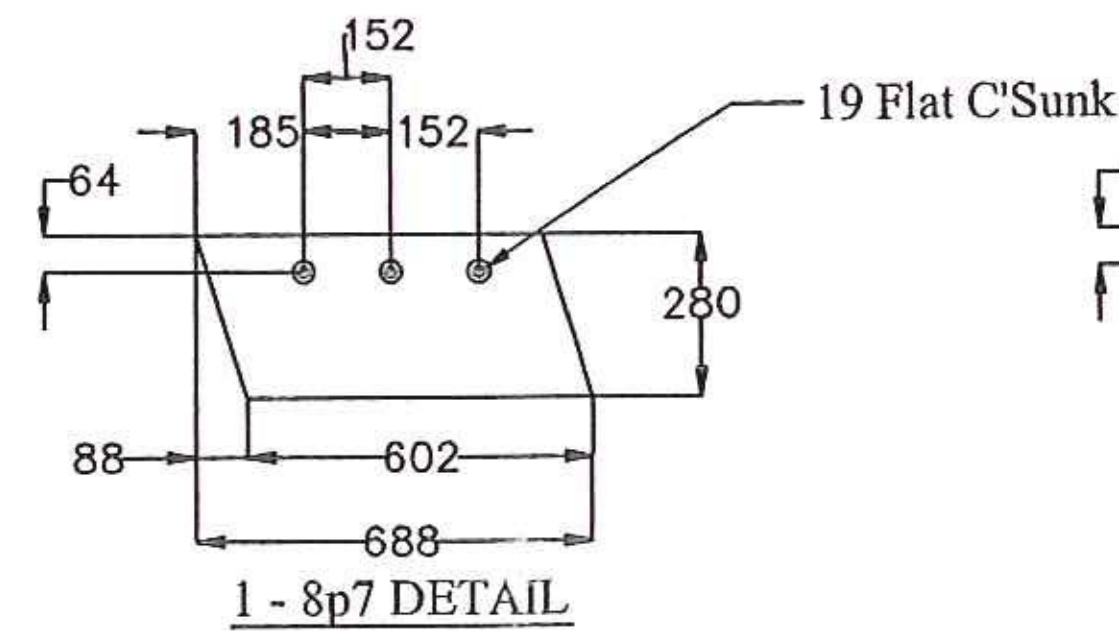
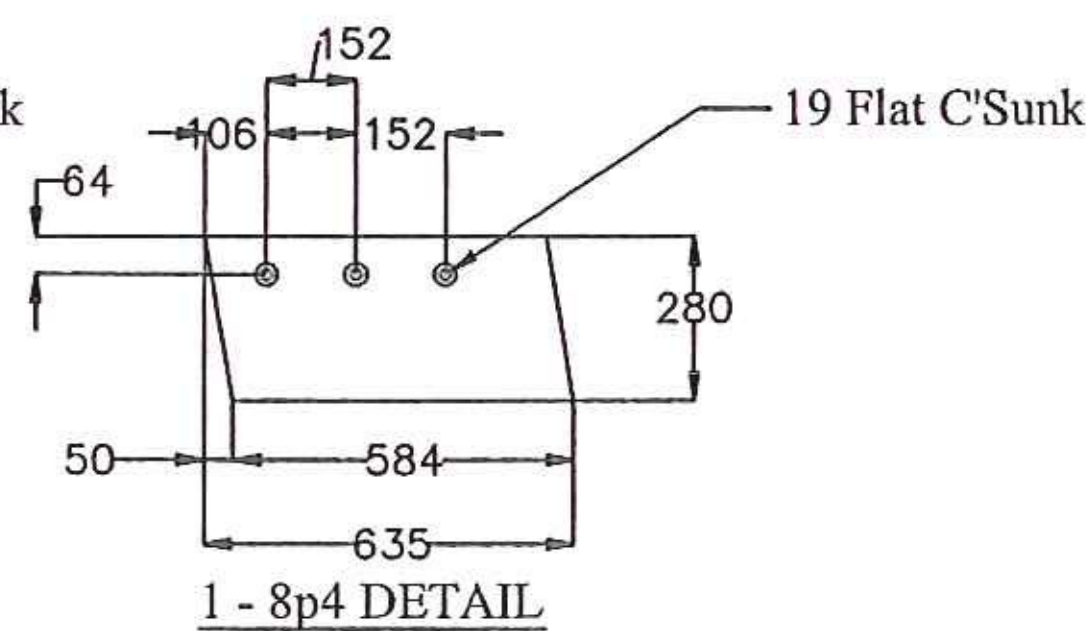
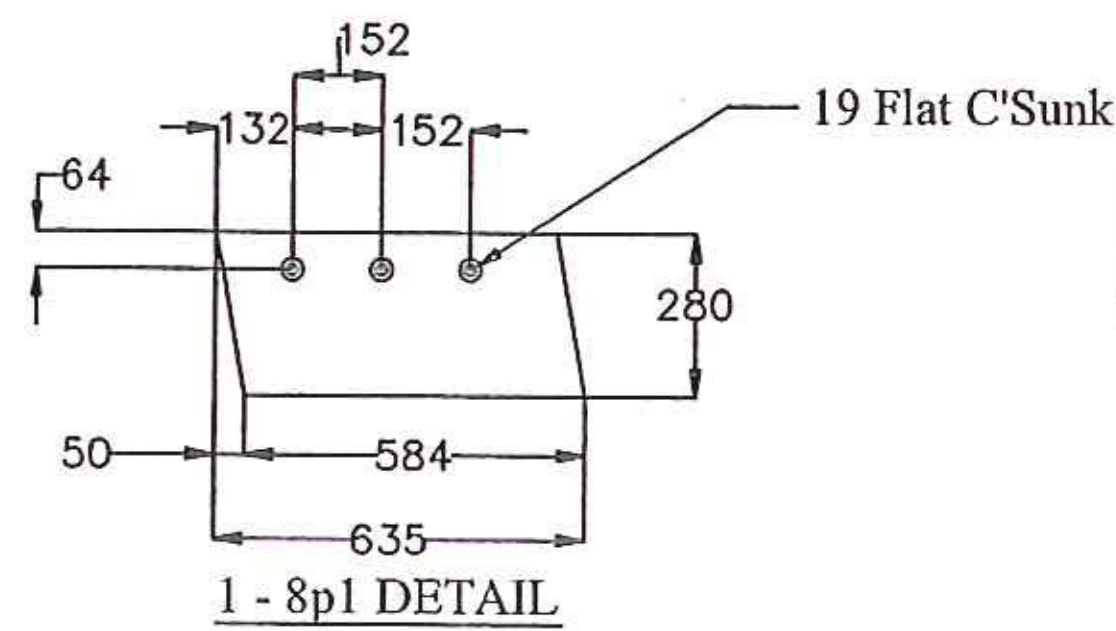


(1) - 8C1 REMOVABLE CURB PLATES
 (1) - 8C2 REMOVABLE CURB PLATES
ABUTMENT 1



(1) - 8C3 REMOVABLE CURB PLATES
 (1) - 8C4 REMOVABLE CURB PLATES
ABUTMENT 2



BILL OF MATERIALS				
QTY	MARK	SHAPE	LENGTH	REMARKS
1	8C1	REMOVABLE CURB (Low Side)		
1	8p1	Plate 13 x 280	635	
1	8p2	Plate 13 x 226	285	
1	8p3	Plate 13 x 285	285	
3		Flat C'Sunk Cap Screw (Glav)		19 x 38 Lg with Nut
1	8C2	REMOVABLE CURB (Low Side)		
1	8p4	Plate 13 x 280	635	
1	8p5	Plate 13 x 224	285	
1	8p6	Plate 13 x 209	285	
3		Flat C'Sunk Cap Screw (Glav)		19 x 38 Lg with Nut
1	8C3	REMOVABLE CURB (Low Side)		
1	8p7	Plate 13 x 280	688	
1	8p8	Plate 13 x 228	293	
1	8p9	Plate 13 x 285	293	
3		Flat C'Sunk Cap Screw (Glav)		19 x 38 Lg with Nut
1	8C4	REMOVABLE CURB (Low Side)		
1	8p10	Plate 13 x 280	685	
1	8p11	Plate 13 x 224	292	
1	8p12	Plate 13 x 209	292	
3		Flat C'Sunk Cap Screw (Glav)		19 x 38 Lg with Nut

METRIC

SHOP DRAWINGS ARE REVIEWED UNLESS NOTED OTHERWISE

NO EXCEPTION TAKEN	<input checked="" type="checkbox"/>
REVISE AS NOTED RESUBMISSION NOT REQUIRED	<input type="checkbox"/>
REVISE AS NOTED RESUBMISSION REQUIRED	<input type="checkbox"/>
REJECTED	<input type="checkbox"/>

DATE: 3/17/11

SIGNATURE: *Michael Chantler*

REVIEW BY STANTEC IS FOR THE SOLE PURPOSE OF ASCERTAINING GENERAL CONFORMITY WITH DESIGN. CONTRACTOR IS RESPONSIBLE FOR DIMENSIONS, FABRICATION AND CONSTRUCTION METHODS, COORDINATION OF SUB-TRADES, DETAIL DESIGN OF COMPONENTS, AND ERRORS OR OMISSIONS ON SHOP DRAWINGS.

DRAWING COVERS

CURB REMOVABLE PLATES - BRIDGE 13N

PROJECT	BENNINGTON
LOCATION	US ROUTE 7 NB OVER VT ROUTE 279 EB
ENGINEER	STATE OF VERMONT AOT / STANTEC
CUSTOMER	MILLER CONSTRUCTION

REV NO.	DATE	DESCRIPTION
0	9-17-2010	SUBMITTED FOR APPROVAL
HOLES AS NOTED		
MATERIAL: AASHTO M 270M/M270 GRADE 250 GALV		

MERRIMACK SHEET METAL

119 HALL STREET
 CONCORD NH 03301

Tel. 603.224.7766
 Fax 603.224.7925

DRAWN BY: RL
 CHECKED BY: JD
 JOB NO: #3374
 DWG: F8