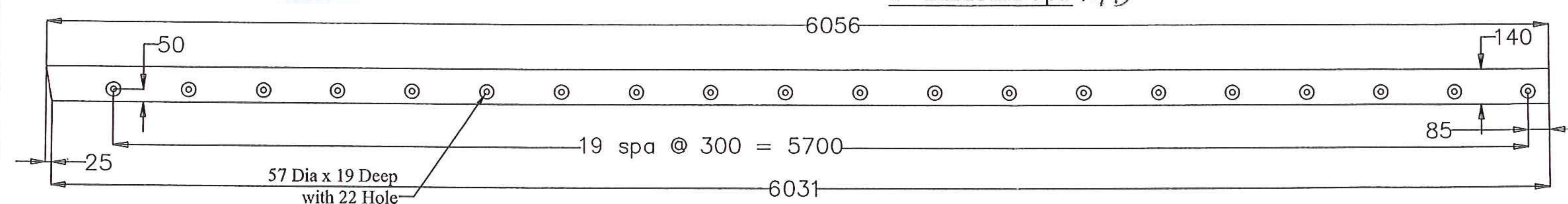
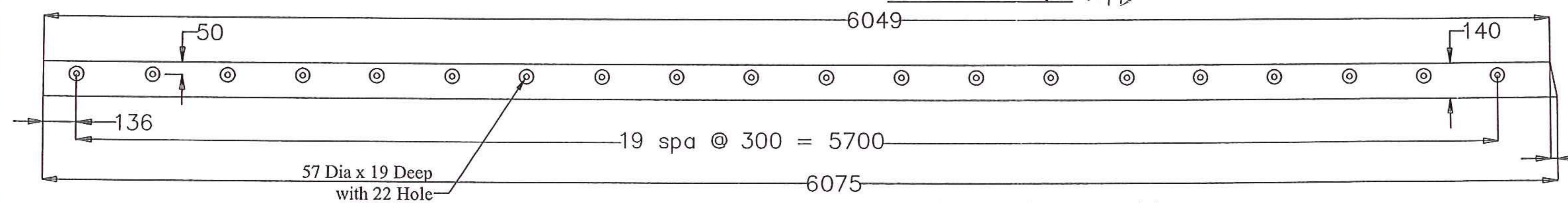


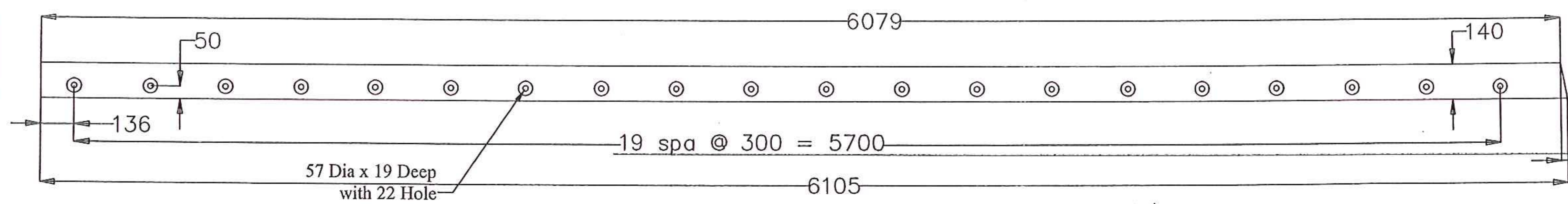
1 - DETAIL 5p1 A/B



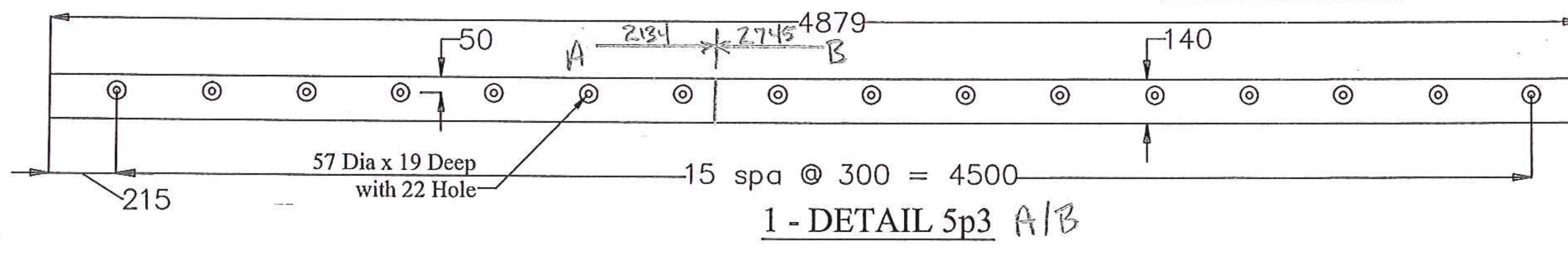
1 - DETAIL 5p2 A/B



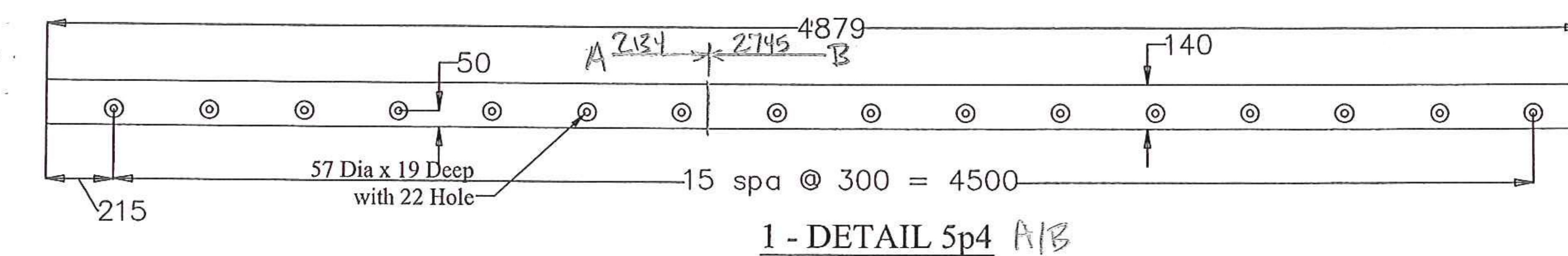
1 - DETAIL 5p5 A/B



1 - DETAIL 5p6 A/B



1 - DETAIL 5p3 A/B



1 - DETAIL 5p4 A/B

BILL OF MATERIALS				
QTY	MARK	SHAPE	LENGTH	REMARKS
1	5P1	Plate 32 x 140	6085	
1	5P2	Plate 32 x 140	6056	
1	5P3	Plate 32 x 140	4879	2134 - A
1	5P4	Plate 32 x 140	4879	2745 - B
1	5P5	Plate 32 x 140	6075	2134 - A
1	5P6	Plate 32 x 140	6105	2745 - B
112		Heavy Hex Bolt 19 x 57 w/ Nut		

SHOP DRAWINGS ARE REVIEWED UNLESS NOTED OTHERWISE

NO EXCEPTION TAKEN	
REVISE AS NOTED	<input checked="" type="checkbox"/>
RESUBMISSION NOT REQUIRED	
REVISE AS NOTED	
RESUBMISSION REQUIRED	
REJECTED	

DATE: 3/17/11

SIGNATURE: *Michael Demitte*

REVIEW BY STANTEC IS FOR THE SOLE PURPOSE OF ASCERTAINING GENERAL CONFORMITY WITH DESIGN. CONTRACTOR IS RESPONSIBLE FOR DIMENSIONS, FABRICATION AND CONSTRUCTION METHODS, COORDINATION OF SUB-TRADES, DETAIL DESIGN OF COMPONENTS, AND ERRORS OR OMISSIONS ON SHOP DRAWINGS.

METRIC

REV NO.	DATE	DESCRIPTION
0	9-17-2010	SUBMITTED FOR APPROVAL

HOLES AS NOTED

MATERIAL: AASHTO M 270M/M270 GRADE 250 GALV

DRAWING COVERS

PLATE DETAILS - BRIDGE 13N

PROJECT	BENNINGTON
LOCATION	US ROUTE 7 NB OVER VT ROUTE 279 EB
ENGINEER	STATE OF VERMONT AOT / STANTEC
CUSTOMER	MILLER CONSTRUCTION

MERRIMACK SHEET METAL

119 HALL STREET
CONCORD NH 03301

Tel. 603.224.7766
Fax 603.224.7925

DRAWN BY: RL
CHECKED BY: JD
JOB NO: #3374
DWG: F5