

# VT ROUTE 279 WESTBOUND

OVERHEAD SIGN ASSEMBLY - MULTI-SUPPORT  
STA. WB 9+770.0



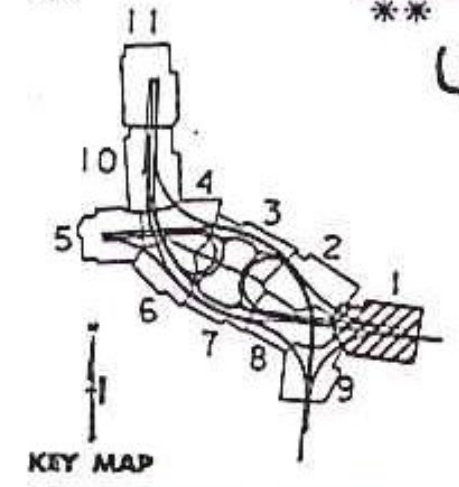
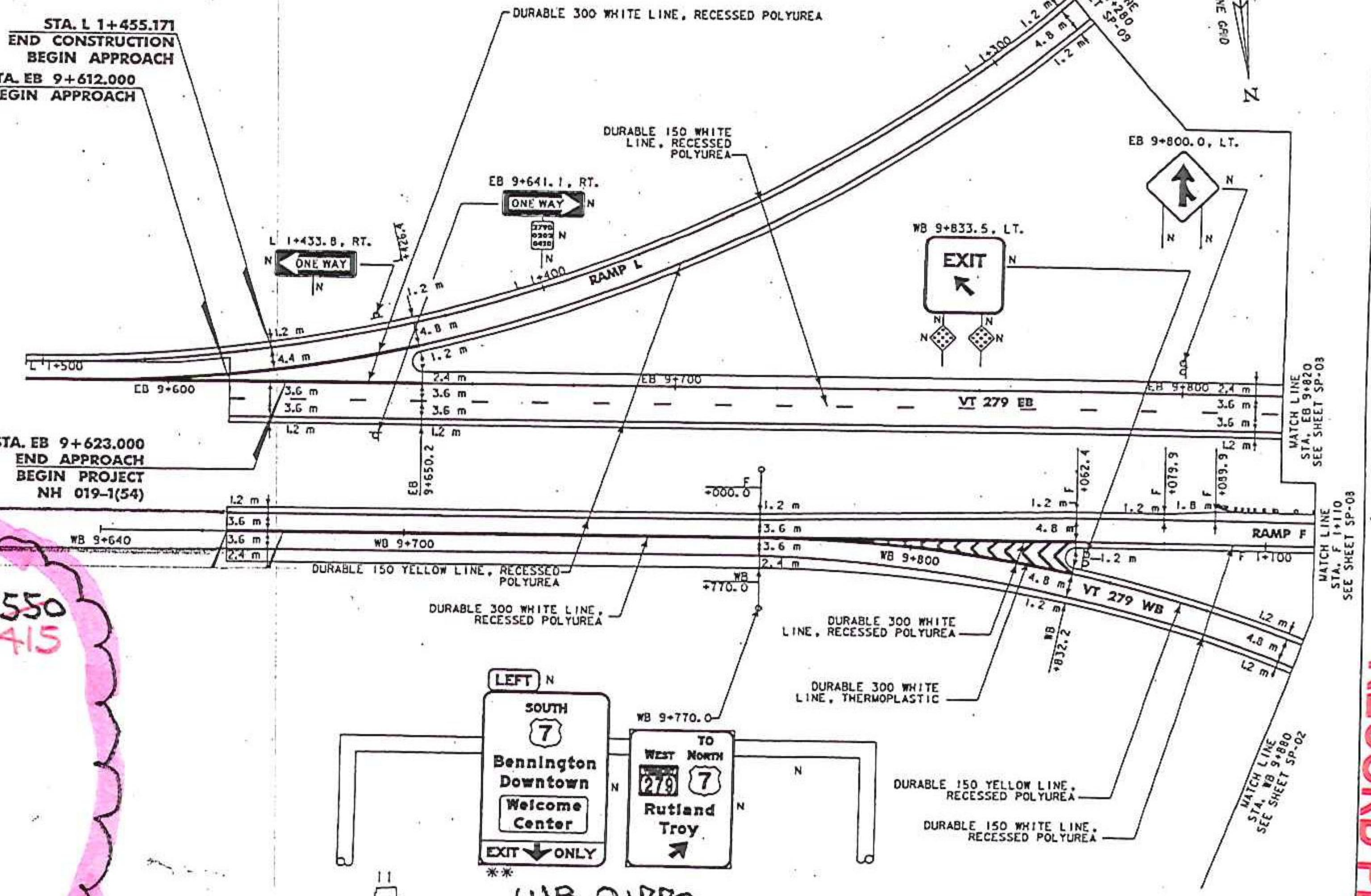
EAST ROAD BRIDGE  
~ 9+300

WB 9+550  
415

Manchester  
FOLLOW 7 NORTH

STA. L 1+455.171  
END CONSTRUCTION  
BEGIN APPROACH  
STA. EB 9+612.000  
BEGIN APPROACH

STA. EB 9+623.000  
END APPROACH  
BEGIN PROJECT  
NH 019-1(54)



NOTE: ALL DIMENSIONS IN MILLIMETERS (mm) EXCEPT WHERE NOTED

	PROJECT NAME: BENNINGTON	PLOT DATE: 1/26/2010
	PROJECT NUMBER: NH 019-1(54)	DRAWN BY: STANTEC
FILE NAME: ...307c4sgnvm_plans.dwg	DESIGNED BY: MARC FOIST	CHECKED BY: GARY SANTY
DESIGN SUPERVISOR: GREG EDWARDS	SIGNS AND MARKINGS SP-01	SHEET 173 OF 468

RECORD PLANS

VT 019-1(54) - 173 OF 468 - 1/26/2010 - 11:10 AM - 11:10 AM