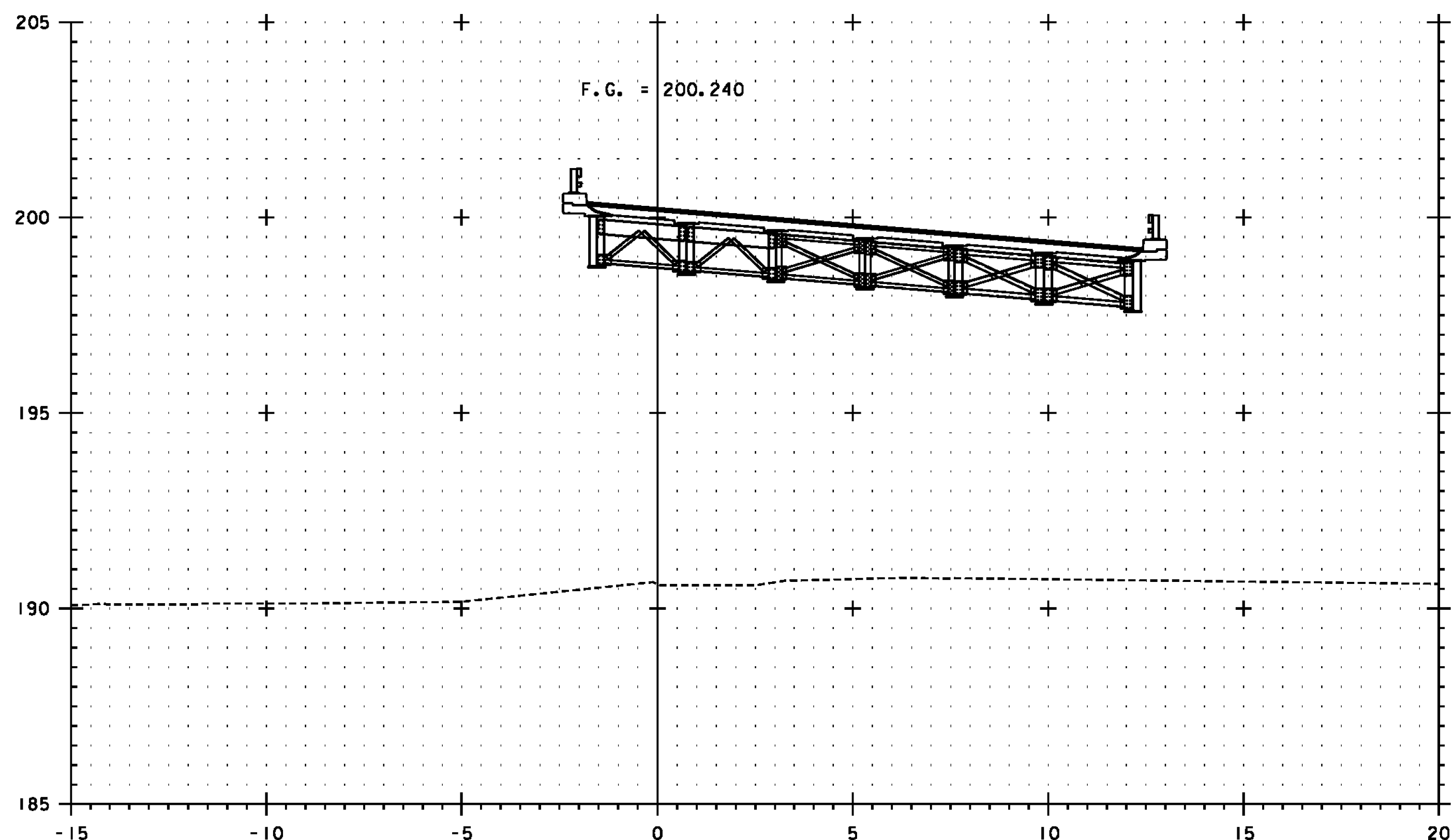
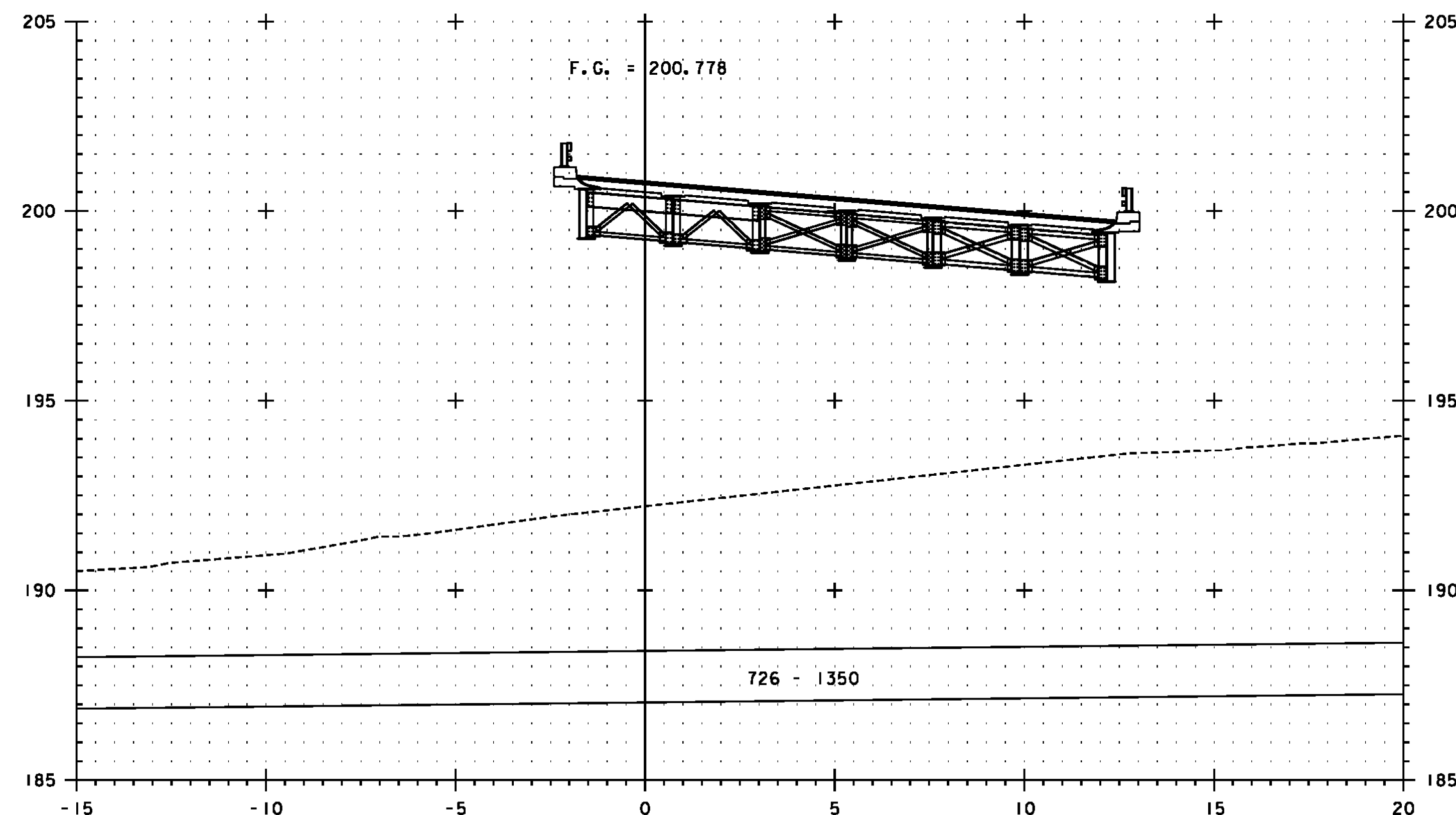


SB 10+827.492 = WB 10+854.506

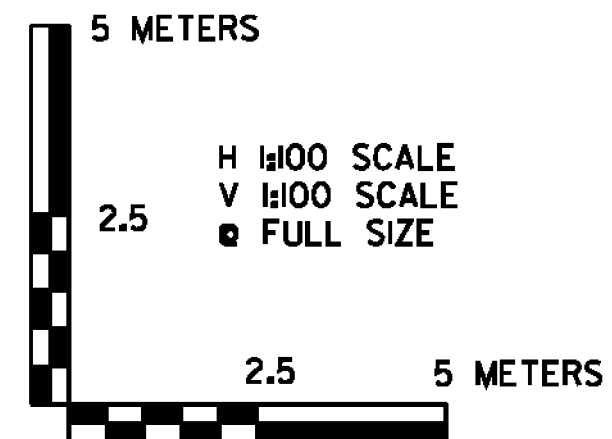


SB 10+820



SB 10+840

SEE NOTE ON SHEET 447



PROJECT NAME: BENNINGTON	
PROJECT NUMBER: NH 019-(154)	
FILE NAME: ...\plot_files\zd307c4xs.7SB.plt	PLOT DATE: 1/26/2010
DESIGN SUPERVISOR: GREG EDWARDS	DRAWN BY: STANTEC
DESIGNED BY: MARC FOISY	CHECKED BY: GARY SANTY
US 7 SB CROSS SECTION SBX-15	SHEET 461 OF 468