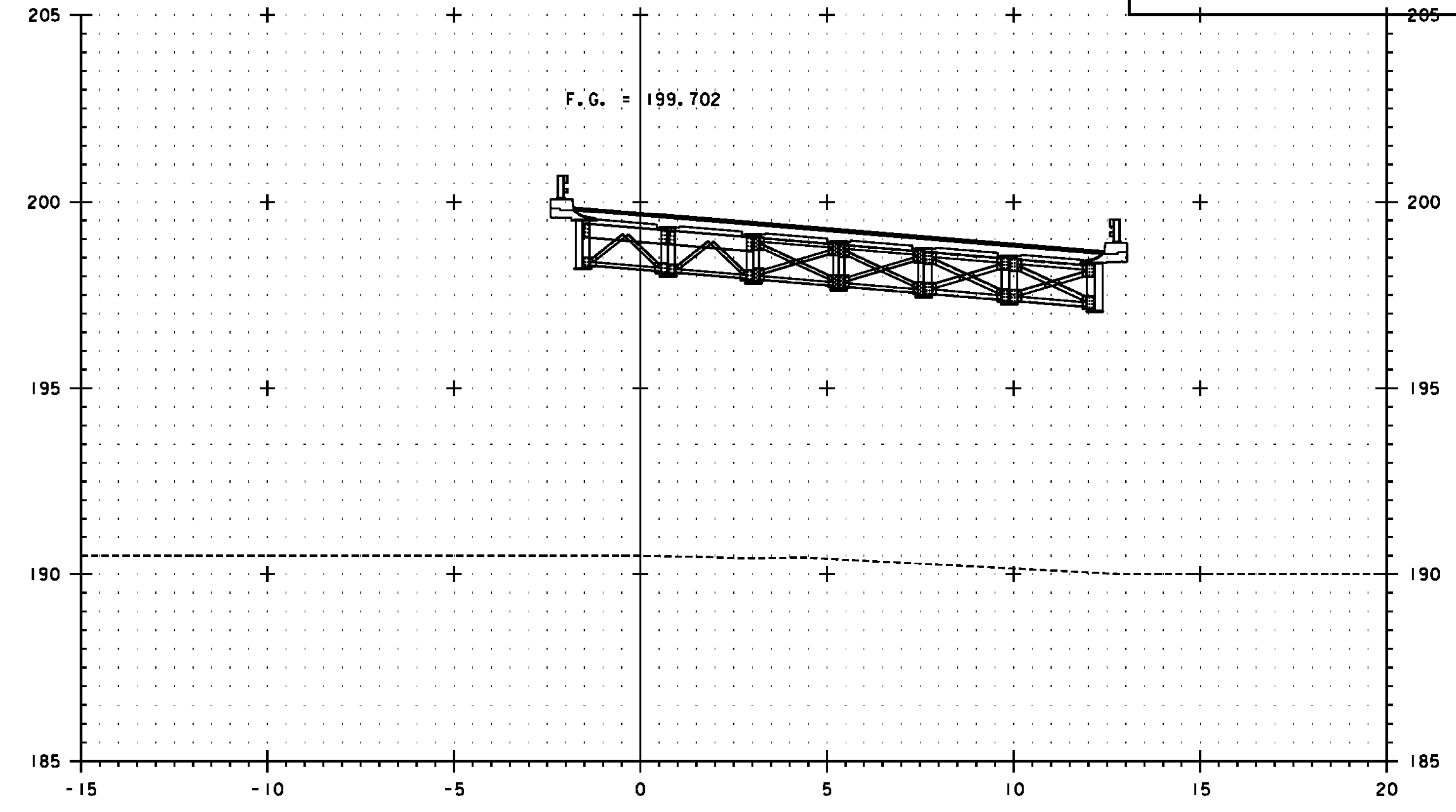
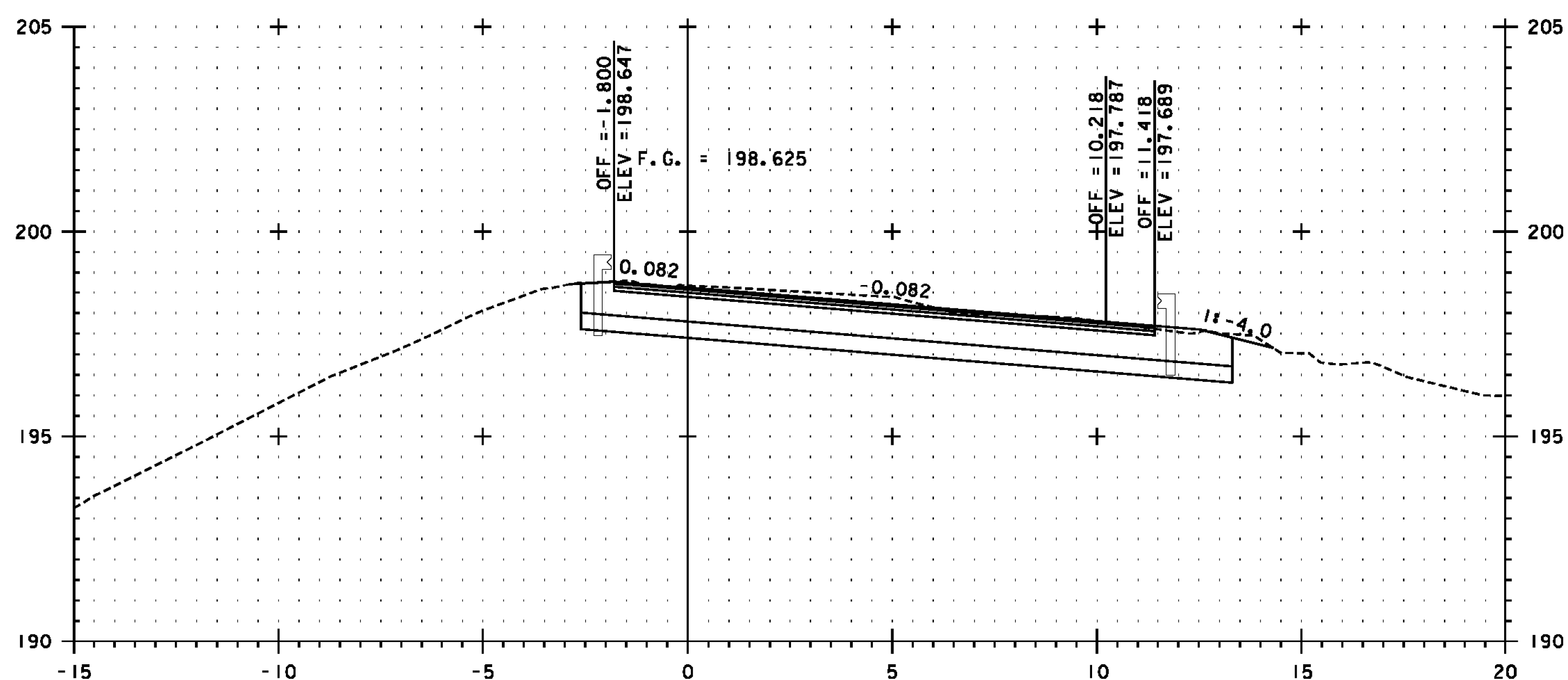


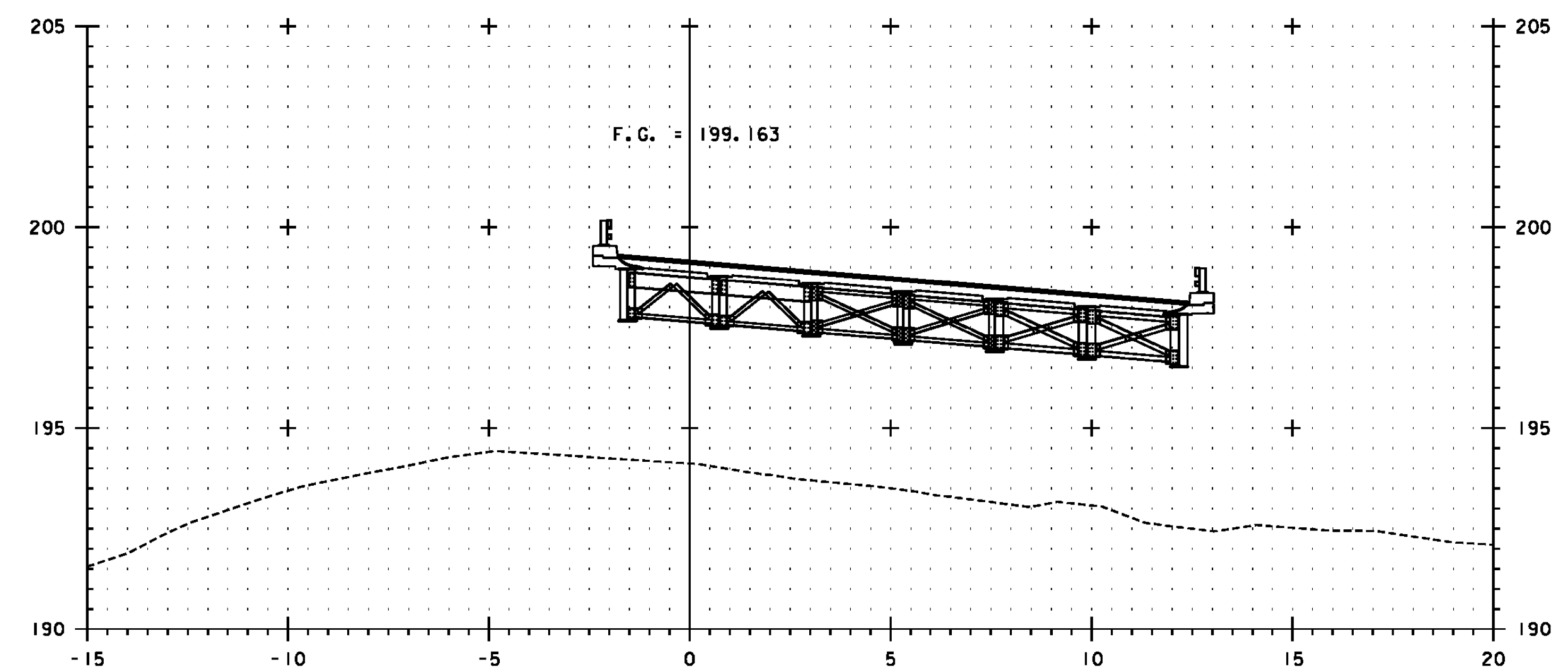
SB 10+779



SB 10+800

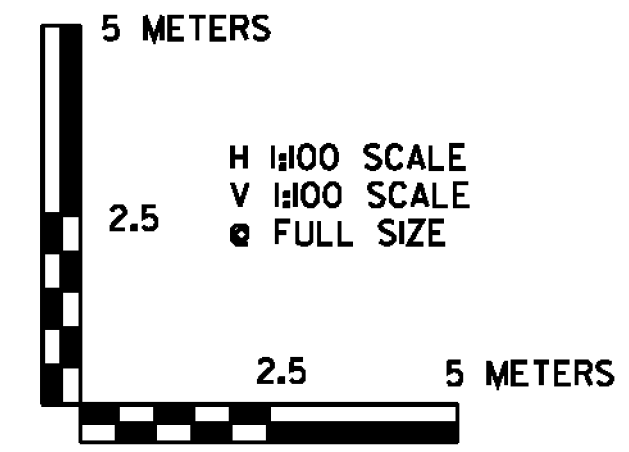


SB 10+760



SB 10+780

SEE NOTE ON SHEET 447



PROJECT NAME:	BENNINGTON	PLOT DATE:	1/26/2010
PROJECT NUMBER:	NH 019-(154)	DRAWN BY:	STANTEC
FILE NAME:	...plot_files\zd307c4xs.7SB.ptf	DESIGNED BY:	GARY SANTY
DESIGN SUPERVISOR:	GREG EDWARDS	CHECKED BY:	GARY SANTY
US 7 SB CROSS SECTION	SBX-14	SHEET	460 OF 468

1/26/2010 4:58:57 PM v:\1953\getlive\1953\0002\transport\101\dr\dwg\constr\c01_4\plot_files\zd307c4xs_7SB.ptf