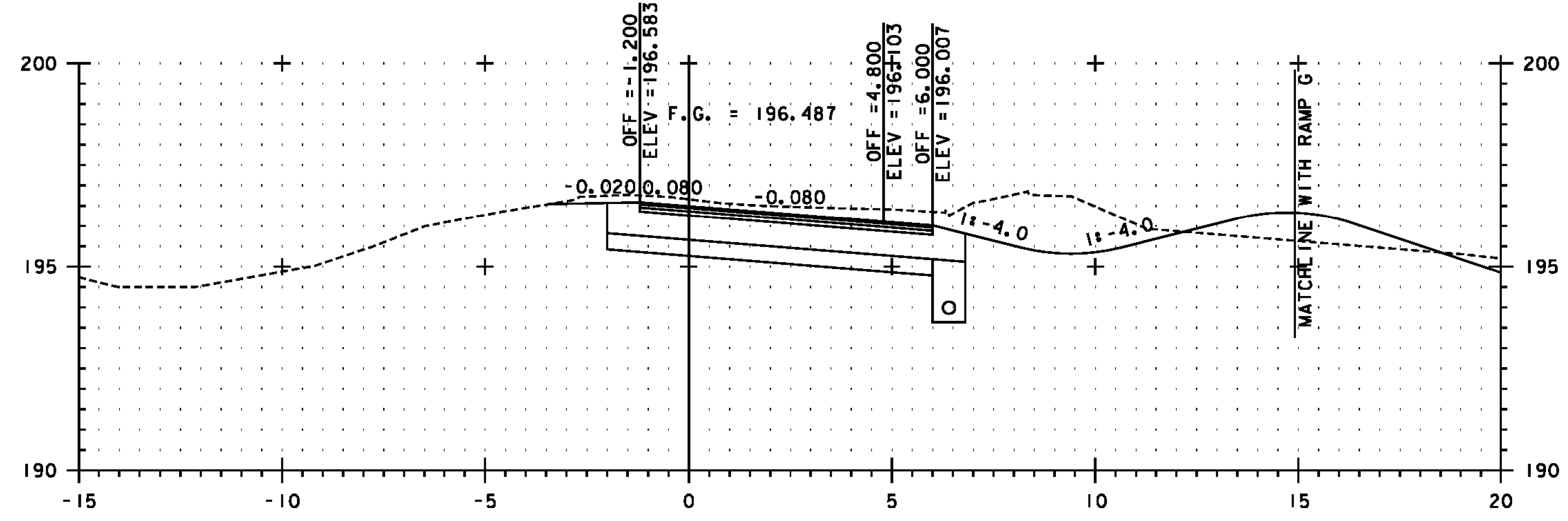
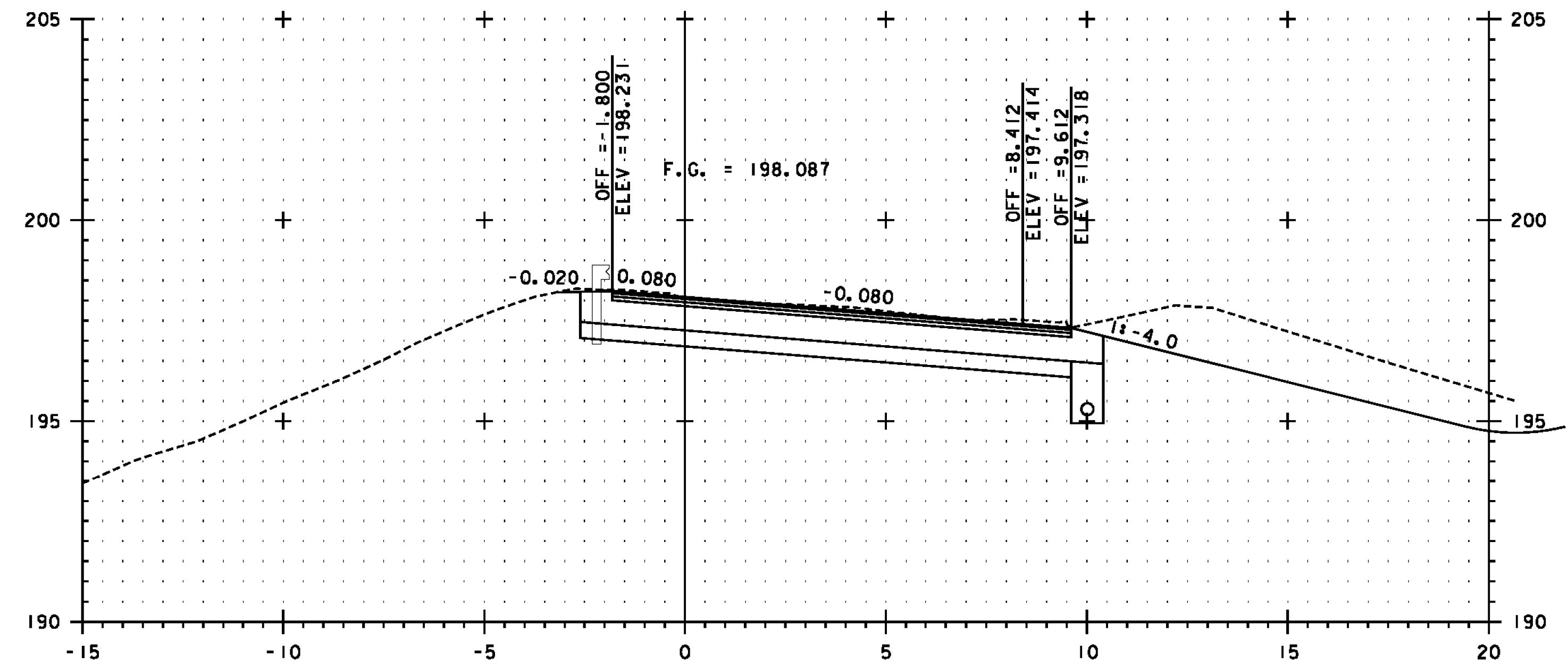


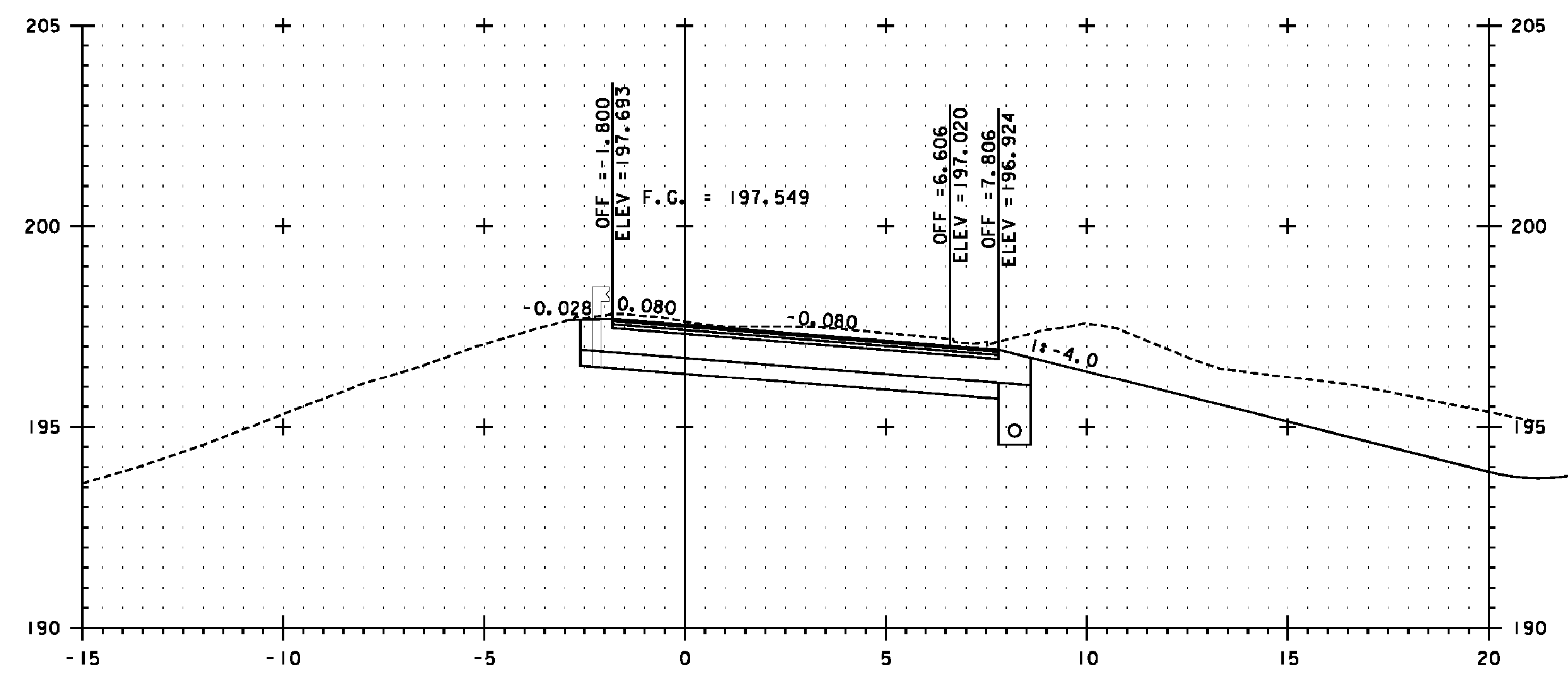
SB 10+700



SB 10+680

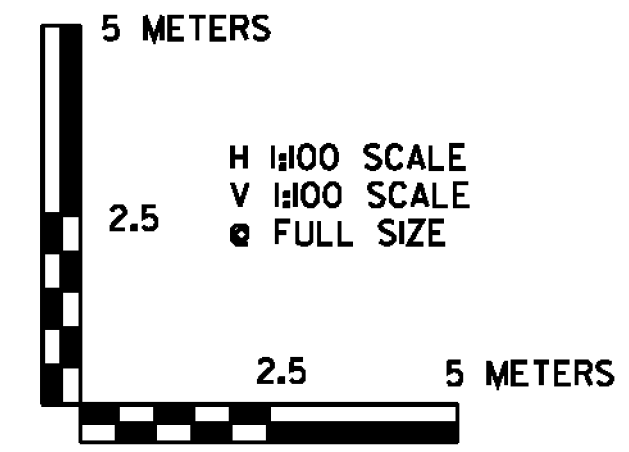


SB 10+740



SB 10+720

SEE NOTE ON SHEET 447



	PROJECT NAME: BENNINGTON	PLOT DATE: 1/26/2010
	PROJECT NUMBER: NH 019-(154)	DRAWN BY: STANTEC
FILE NAME: ...plot_files\zd307c4xs.7SB.ptf	DESIGNED BY: MARC FOISY	CHECKED BY: GARY SANTY
DESIGN SUPERVISOR: GREG EDWARDS	US 7 SB CROSS SECTION SBX-13	SHEET 459 OF 468

1/26/2010 4:58:56 PM v:\1953\getlive\19530002\tr\anspor\station\dr\cwg\mg\cont\rcpt_4\plot_files\zd307c4xs_7SB.ptf