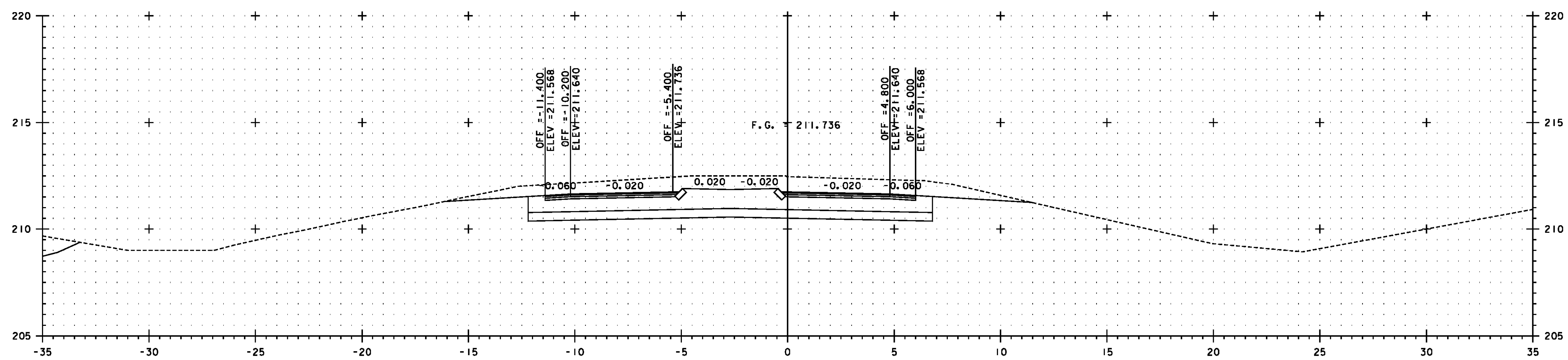


NB 9+740



NB 9+720

SEE NOTE ON SHEET 420



PROJECT NAME:	BENNINGTON	PLOT DATE:	1/26/2010
PROJECT NUMBER:	NH 019-(154)	DRAWN BY:	STANTEC
FILE NAME:	...plot_files\zd307c4xs.7nb.ptf	DESIGNED BY:	MARC FOISY
DESIGN SUPERVISOR:	GREG EDWARDS	CHECKED BY:	GARY SANTY
US 7 NB CROSS SECTION NBX-08		SHEET 427 OF 468	

1/26/2010 4:58:18 PM v:\1953\getlive\19530002\transportation\drw\ng\confr\cst_4\plot_files\zd307c4xs.7nb.ptf