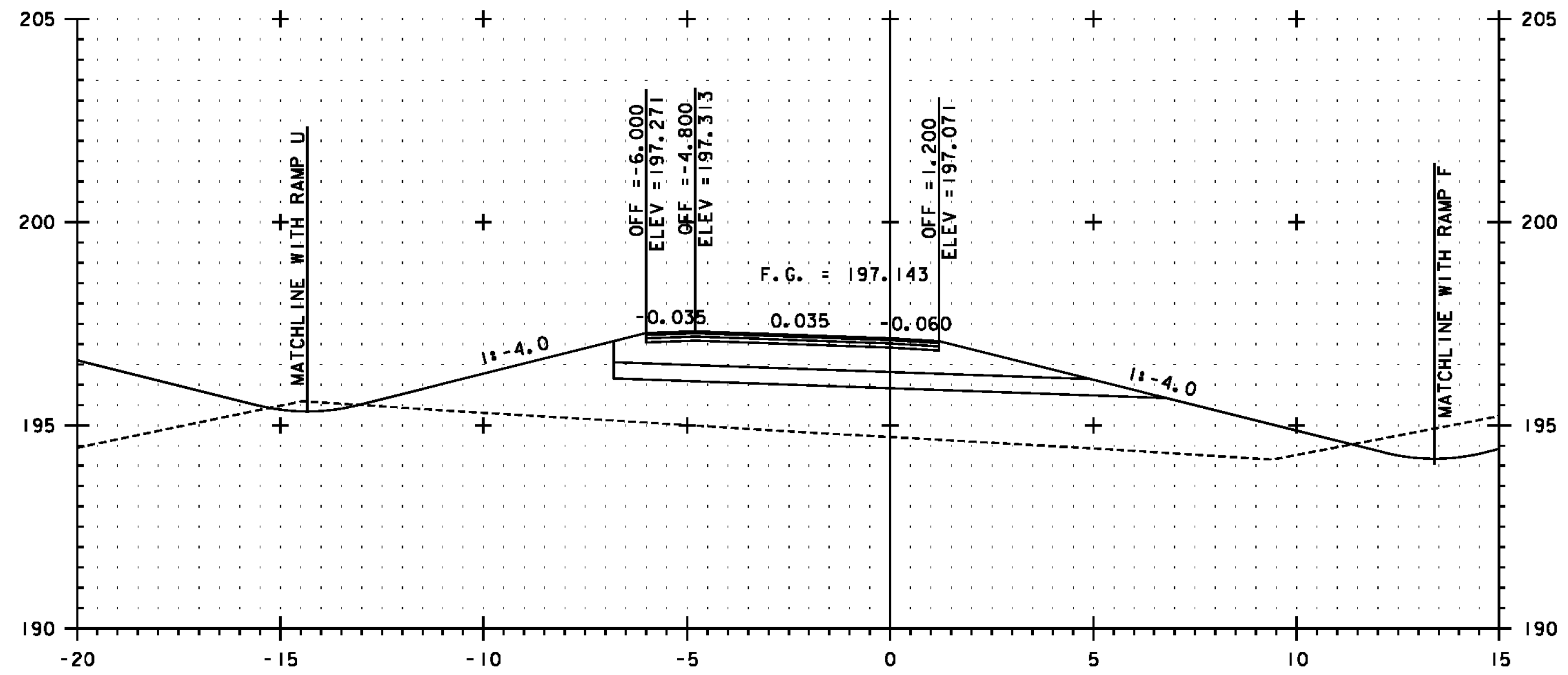
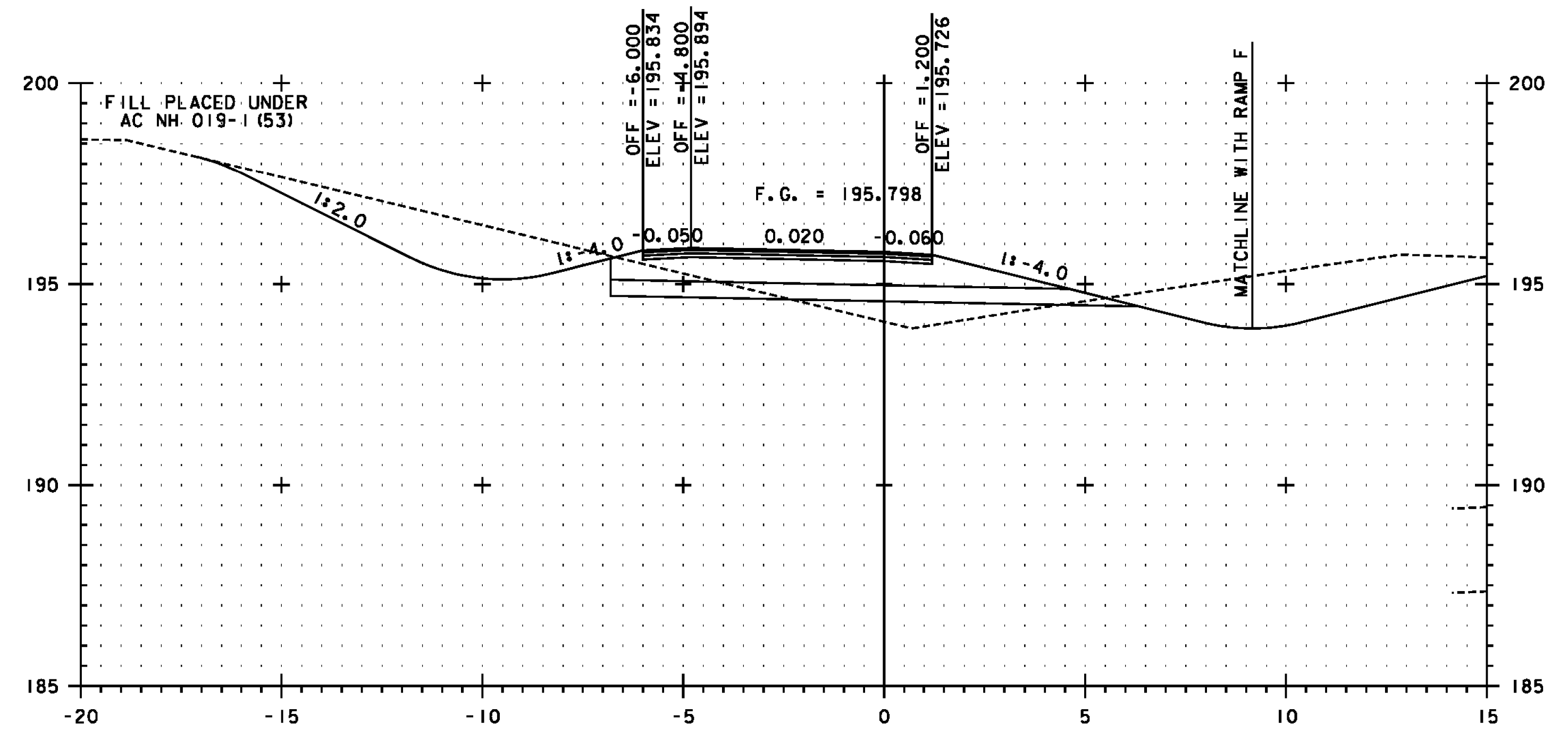


T I+120



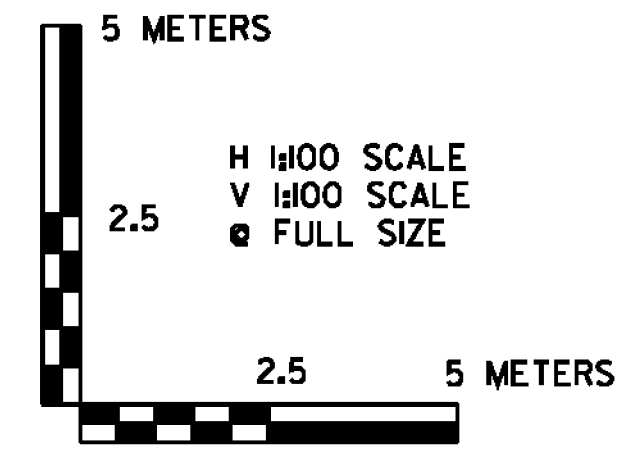
T I+100



T I+136.937

SEE NOTE ON SHEET 413

SEE REVISED SHEET



PROJECT NAME:	BENNINGTON
PROJECT NUMBER:	NH 019-(154)
FILE NAME:	...plot_files\zd307c4xs.rampT.ptf
DESIGN SUPERVISOR:	GREG EDWARDS
DESIGNED BY:	MARC FOISY
DRAWN BY:	STANTEC
CHECKED BY:	GARY SANTY
RAMP T CROSS SECTION	TXS-02
PLOT DATE:	1/26/2010
SHEET	414 OF 468

1/26/2010 4:58:00 PM v:\1953\getlive\1953\0002\tr\anspor\station\dr\w\ng\con\tr\cpt_4\plot_files\zd307c4xs.rampT.ptf