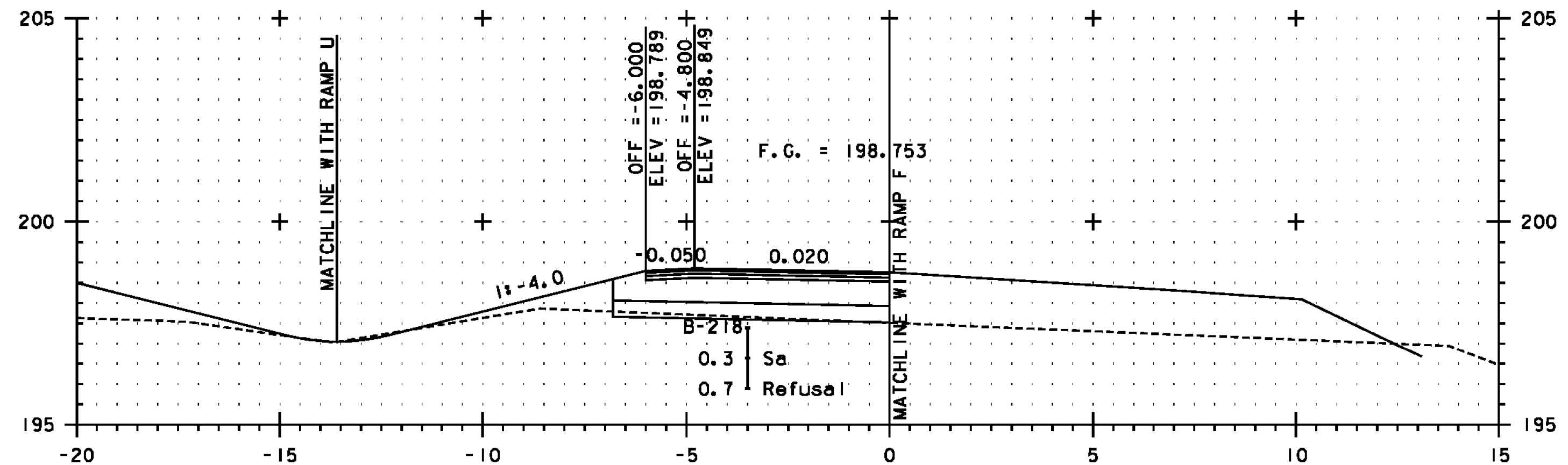
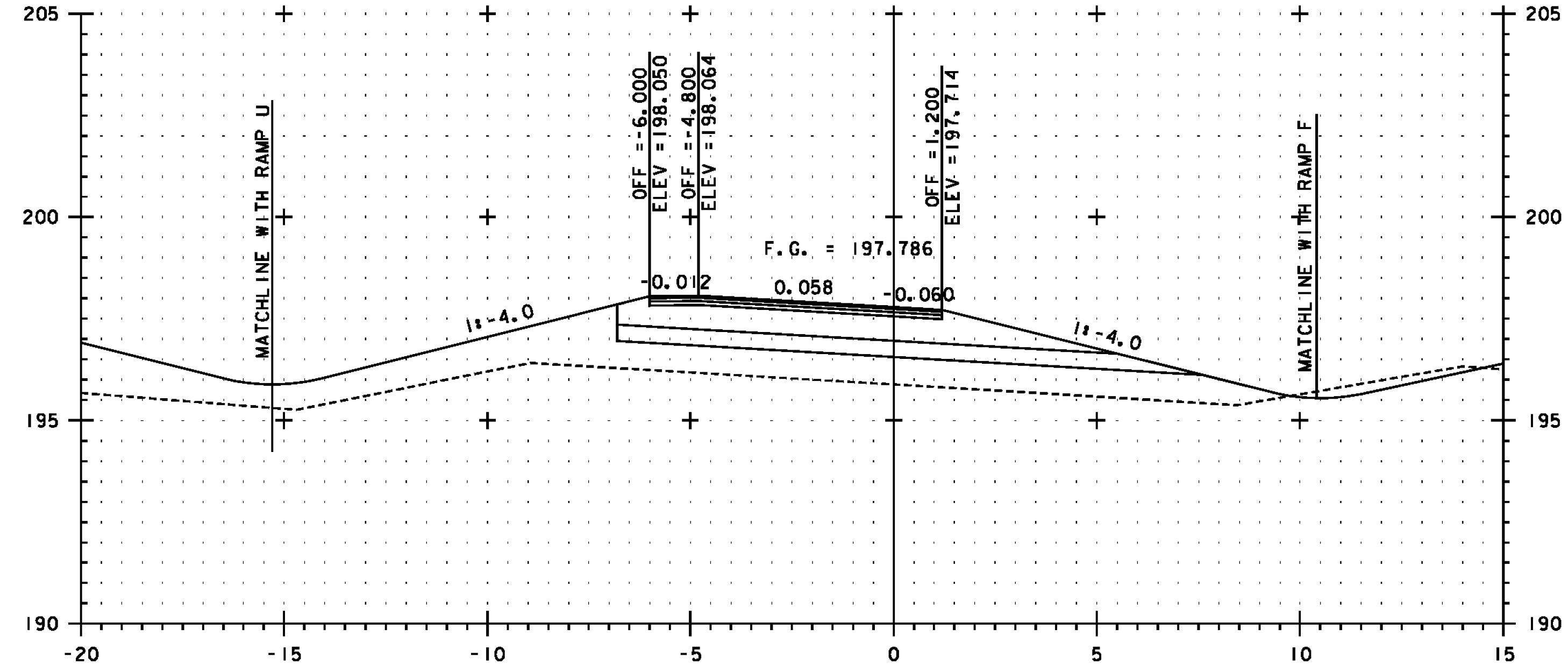


T 1+060

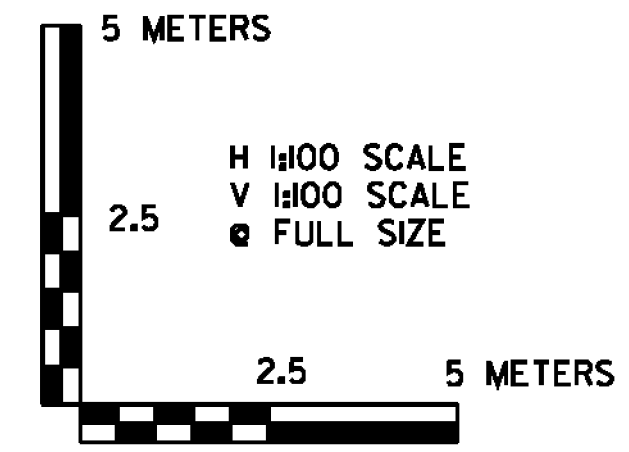


T 1+040



T 1+080

NOTE: FINAL CROSS SECTIONS FOR RAMP T ARE CONTAINED IN THE FINAL COMP BOOKS FOR ITEM 203.15 - COMMON EXCAVATION



SEE REVISED SHEETS

PROJECT NAME:	BENNINGTON
PROJECT NUMBER:	NH 019-(154)
FILE NAME:	...\\plot_files\zd307c4xs_rampT.pptf
DESIGN SUPERVISOR:	GREG EDWARDS
DESIGNED BY:	MARC FOISY
RAMP T CROSS SECTION	TXS-01
PLOT DATE:	1/26/2010
DRAWN BY:	STANTEC
CHECKED BY:	GARY SANTY
SHEET	413 OF 468

1/26/2010 4:57:59 PM v:\1953\getlive\19530002\tr\anspor\station\drawng\comp\tr\comp1.ppt