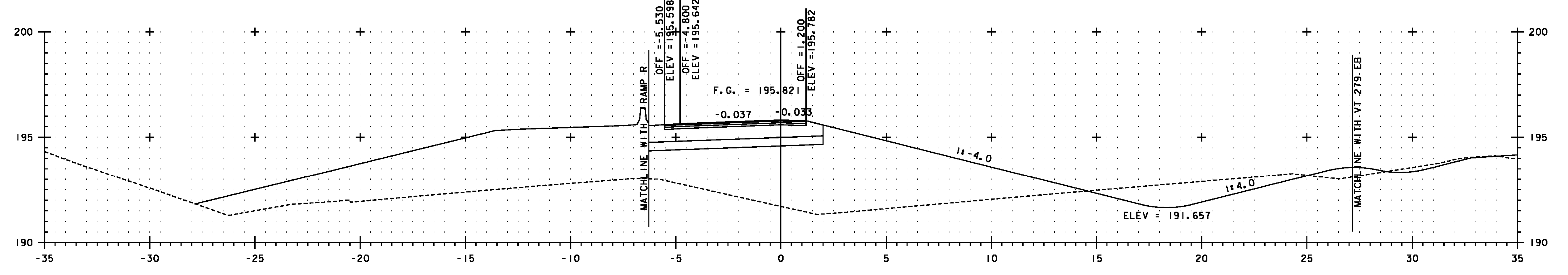
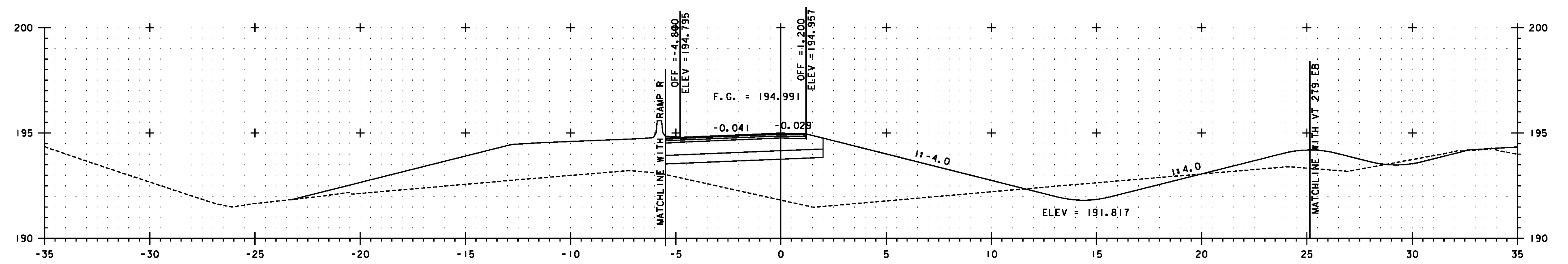


S 2+040



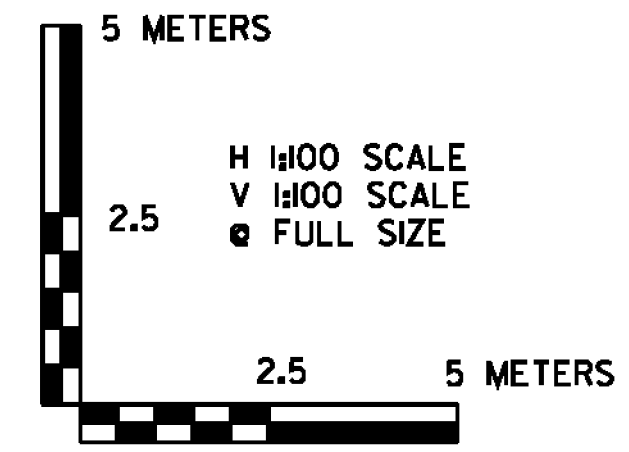
S 2+020



S 2+000.000 = R 1+075.154, 11.6m LT.

FOR SECTIONS BETWEEN S 1+204.059 AND S 2+000.000 SEE RAMP G AND RAMP R SECTIONS

SEE NOTE ON SHEET 407



	PROJECT NAME: BENNINGTON
	PROJECT NUMBER: NH 019-(154)
FILE NAME: ...\\plot_files\zd307c4xs.rampS.ptf	PLOT DATE: 1/26/2010
DESIGN SUPERVISOR: GREG EDWARDS	DRAWN BY: STANTEC
DESIGNED BY: MARC FOISY	CHECKED BY: GARY SANTY
RAMP S CROSS SECTION SXS-04	SHEET 410 OF 468

1/26/2010 4:57:55 PM v:\1953\getlive\19530002\transportation\drawing\comp\trac\4\plot\_files\zd307c4xs.rampS.ptf