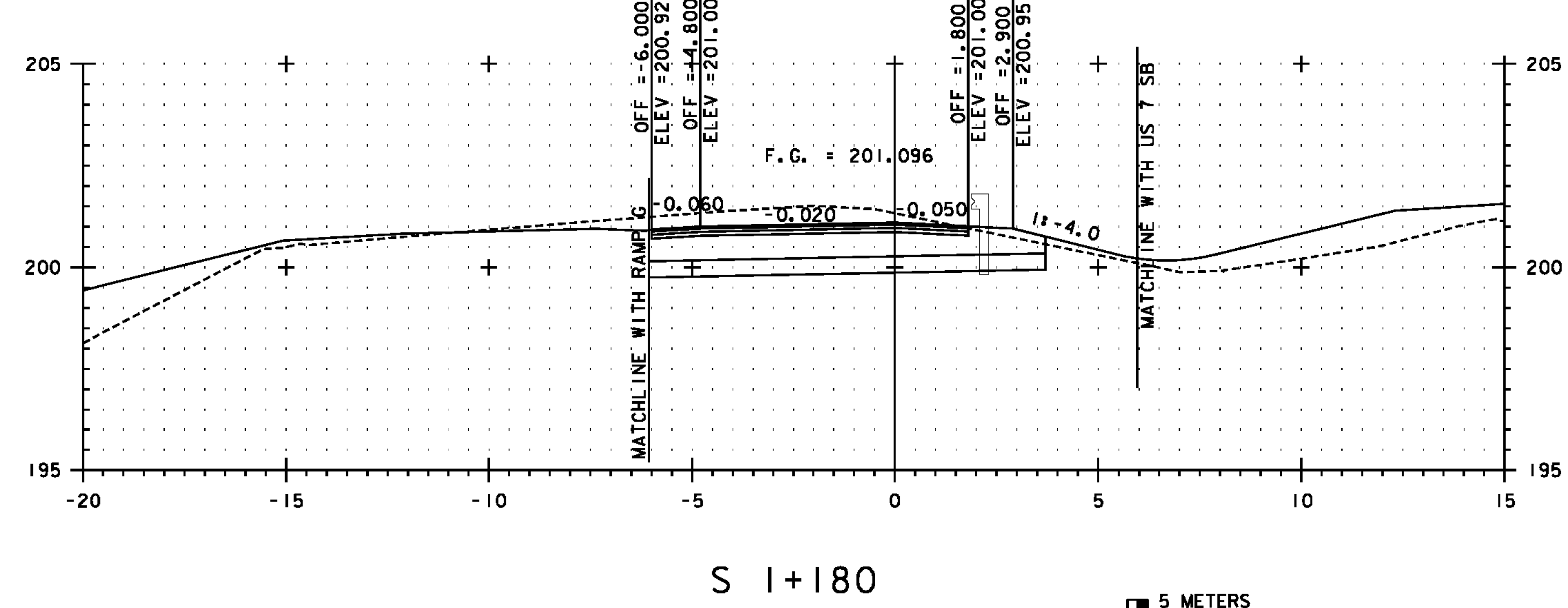
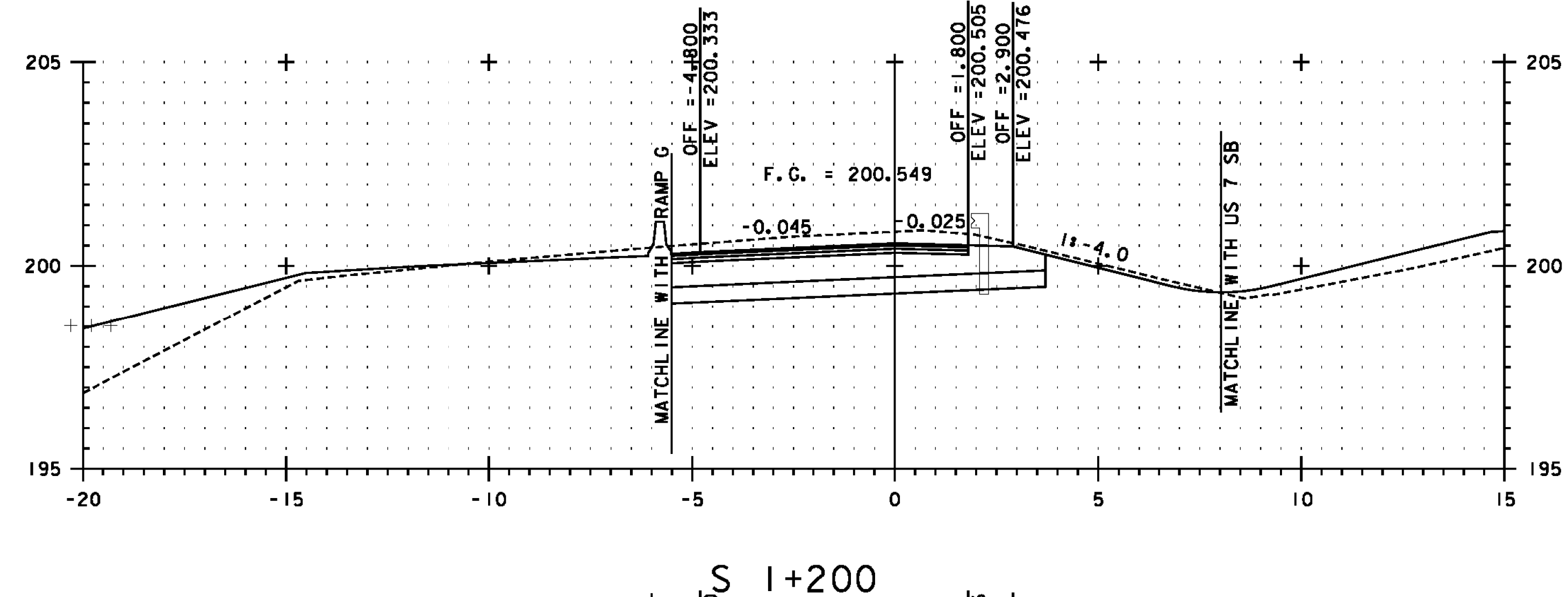


FOR SECTIONS BETWEEN S 1+204.059 AND S 2+000.000 SEE RAMP G AND RAMP R SECTIONS



SEE NOTE ON SHEET 407



PROJECT NAME:	BENNINGTON
PROJECT NUMBER:	NH 019-(154)
FILE NAME:	...plot_files\zd307c4xs.rampS.ptf
PLOT DATE:	1/26/2010
DESIGN SUPERVISOR:	GREG EDWARDS
DRAWN BY:	STANTEC
DESIGNED BY:	MARC FOISY
CHECKED BY:	GARY SANTY
RAMP S CROSS SECTION SXS-03	SHEET 409 OF 468

1/26/2010 4:57:55 PM v:\1953\active\1953\002A\trampS\plot\trampS.dwg\ng\confr\cpl\_4\plot\_files\zd307c4xs.rampS.ptf