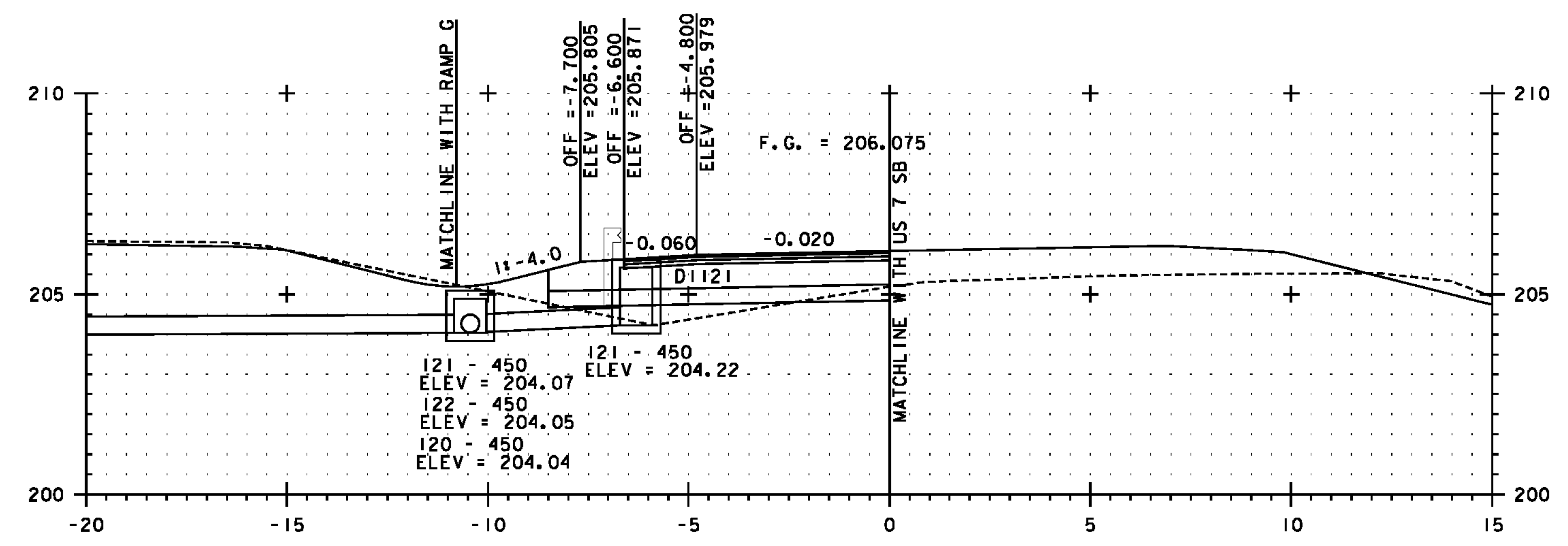
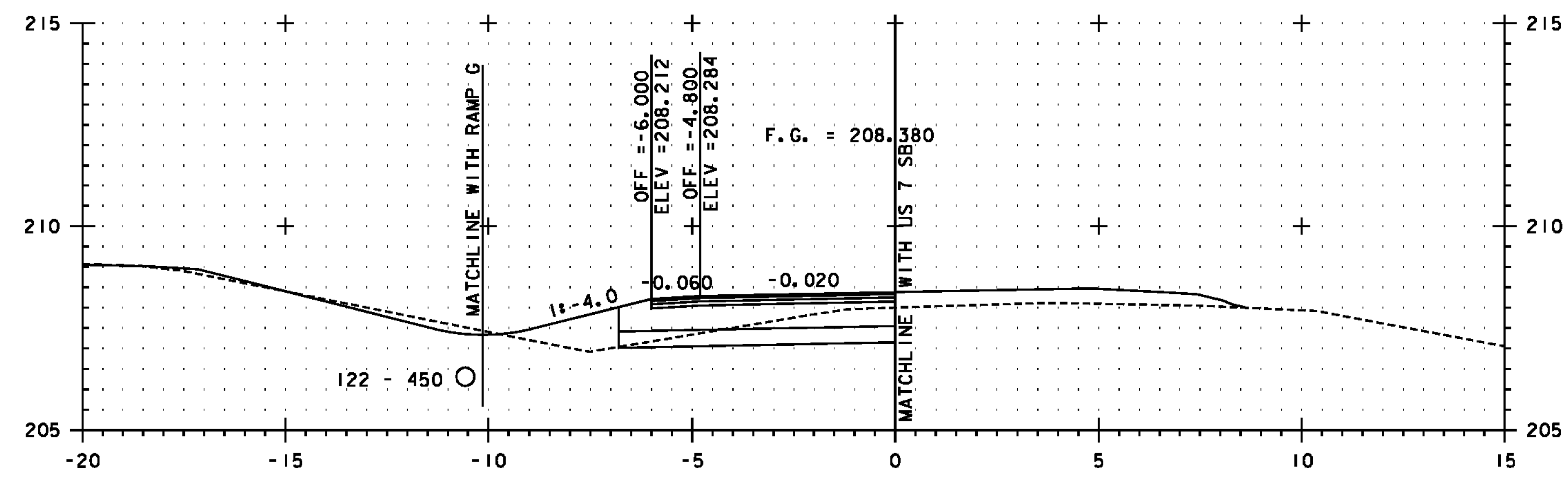


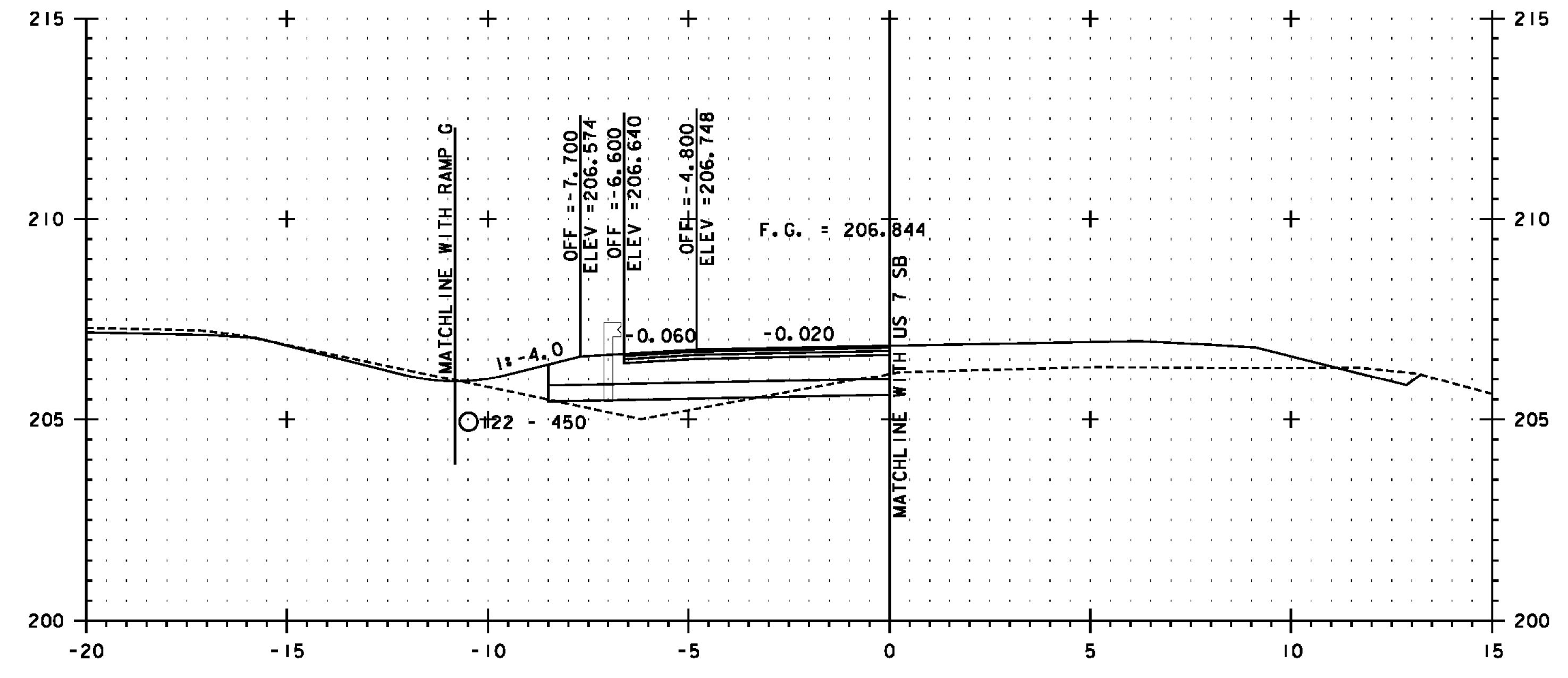
S I+020



S I+060

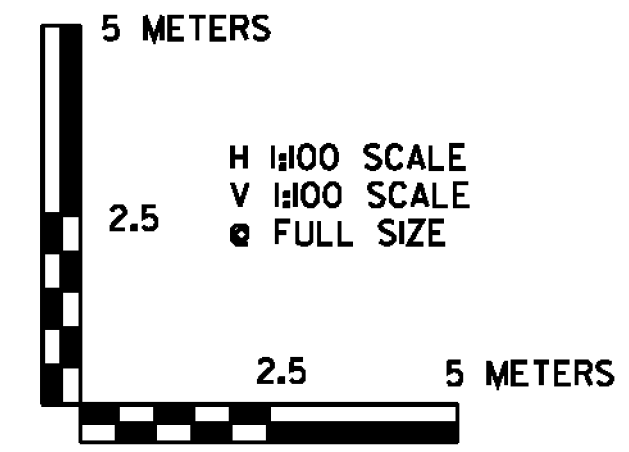


S I+000.000 = SB I+080.481, 4.8m RT.



S I+040

NOTE: FINAL CROSS SECTIONS FOR RAMP S ARE CONTAINED IN THE FINAL COMP BOOKS FOR ITEM 203.15 - COMMON EXCAVATION



PROJECT NAME:	BENNINGTON
PROJECT NUMBER:	NH 019-(154)
FILE NAME:	...plot_files\zd307c4xs.rampS.ptf
PLOT DATE:	1/26/2010
DESIGN SUPERVISOR:	GREG EDWARDS
DESIGNED BY:	MARC FOISY
DRAWN BY:	STANTEC
CHECKED BY:	GARY SANTY
RAMP S CROSS SECTION	SXS-01
SHEET	407 OF 468

1/26/2010 4:57:52 PM v:\1953\getlive\19530002\tr\anspor\station\dr\cm\ng\com\tr\def_4\plot_files\zd307c4xs.rampS.ptf