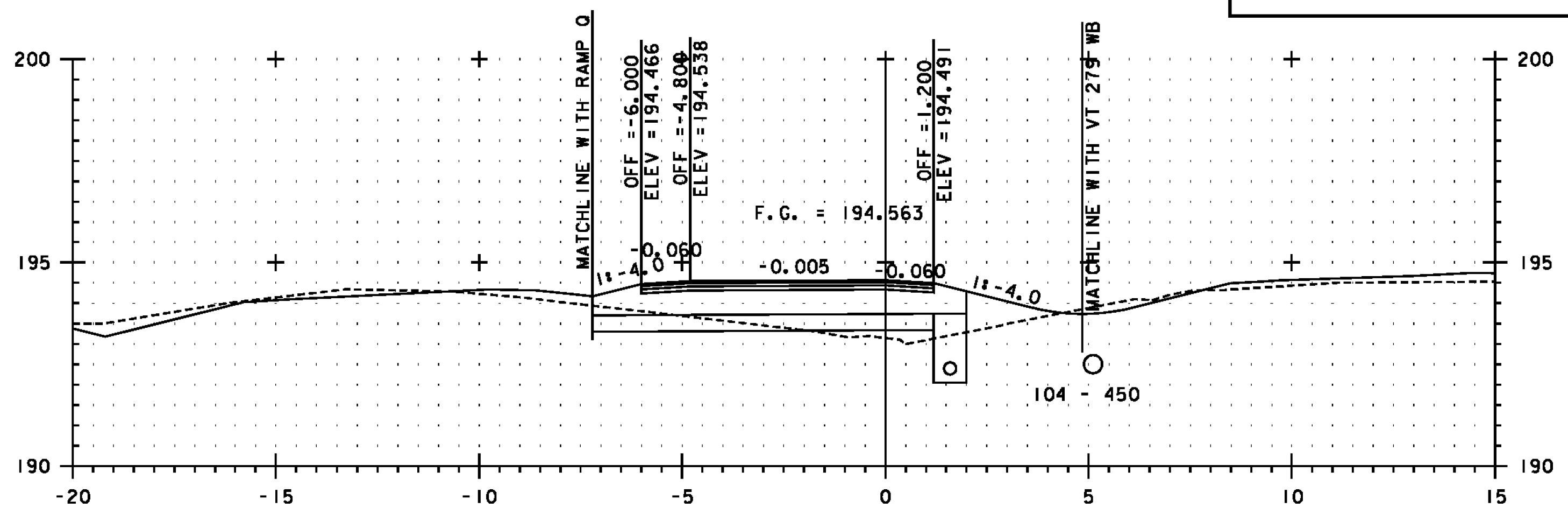
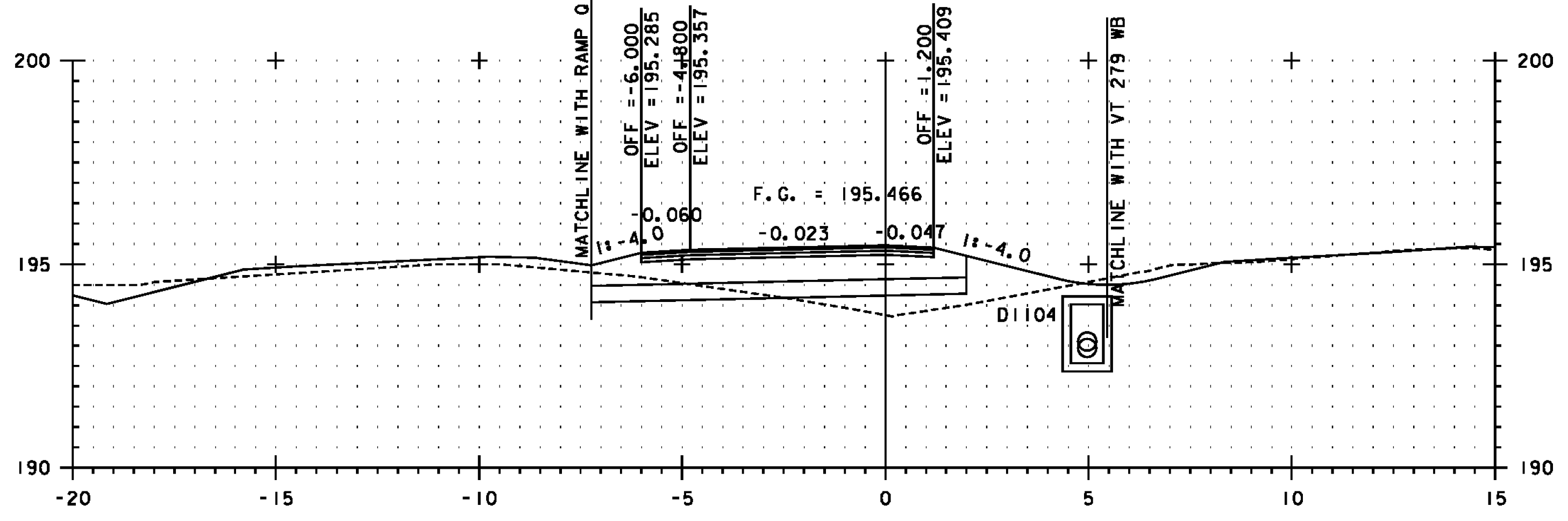


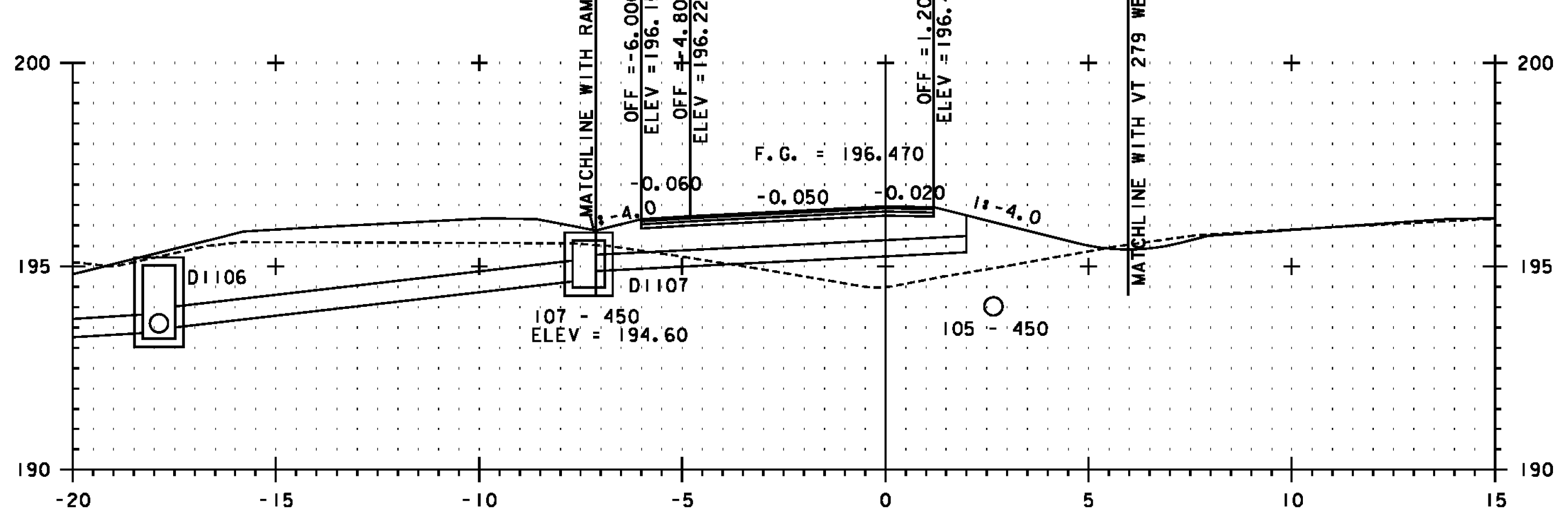
P I+100



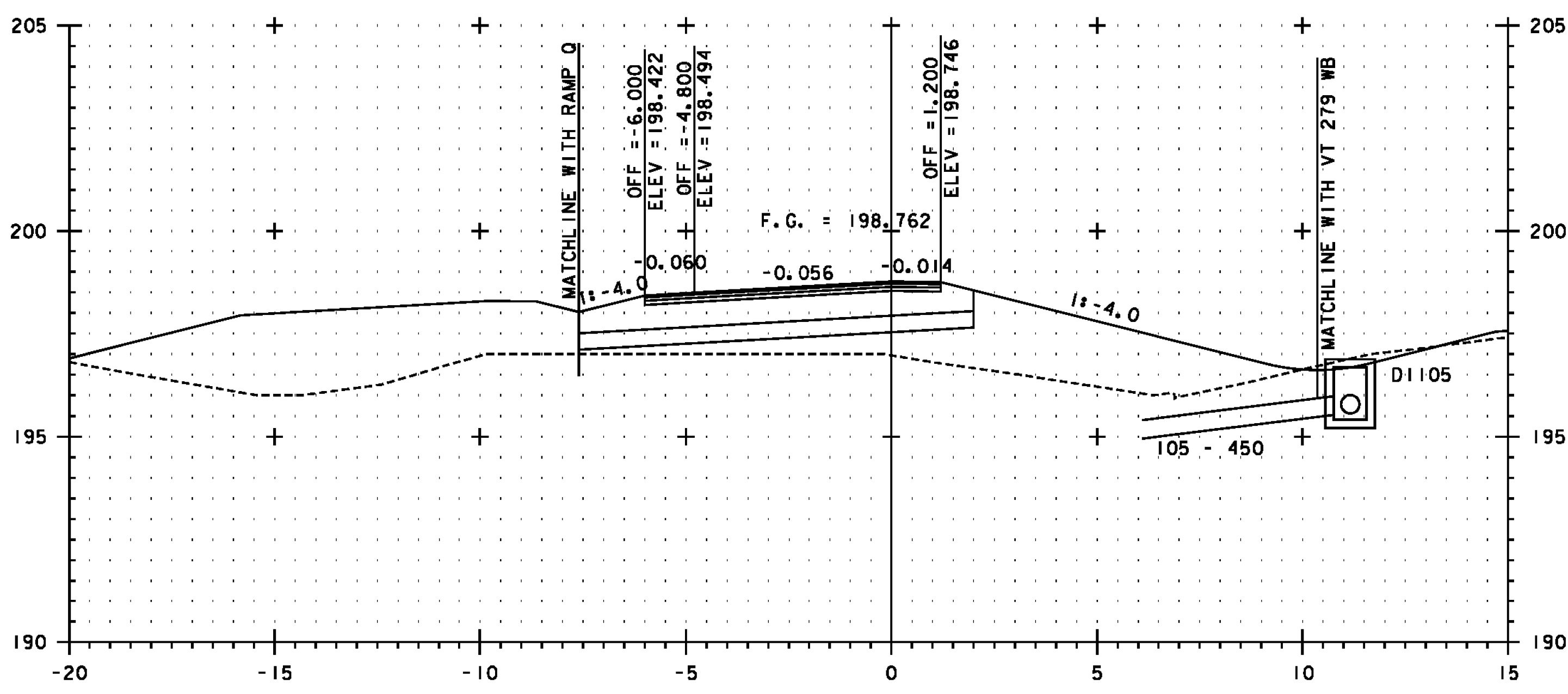
P I+160



P I+140

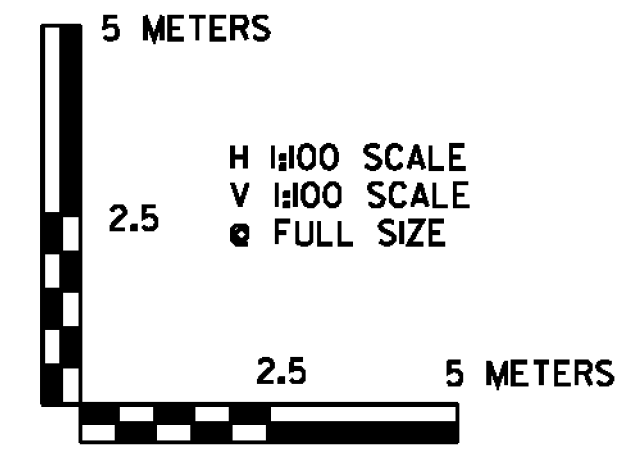


P I+120



P I+080

SEE NOTE ON SHEET 397



PROJECT NAME:	BENNINGTON
PROJECT NUMBER:	NH 019-(154)
FILE NAME:	...plot_files\zd307c4xs.rampP.ptf
PLOT DATE:	1/26/2010
DESIGN SUPERVISOR:	GREG EDWARDS
DRAWN BY:	STANTEC
DESIGNED BY:	MARC FOISY
CHECKED BY:	GARY SANTY
RAMP P CROSS SECTION	PXS-02
SHEET	398 OF 468

1/26/2010 4:57:38 PM v:\1953\getlive\19530002\trampsporf\101\drw\ng\confr\001_4\plot_files\zd307c4xs.rampP.ptf