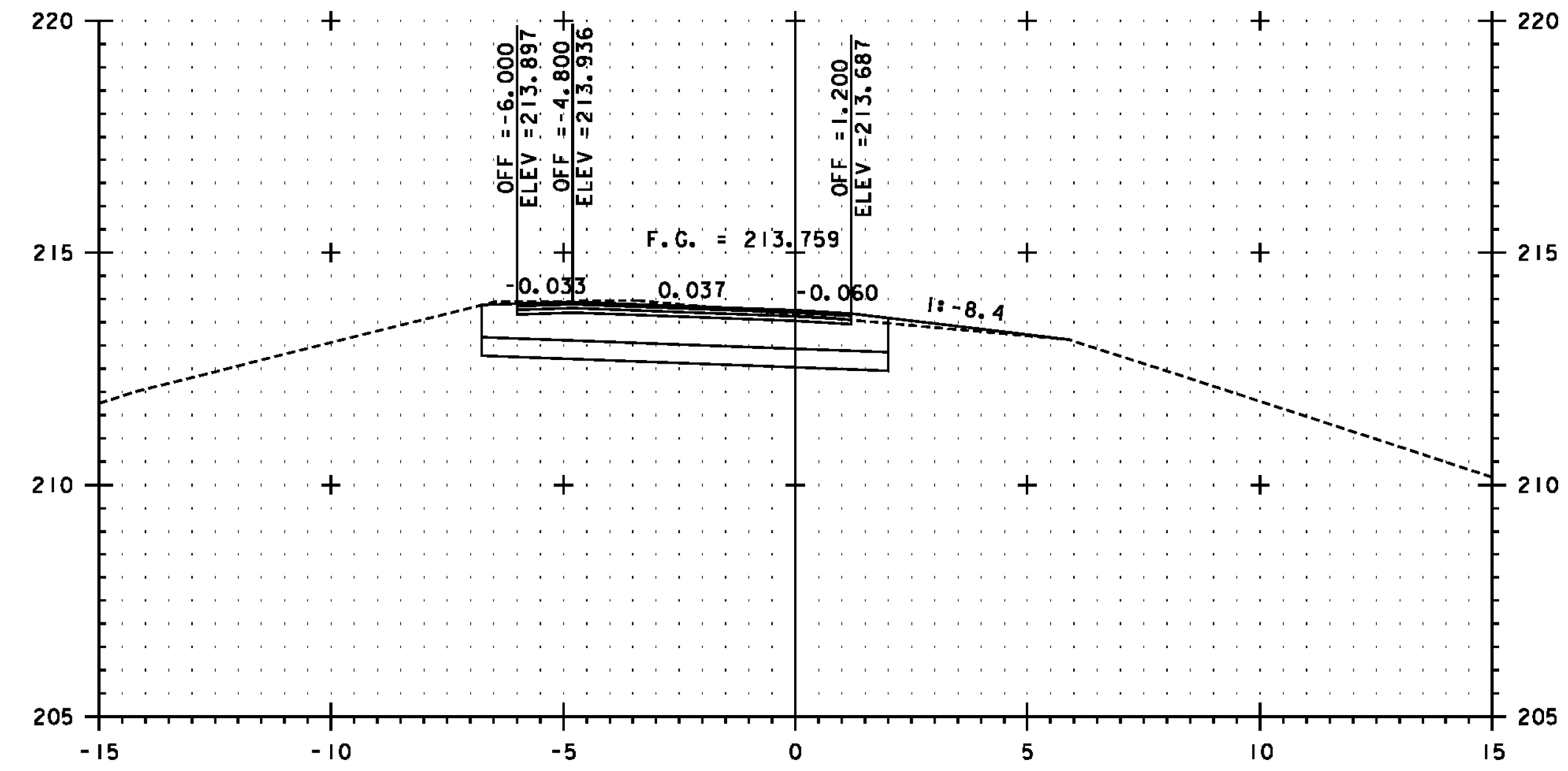
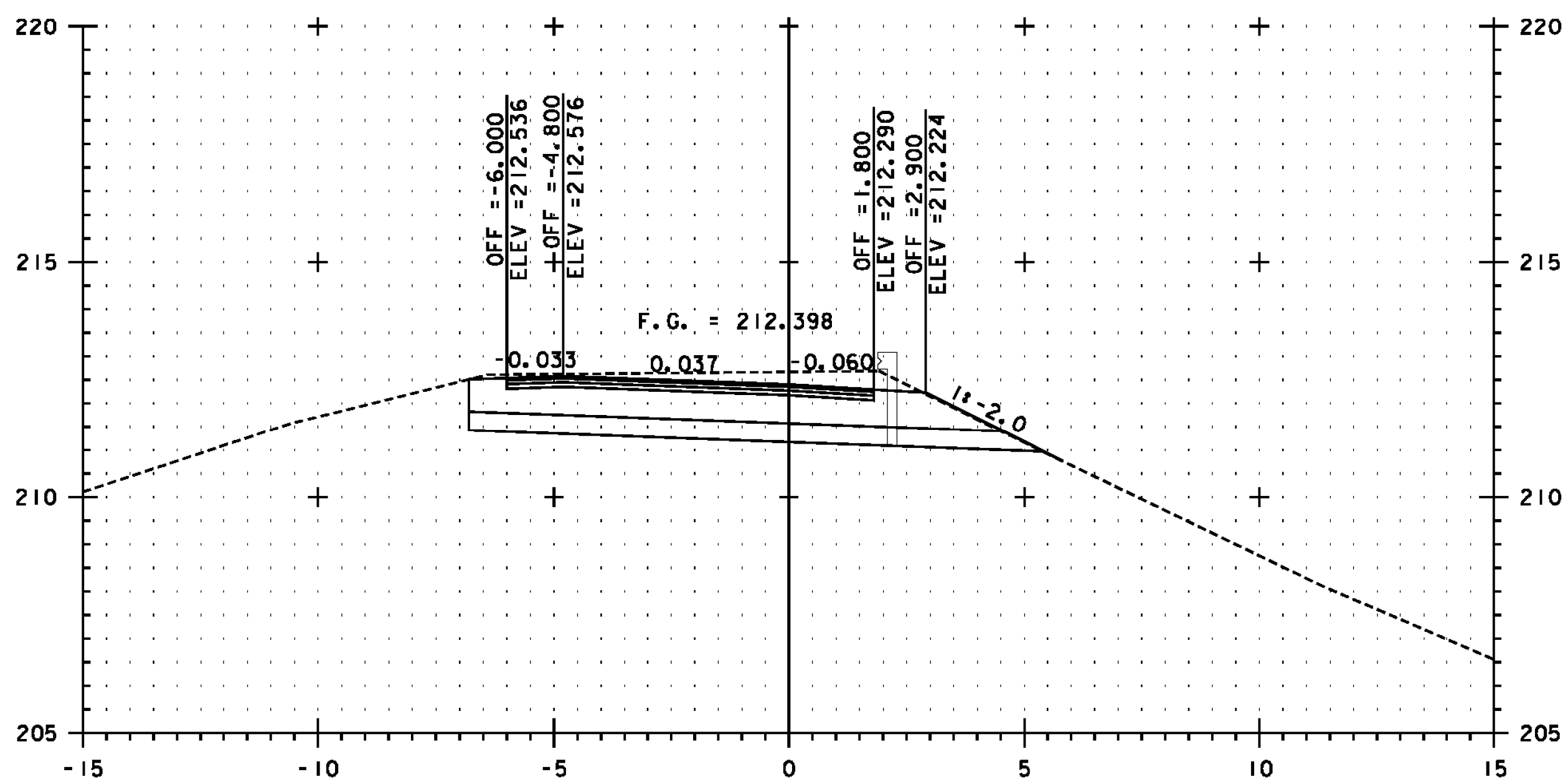


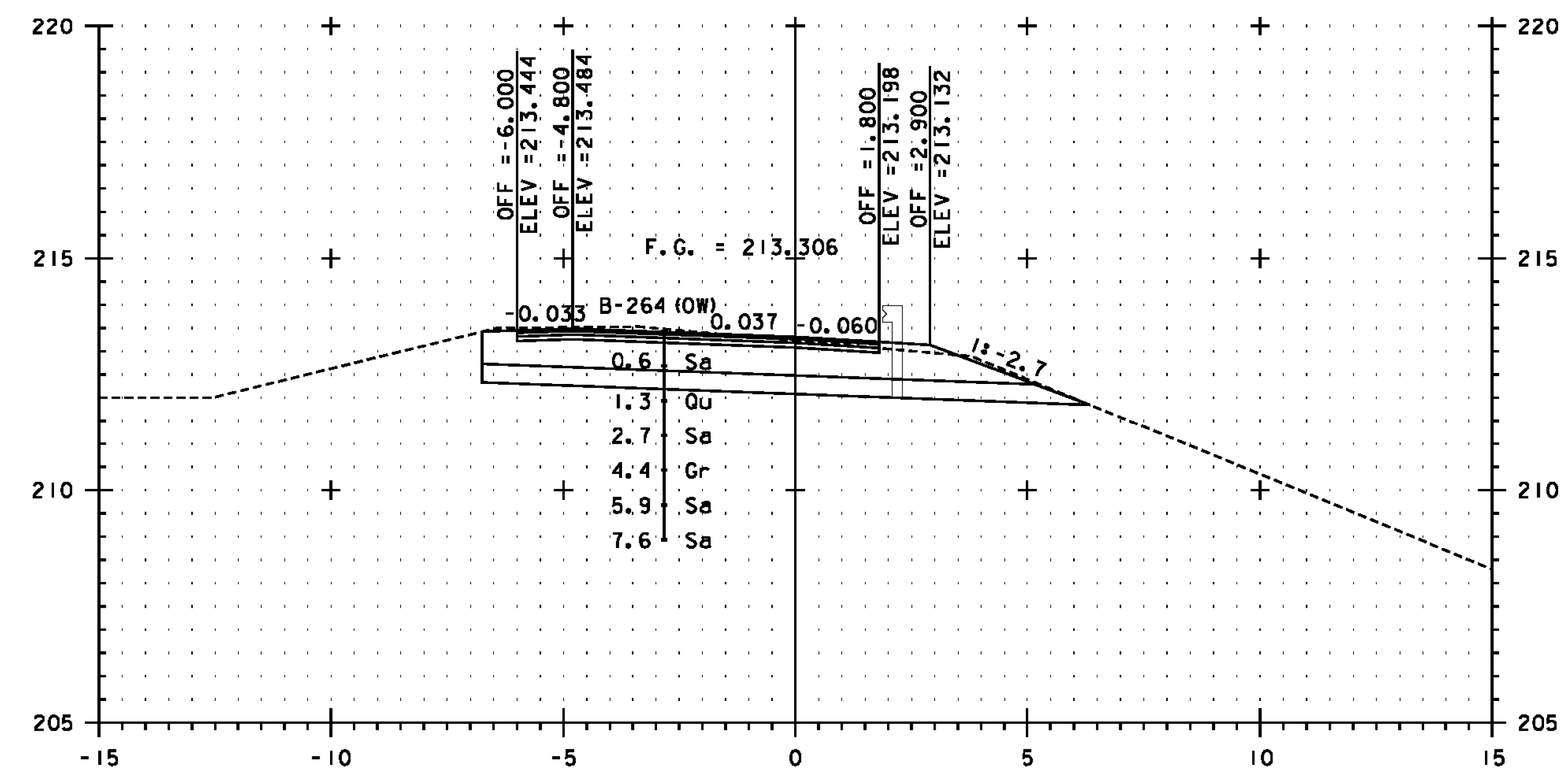
L 1+240



L 1+280

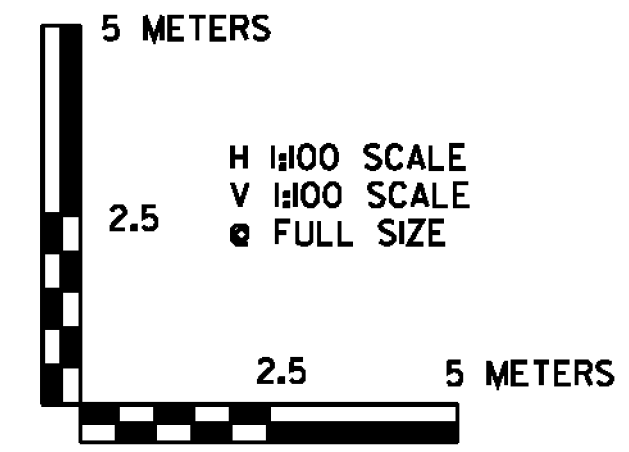


L 1+220



L 1+260

SEE NOTE ON SHEET 382



PROJECT NAME:	BENNINGTON
PROJECT NUMBER:	NH 019-(54)
FILE NAME:	...plot_files\zd307c4xs.rampL.pft
PLOT DATE:	1/26/2010
DESIGN SUPERVISOR:	GREG EDWARDS
DRAWN BY:	STANTEC
DESIGNED BY:	MARC FOISY
CHECKED BY:	GARY SANTY
RAMP L CROSS SECTION	LXS-04
	SHEET 391 OF 468

1/26/2010 4:57:29 PM v:\1953\active\1953\0002\transportation\dwg\constr\cst\_4\plot\_files\zd307c4xs.rampL.pft