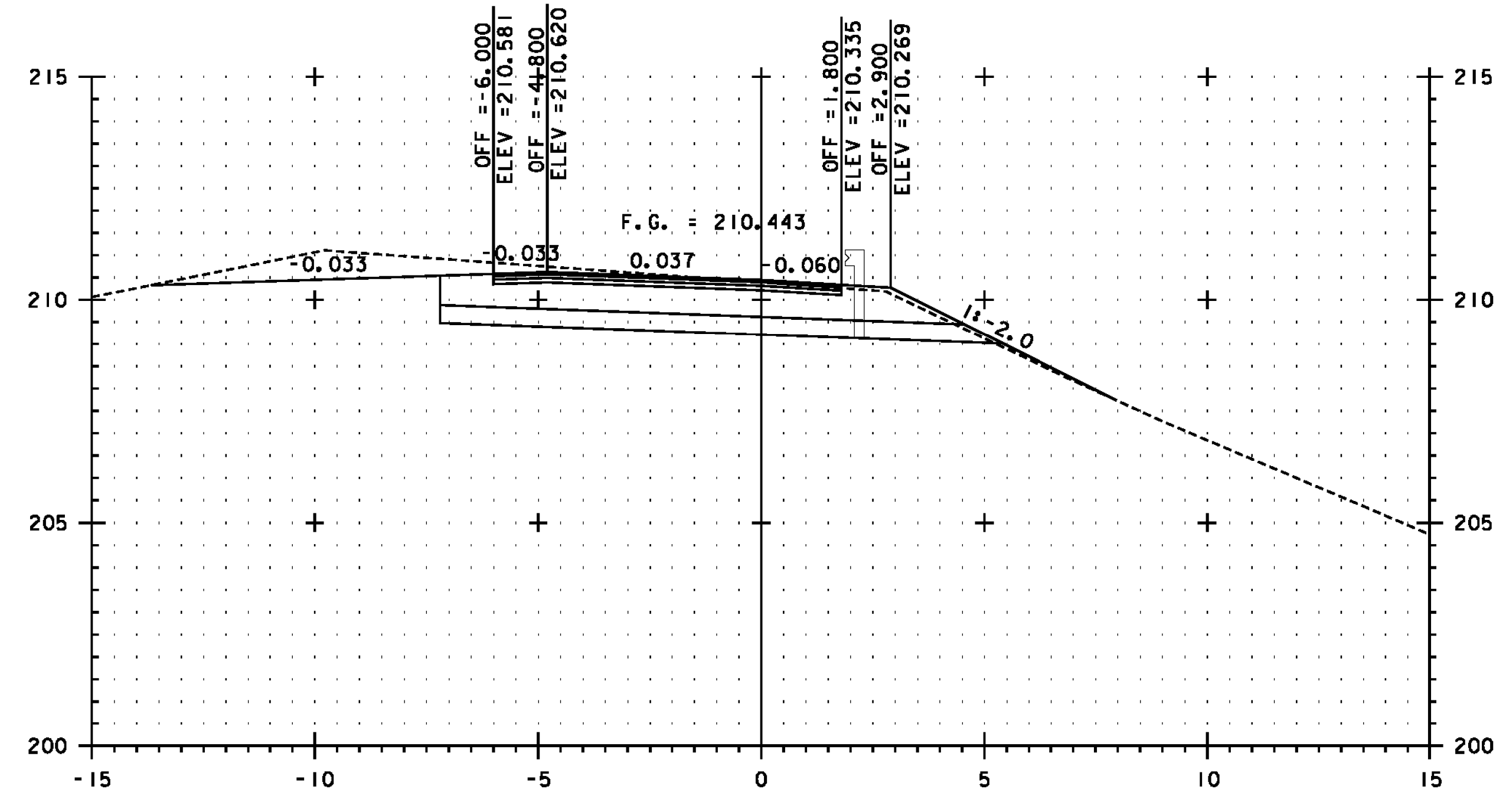
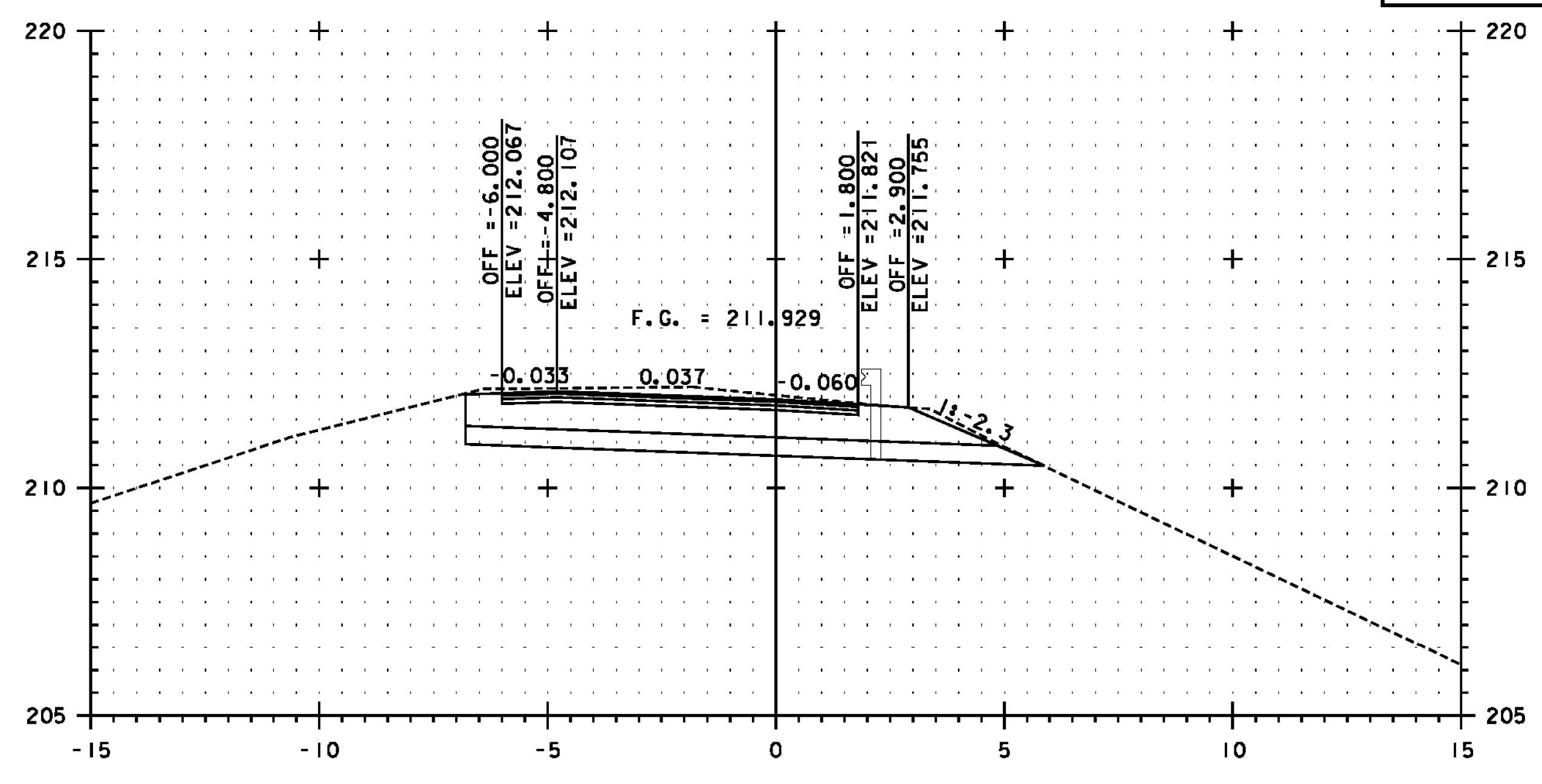


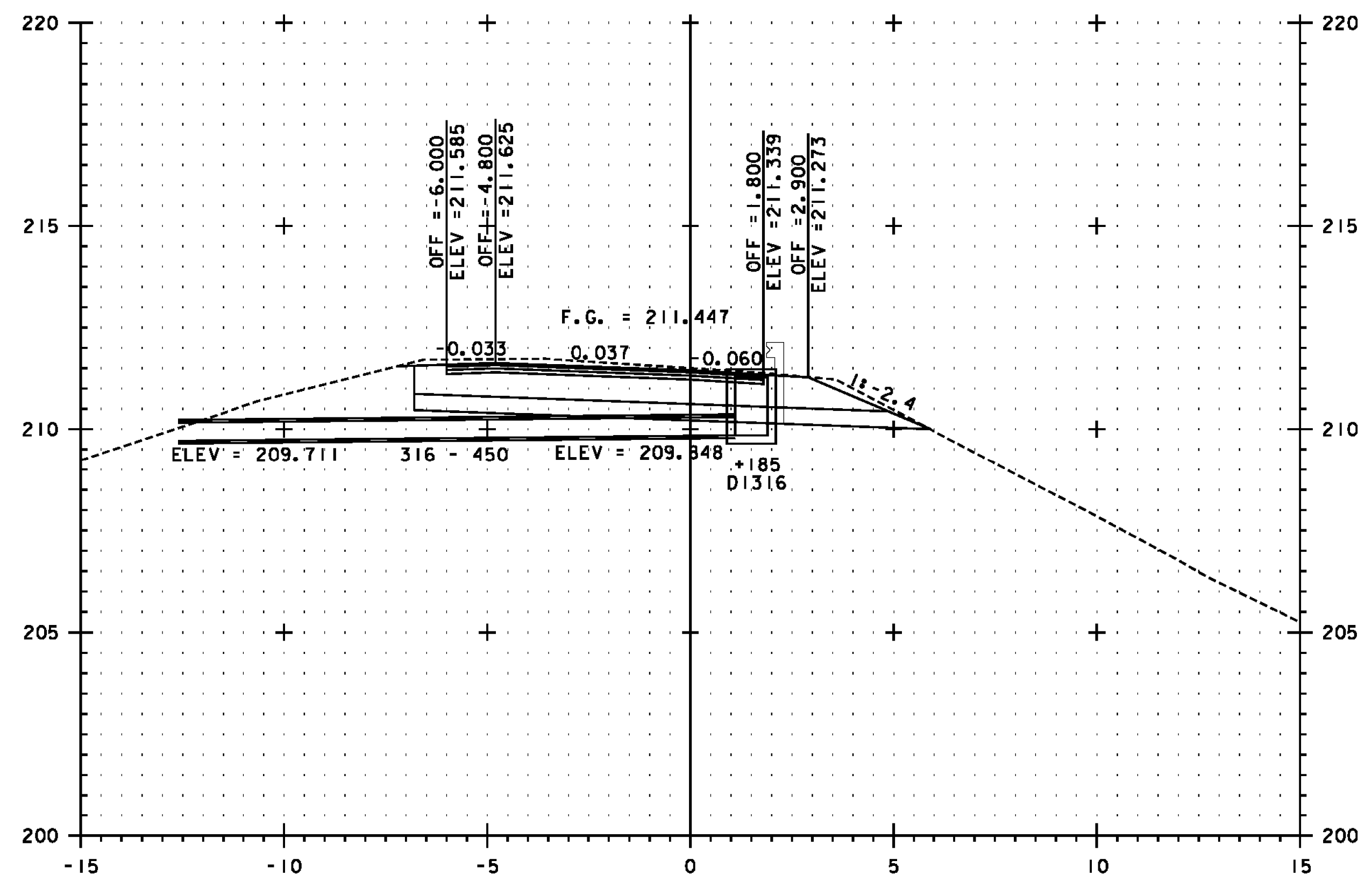
L 1+160



L 1+140

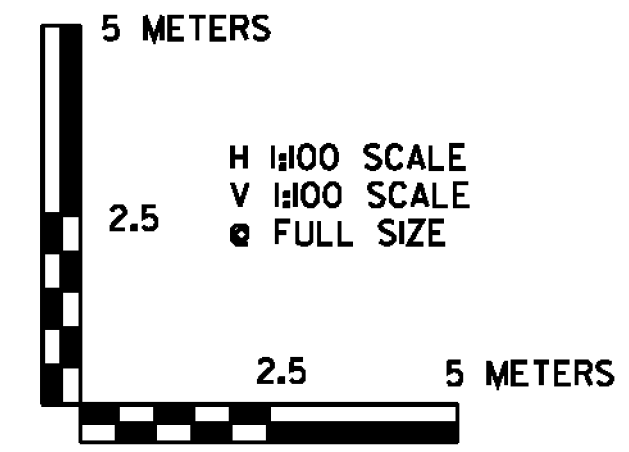


L 1+200



L 1+180

SEE NOTE ON SHEET 382



	PROJECT NAME: BENNINGTON
	PROJECT NUMBER: NH 019-(154)
FILE NAME: ...\plot_files\zd307c4xs.rampL.pptf	PLOT DATE: 1/26/2010
DESIGN SUPERVISOR: GREG EDWARDS	DRAWN BY: STANTEC
DESIGNED BY: MARC FOISY	CHECKED BY: GARY SANTY
<b>RAMP L CROSS SECTION LXS-03</b>	
SHEET 390 OF 468	

1/26/2010 4:57:28 PM v:\1953\getlive\19530002\transportation\drawings\constr\c01\_4\plot\_files\zd307c4xs.rampL.pptf