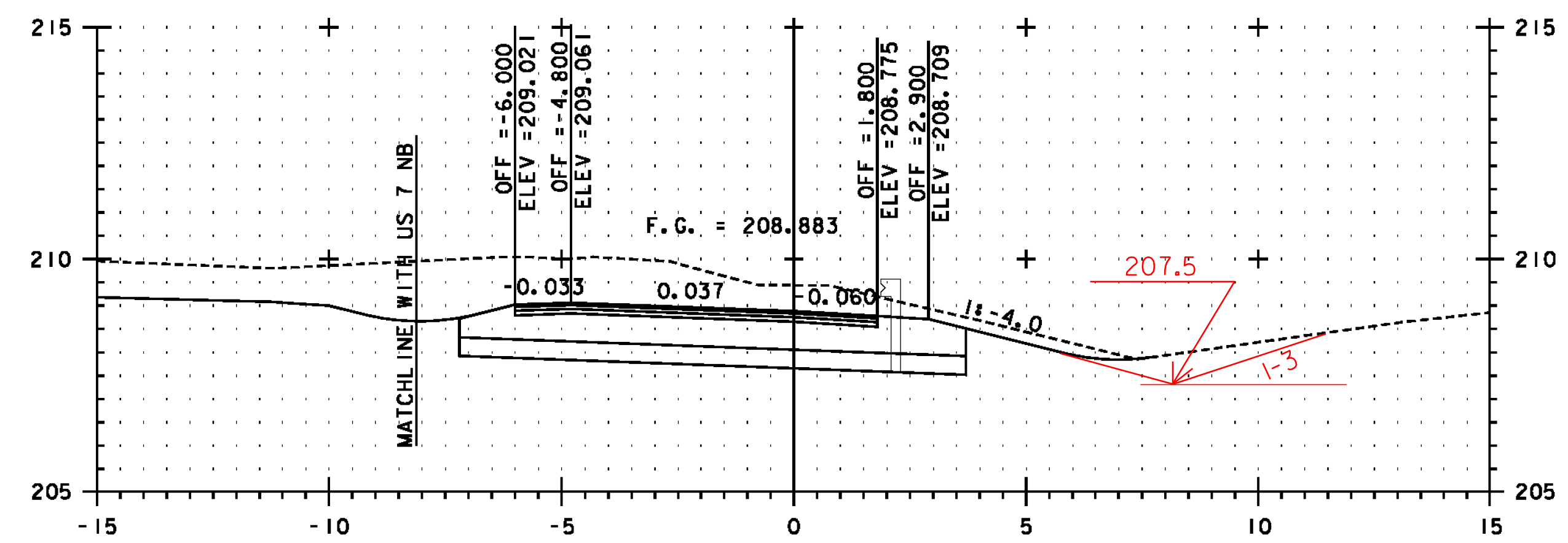
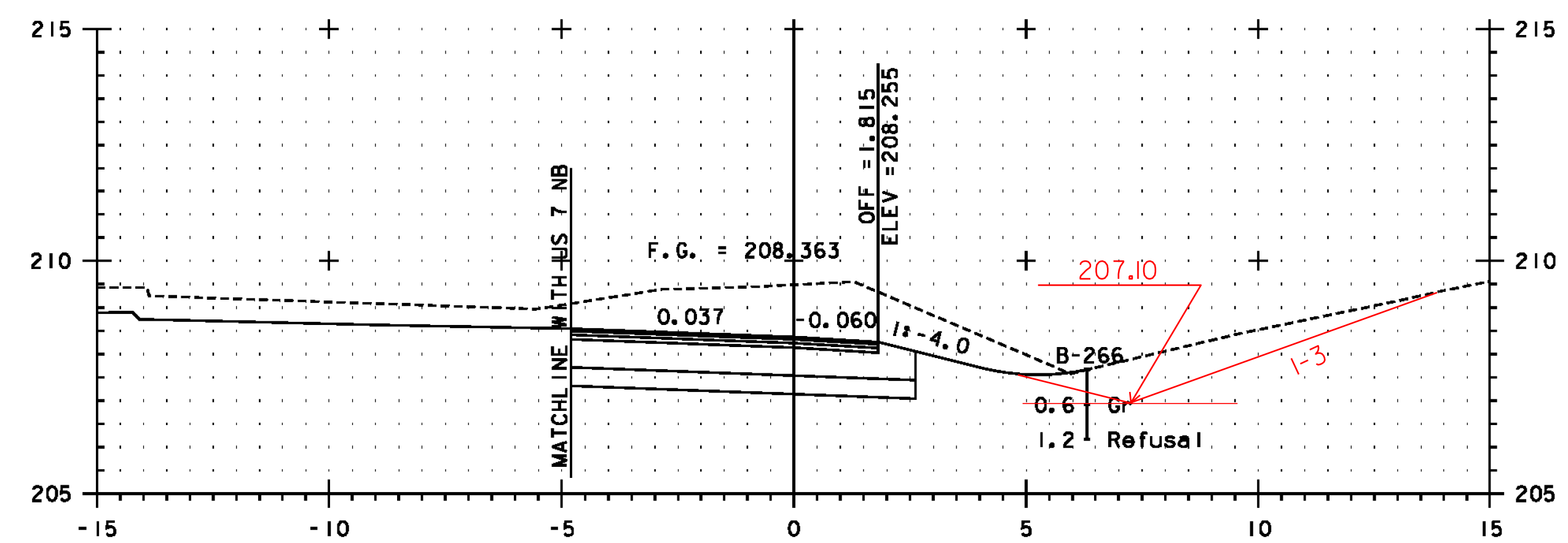


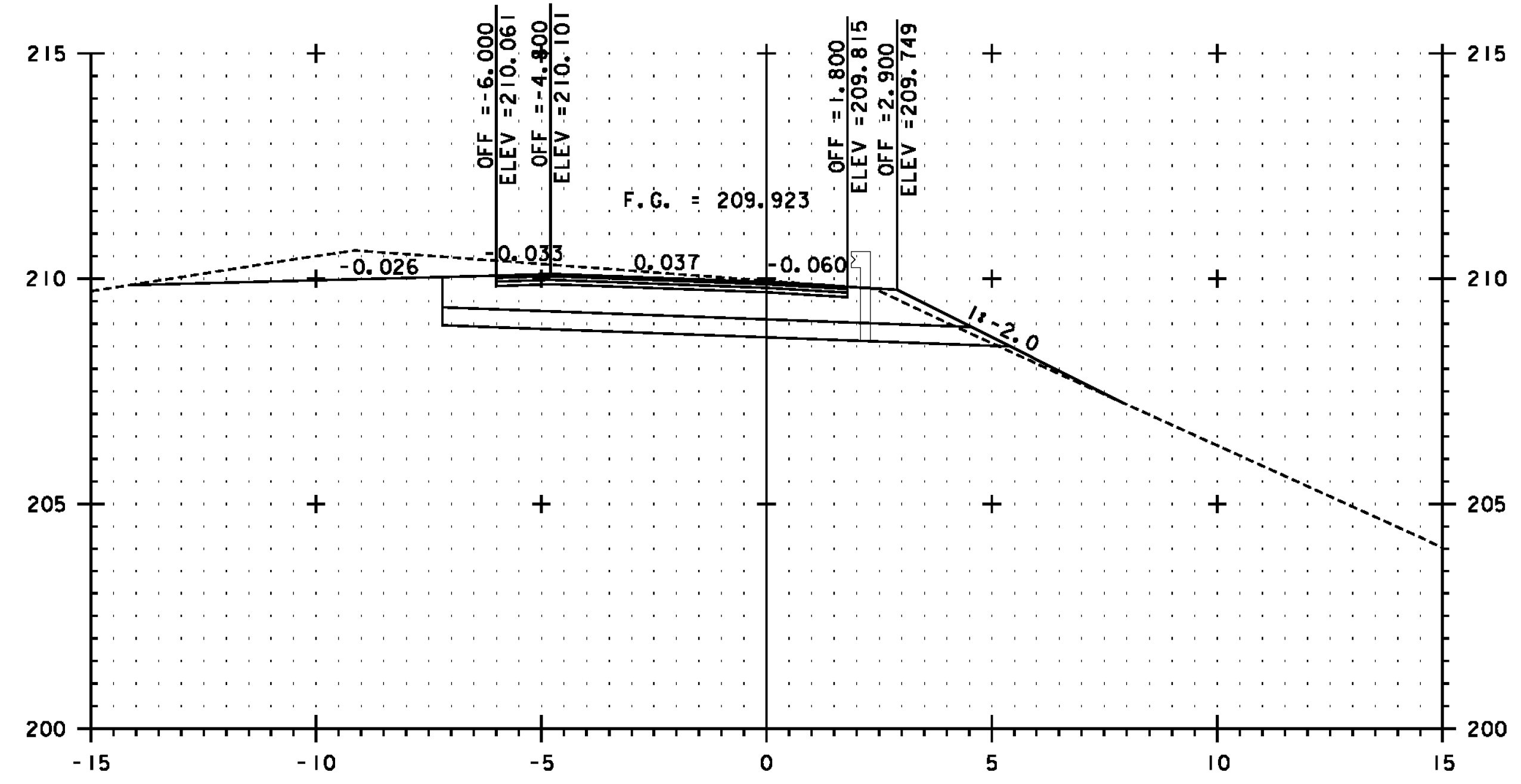
DITCH LINE REVISIONS



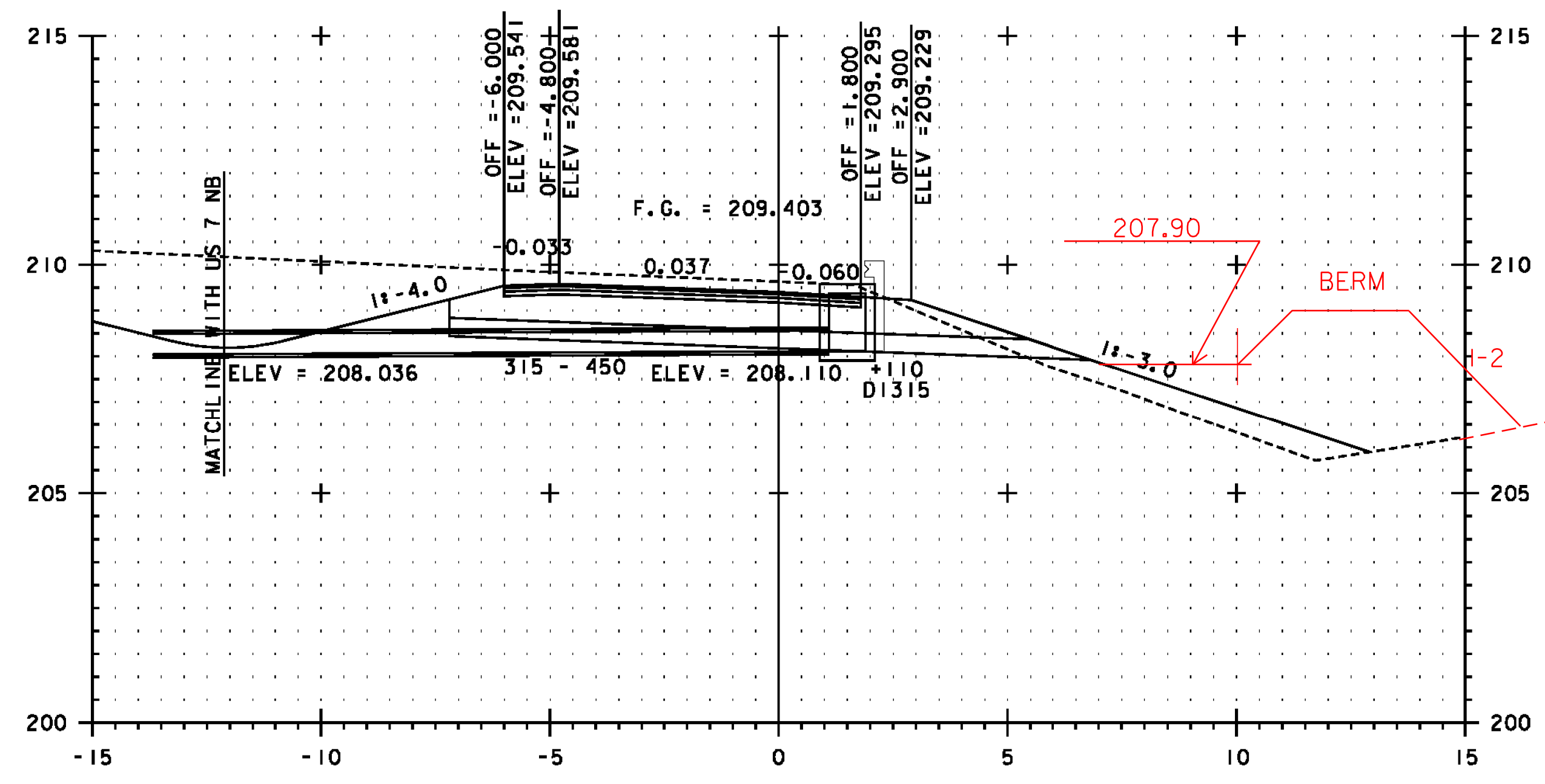
L 1+080



L 1+060

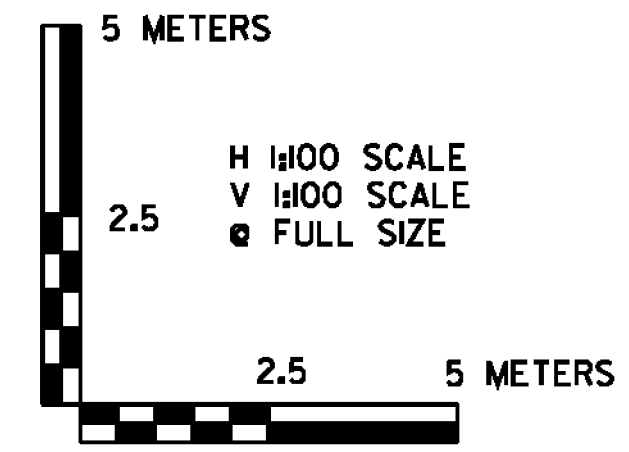


L 1+120



L 1+100

SEE NOTE ON SHEET 382



PROJECT NAME:	BENNINGTON
PROJECT NUMBER:	NH 019-(154)
FILE NAME:	...plot_files\zd307c4xs.rampL.pft
DESIGN SUPERVISOR:	GREG EDWARDS
DESIGNED BY:	MARC FOISY
DRAWN BY:	STANTEC
CHECKED BY:	GARY SANTY
RAMP L CROSS SECTION	LXS-02
PLOT DATE:	1/26/2010
SHEET	389 OF 468

1/26/2010 4:57:26 PM v:\1953\active\19530002\tr\anspor\station\dr\cm\ng\con\tr\cst_4\p101_files\zd307c4xs.rampL.pft