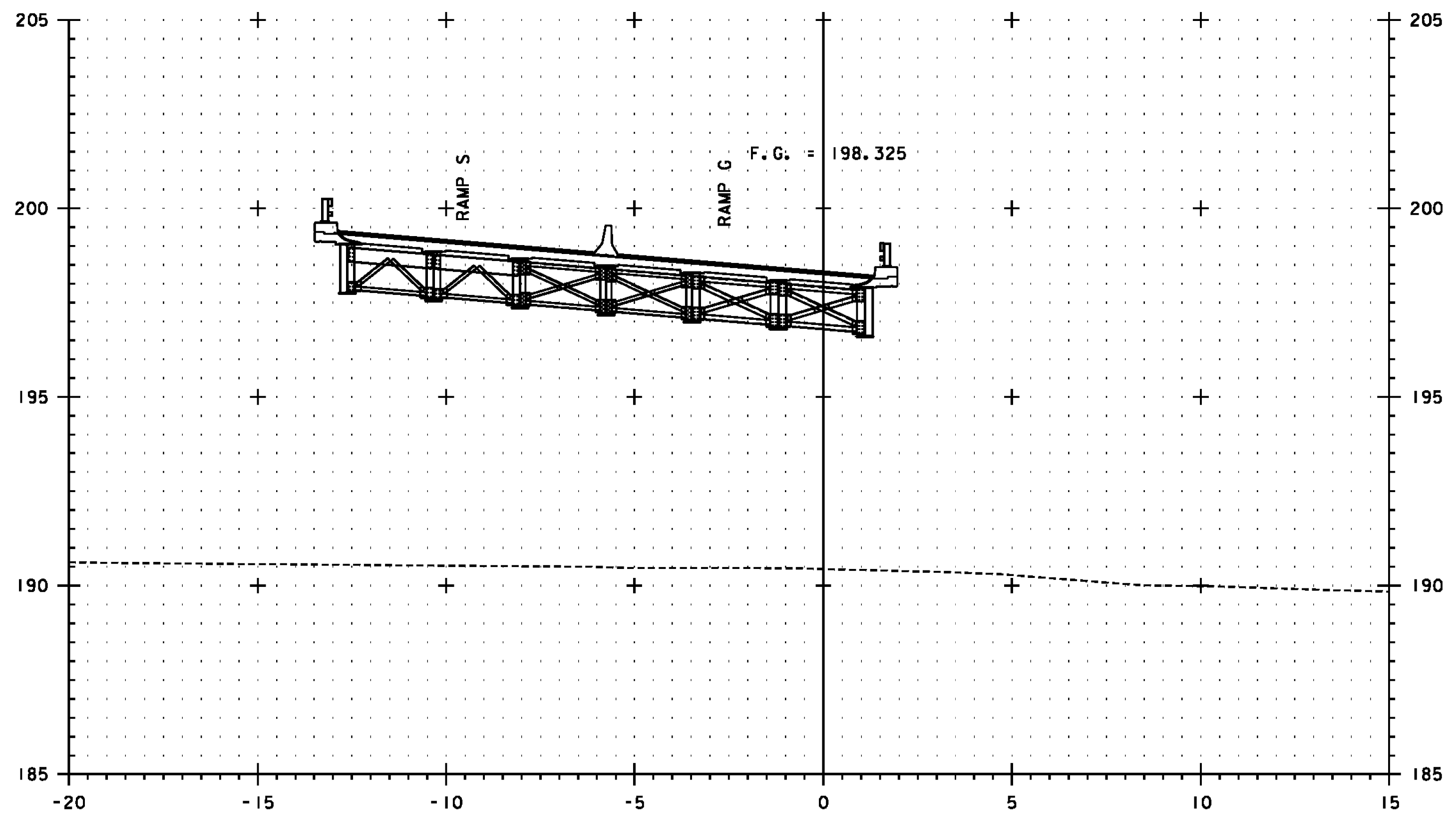


G 1+980



G 1+960

SEE NOTE ON SHEET 370



PROJECT NAME: BENNINGTON	
PROJECT NUMBER: NH 019-(154)	
FILE NAME: ...\plot_files\zd307c4xs.rampG.ptf	PLOT DATE: 1/26/2010
DESIGN SUPERVISOR: GREG EDWARDS	DRAWN BY: STANTEC
DESIGNED BY: MARC FOISY	CHECKED BY: GARY SANTY
RAMP G CROSS SECTION GXS-06	SHEET 375 OF 468

1/26/2010 4:57:08 PM v:\1953\active\1953\0002\transportation\drawing\contract\4\plot_files\zd307c4xs.rampG.ptf