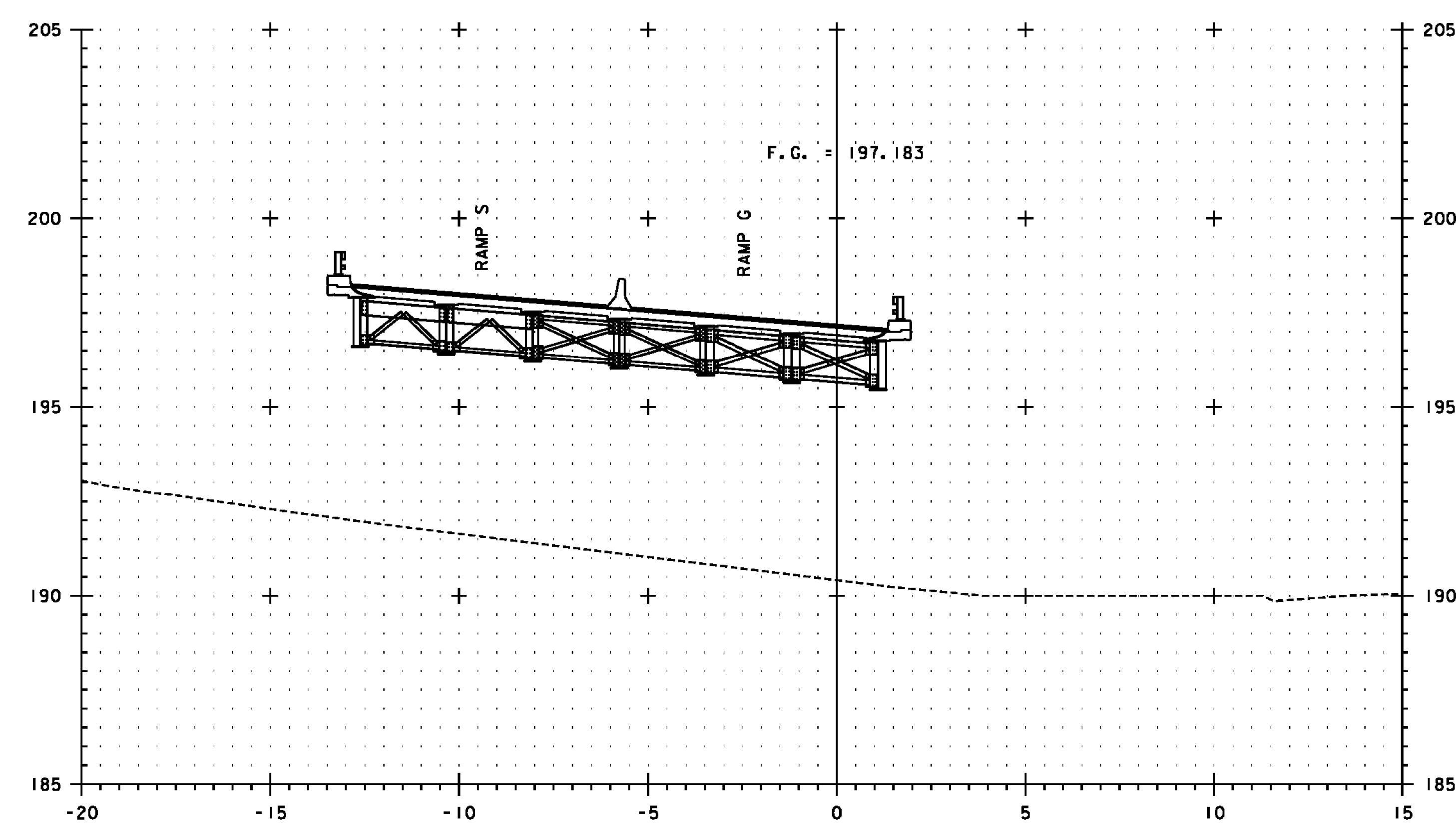
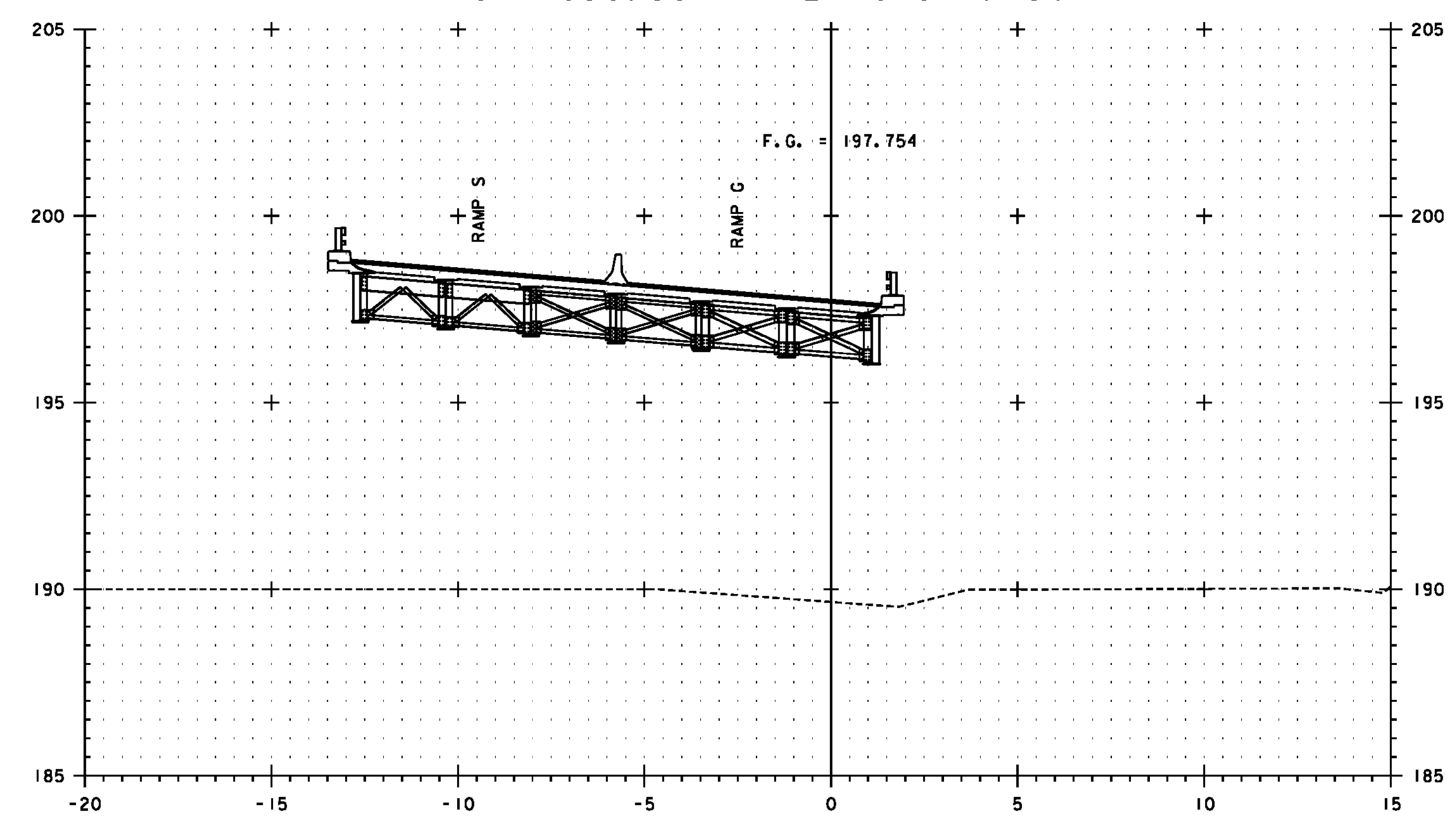


G 1+928.358 = G 1+267.711



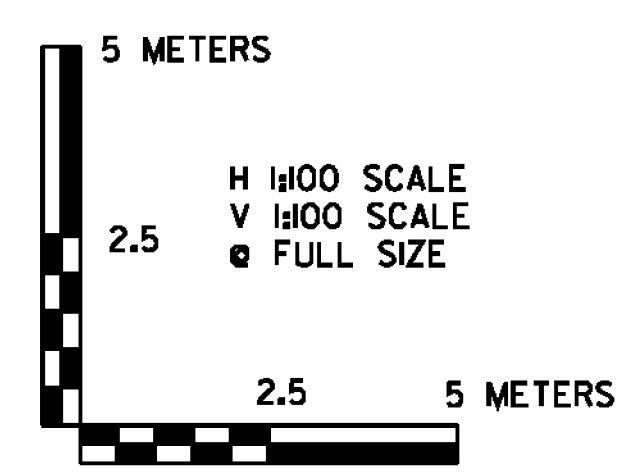
G 1+920

G 1+958.387 = WB 10+811.456



G 1+940

SEE NOTE ON SHEET 370



	PROJECT NAME: BENNINGTON
	PROJECT NUMBER: NH 019-(154)
	FILE NAME: ...\plot_files\zd307c4xs.rampG.ptf PLOT DATE: 1/26/2010 DESIGN SUPERVISOR: GREG EDWARDS DRAWN BY: STANTEC DESIGNED BY: MARC FOISY CHECKED BY: GARY SANTY RAMP G CROSS SECTION GXS-05 SHEET 374 OF 468

1/26/2010 4:57:07 PM v:\1953\getlive\1953\0002\transportation\drawing\constr\cst_4\plot_files\zd307c4xs.rampG.ptf