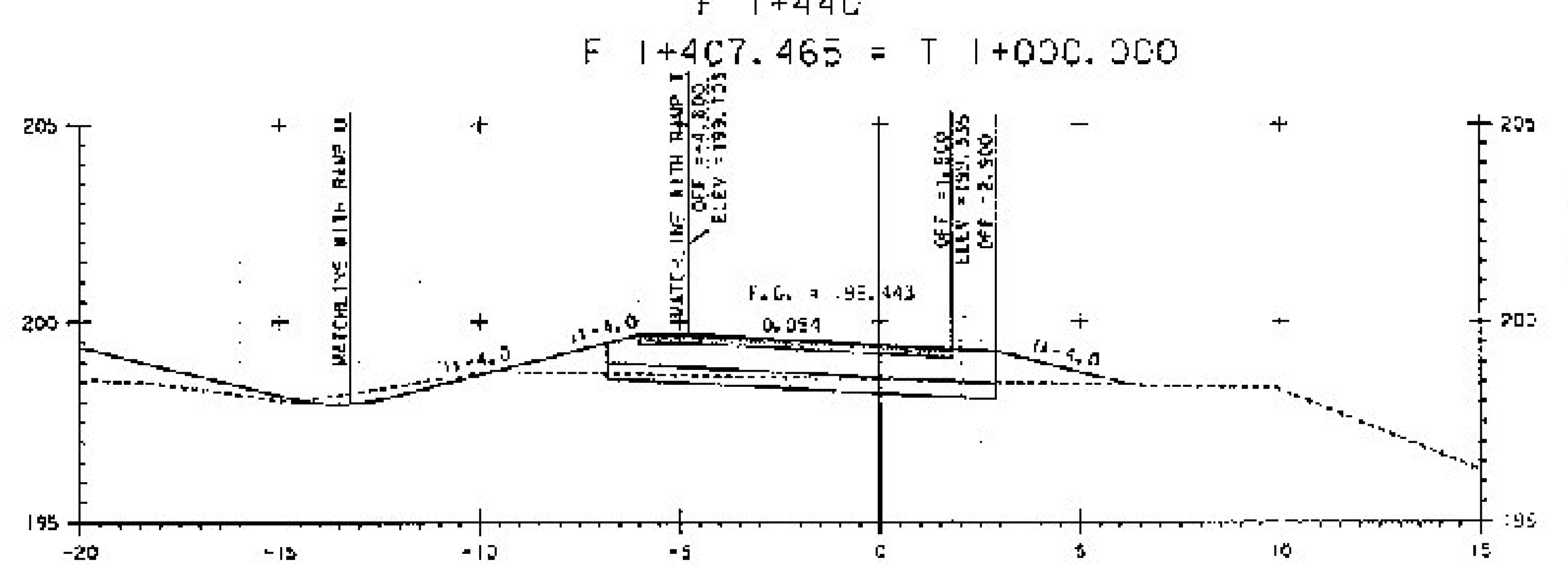
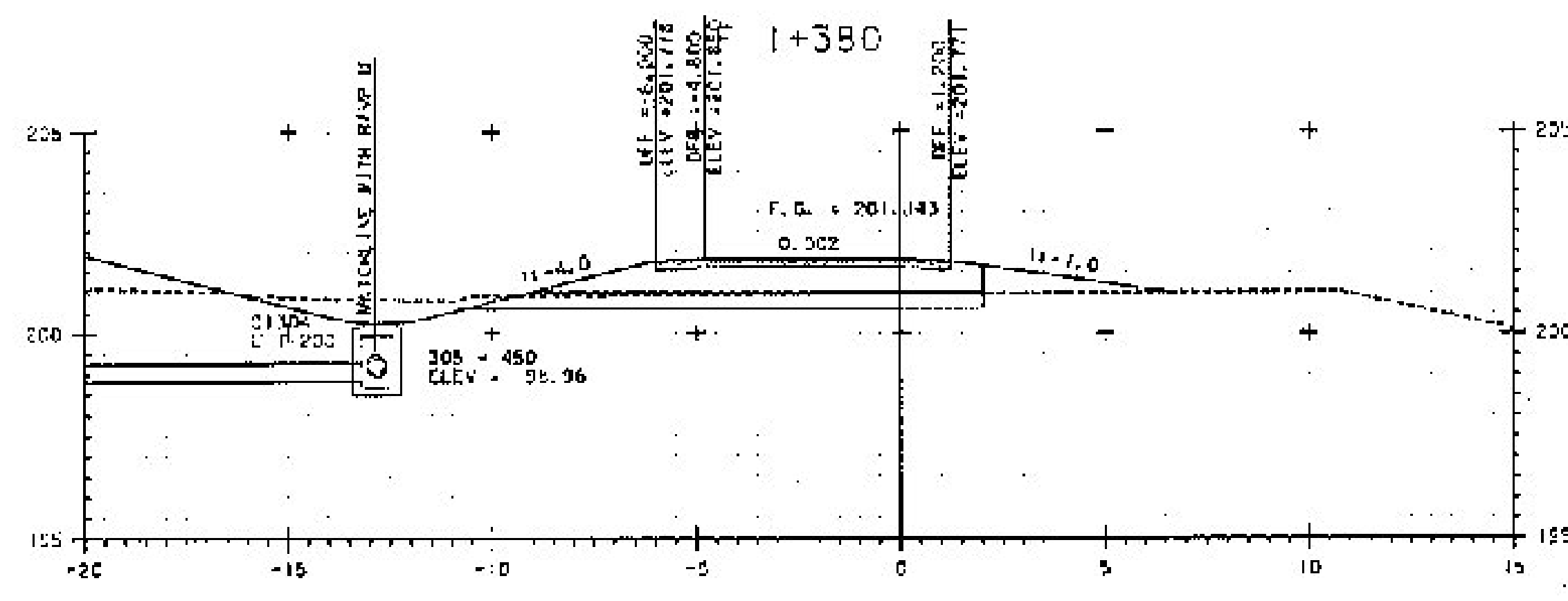
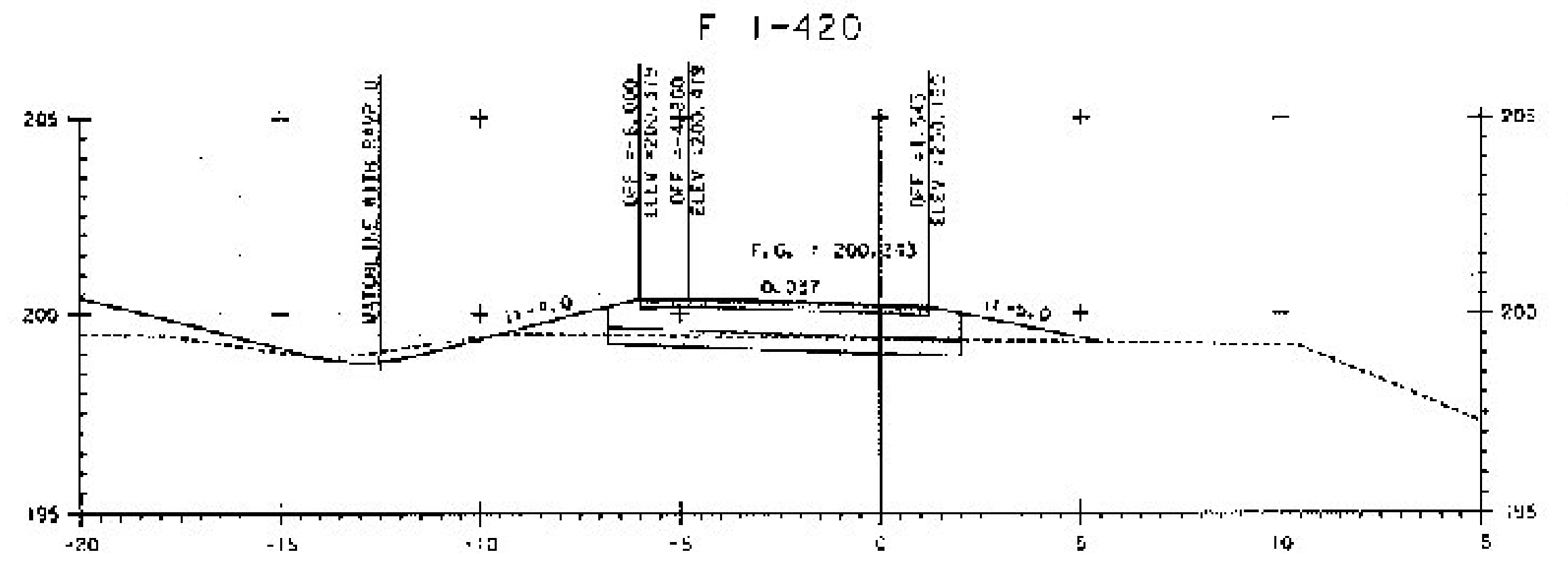
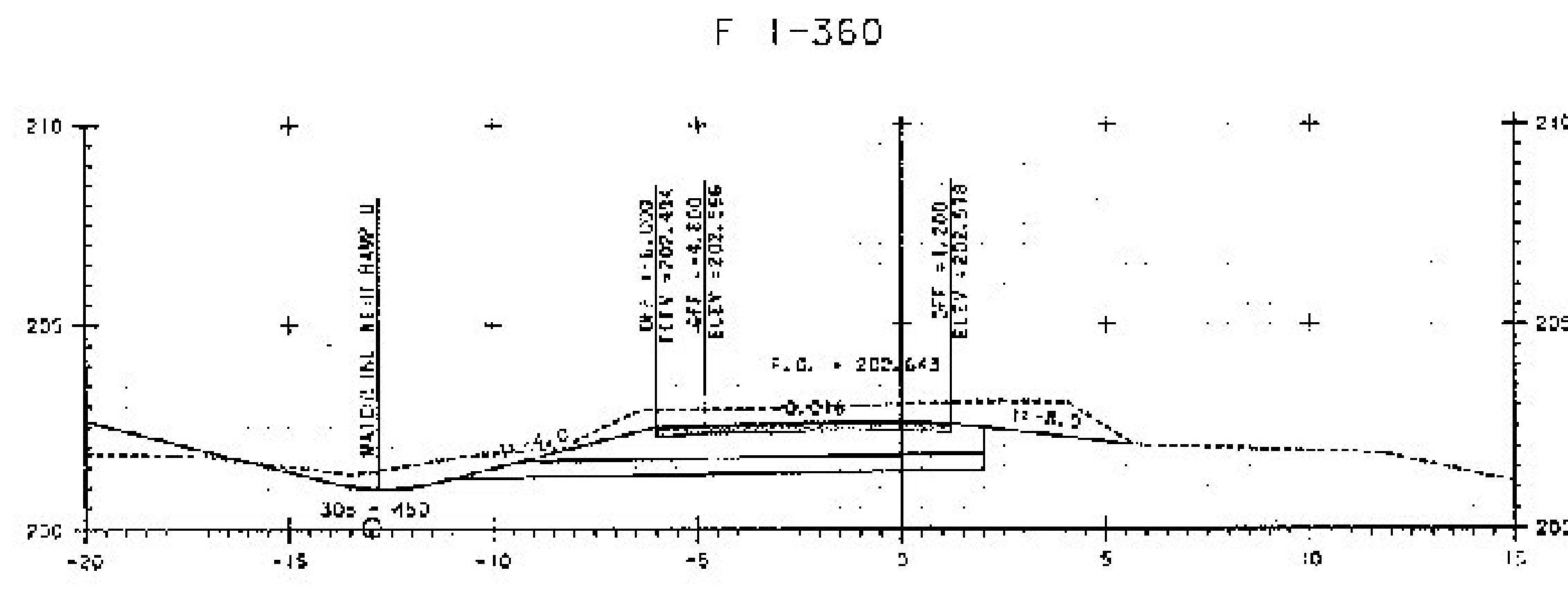


F 1+440
F 1+407.465 = T 1+000.000

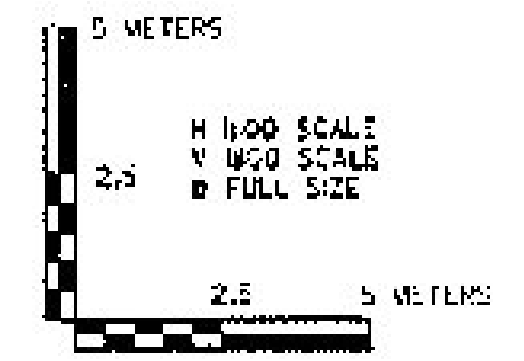


F 1-360

F 1-420



F 1-400



PROJECT NAME:	BENNINGTON
PROJECT NUMBER:	NF-019-1154
FILE NAME:	\\n101-1-1154\2010\1154\1154.dwg
DESIGN SUPERVISOR:	CREG EDWARDS
DESIGNED BY:	MARC POSEY
DRAWN BY:	STANTEC
CHECKED BY:	GARY SANITY
RAMP F CROSS SECTION:	SHEET 1 OF 1
	PLOT DATE: 01/26/2011

REVISED