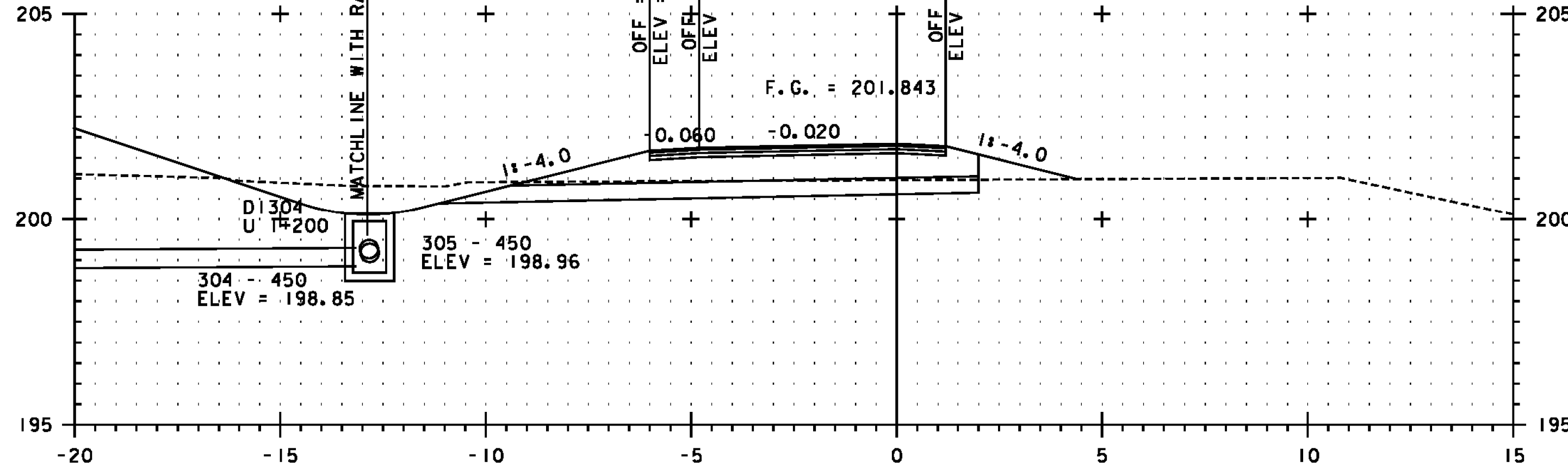
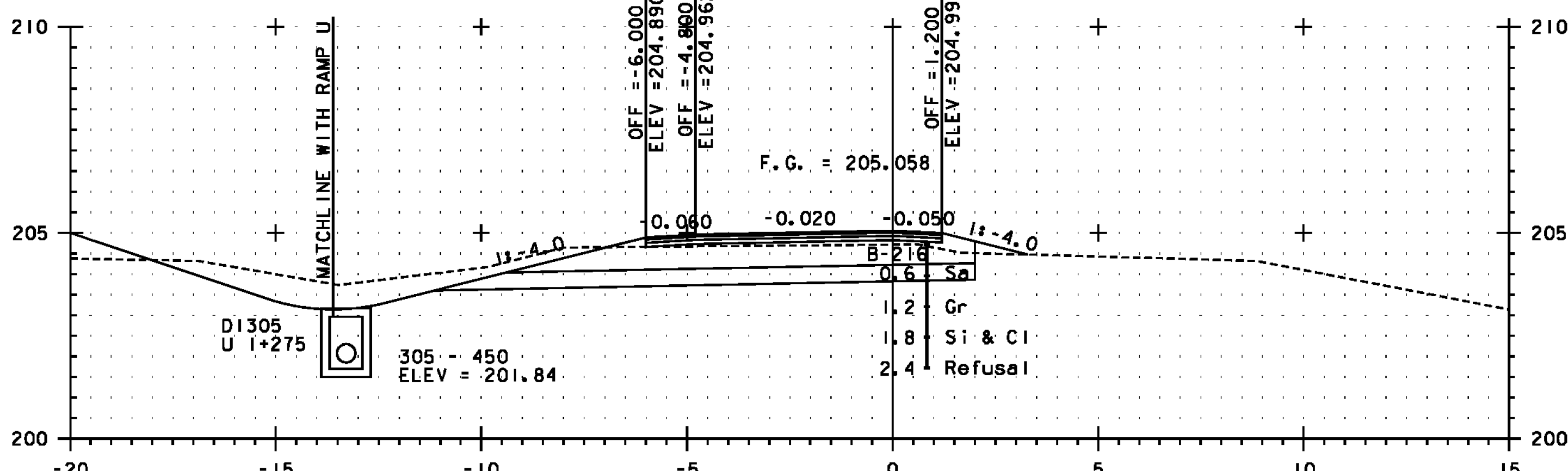


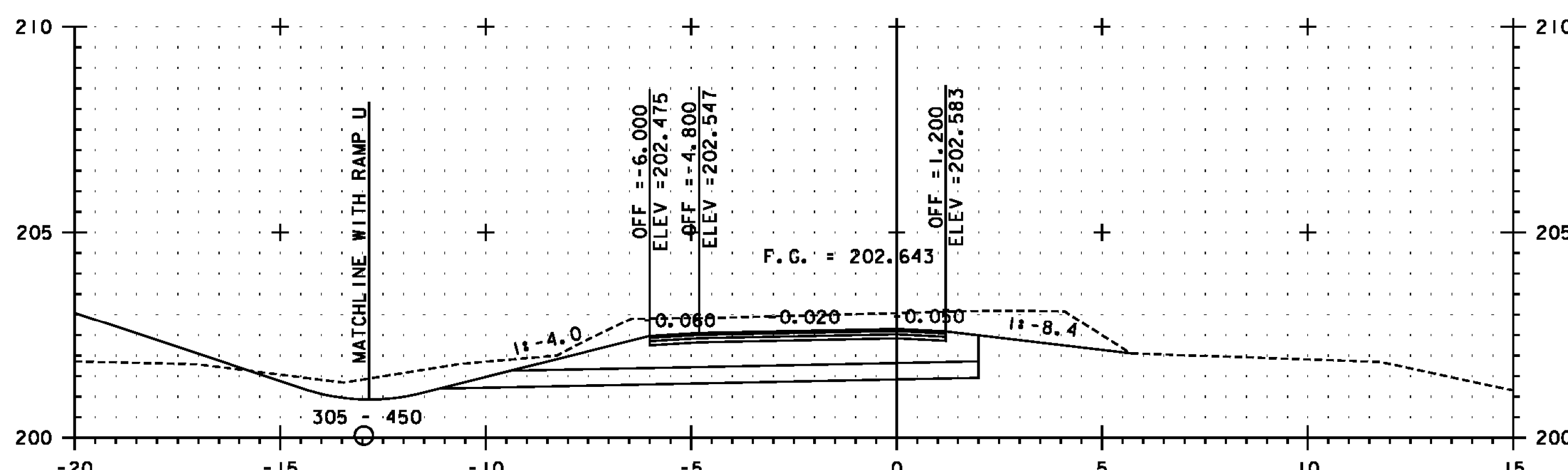
F I+300



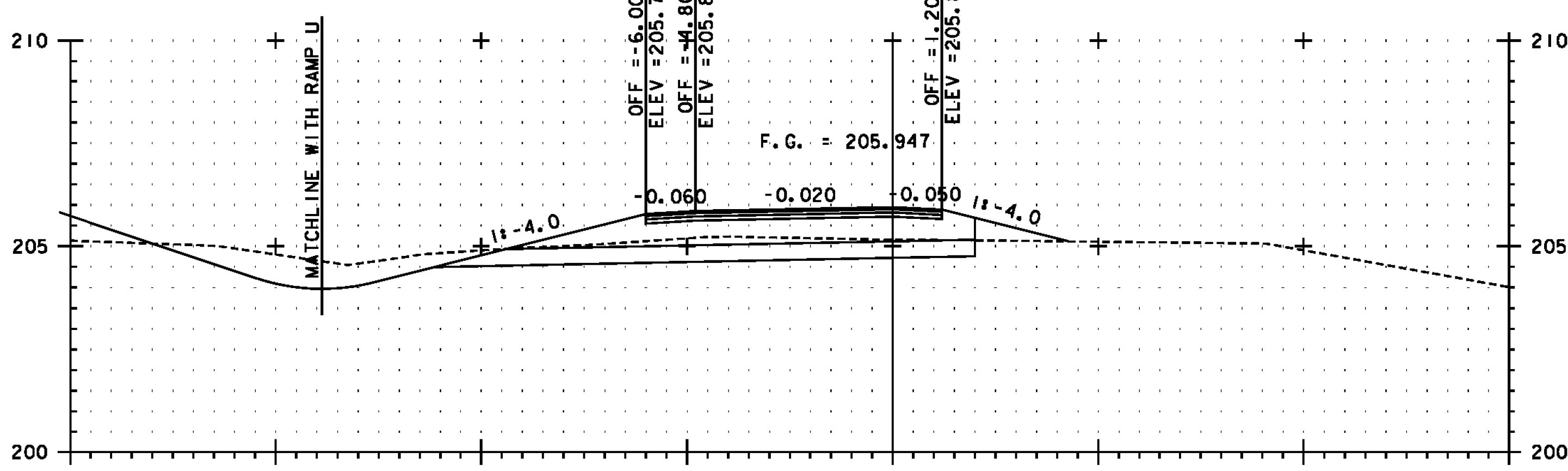
F I+360



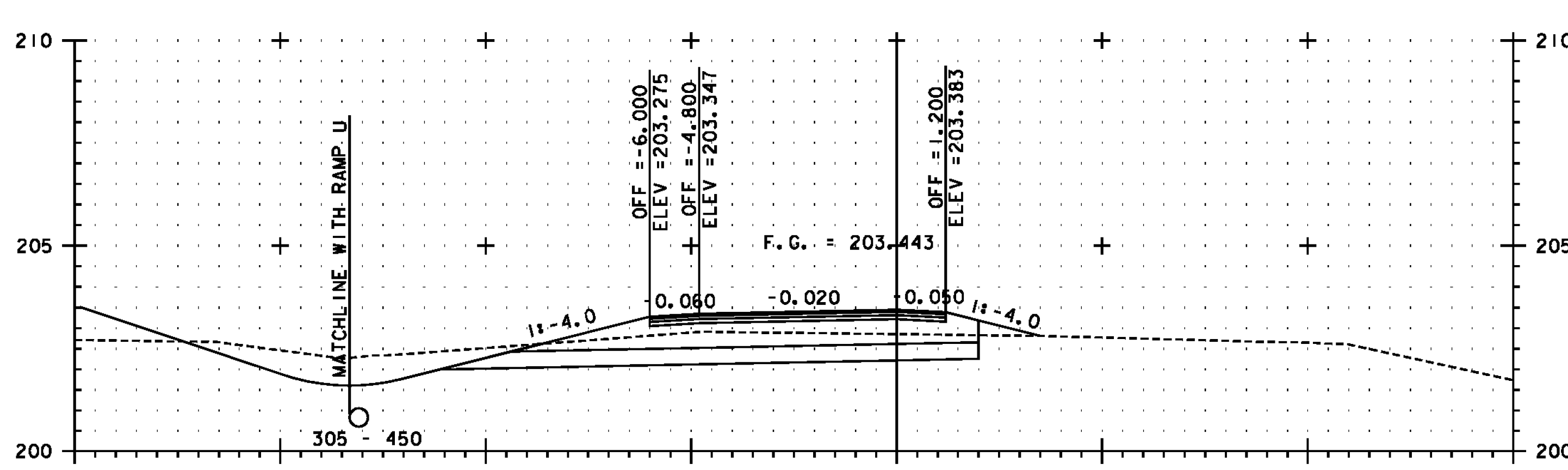
F I+280



F I+340



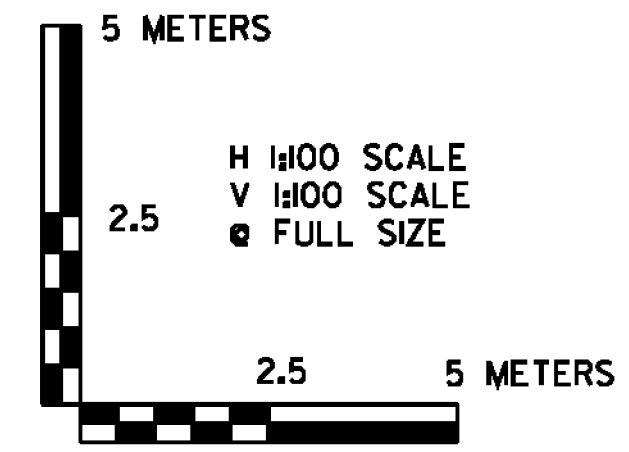
F I+260



F I+320

SEE NOTE ON SHEET 355

SEE REVISED SHEET



	PROJECT NAME: BENNINGTON
	PROJECT NUMBER: NH 019-(154)
FILE NAME: ...\plot_files\zd307c4xs.rampF.pft	PLOT DATE: 1/26/2010
DESIGN SUPERVISOR: GREG EDWARDS	DRAWN BY: STANTEC
DESIGNED BY: MARC FOISY	CHECKED BY: GARY SANTY
<b>RAMP F CROSS SECTION FXS-04</b>	SHEET 358 OF 468

1/26/2010 4:56:48 PM v:\1953\getlive\19530002A\trampsporf\station\dr\mg\com\tr\cp1\_4\plot\_files\zd307c4xs.rampF.pft