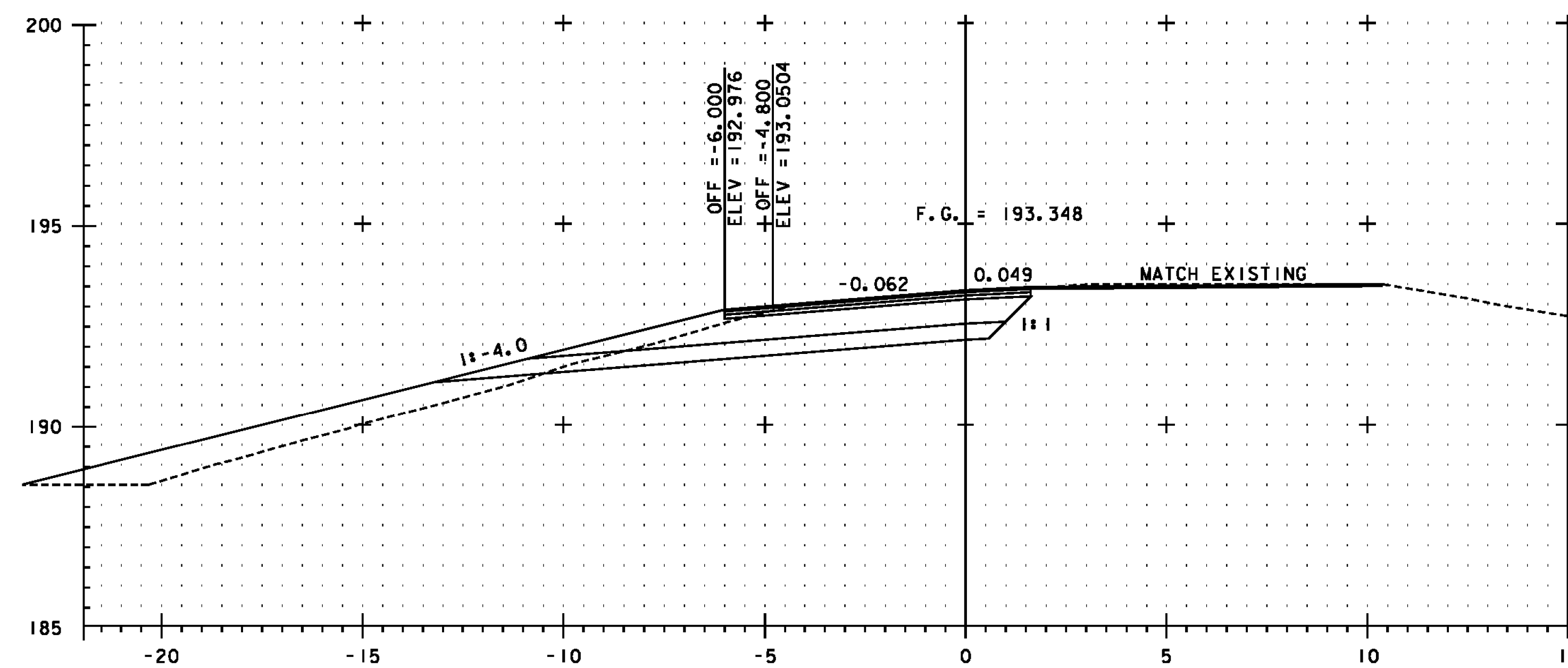
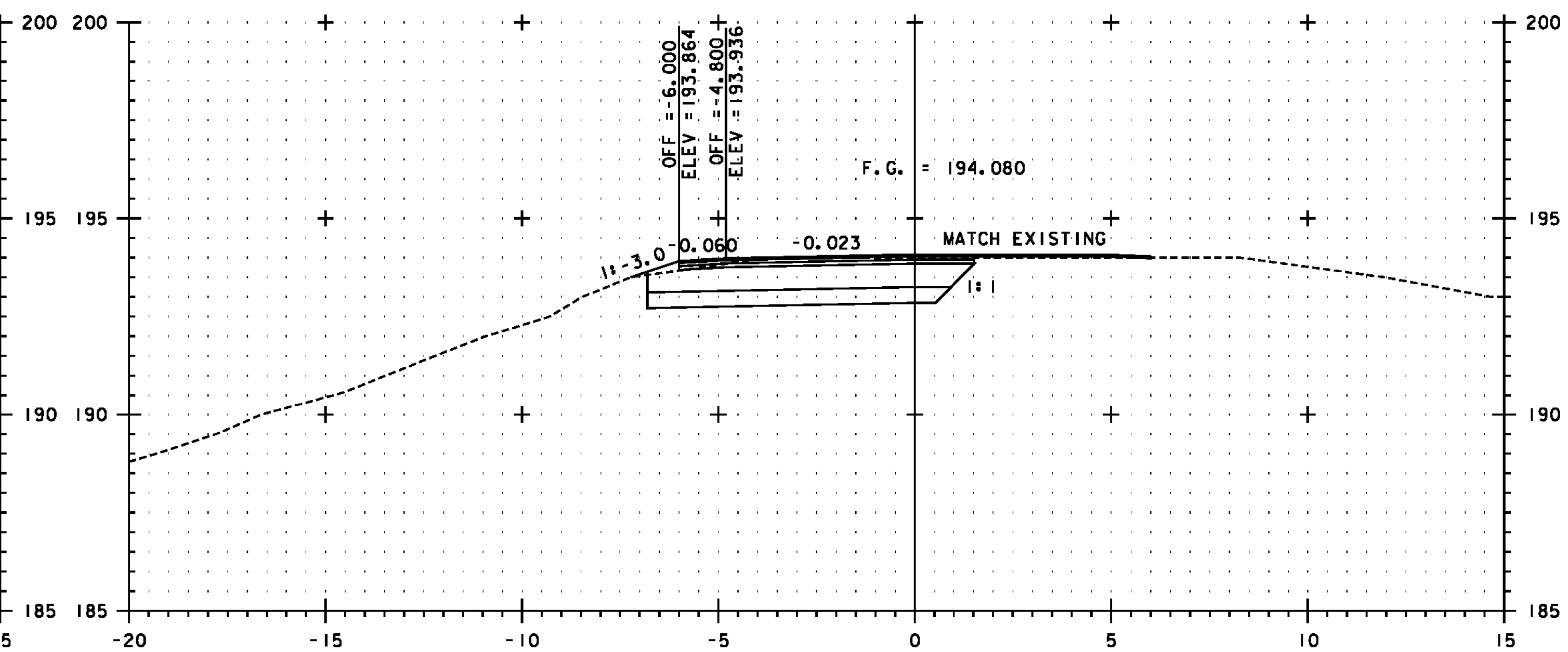


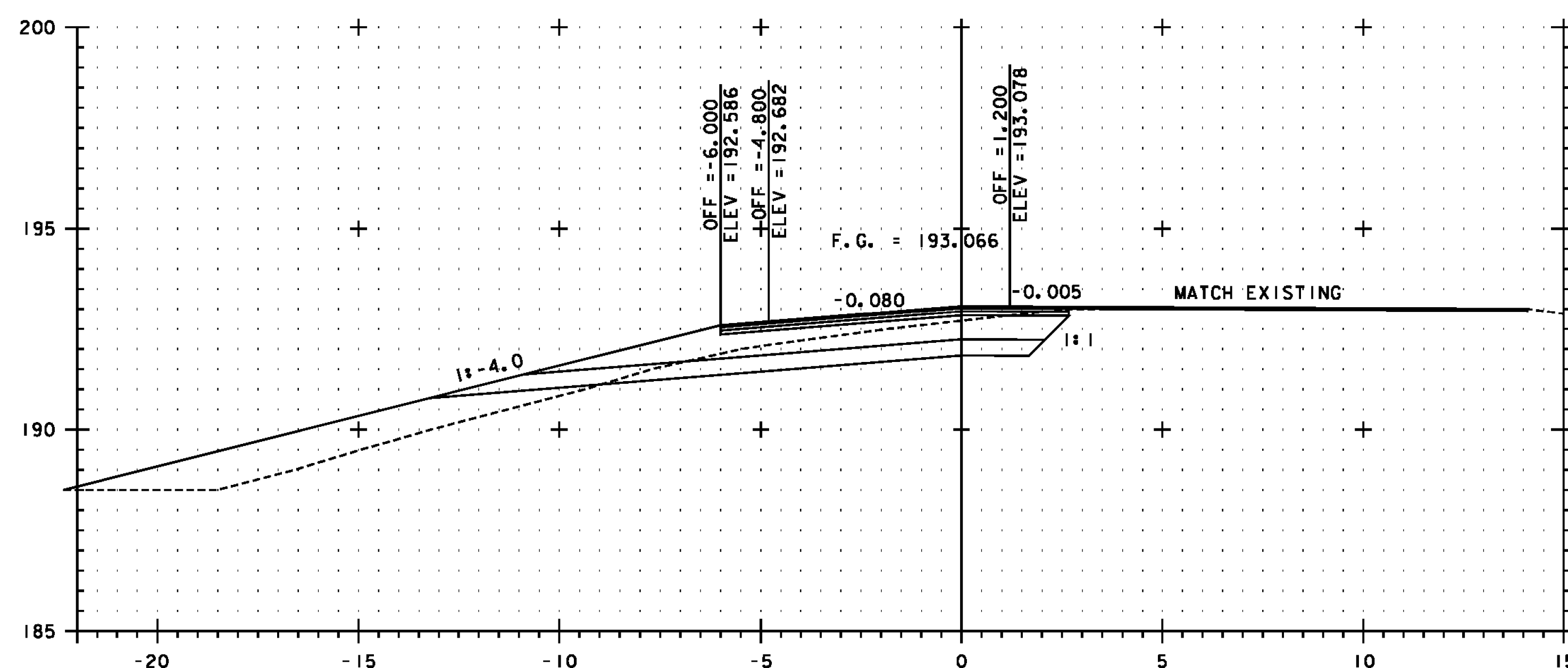
EB 10+962.920 = G 1+000.000



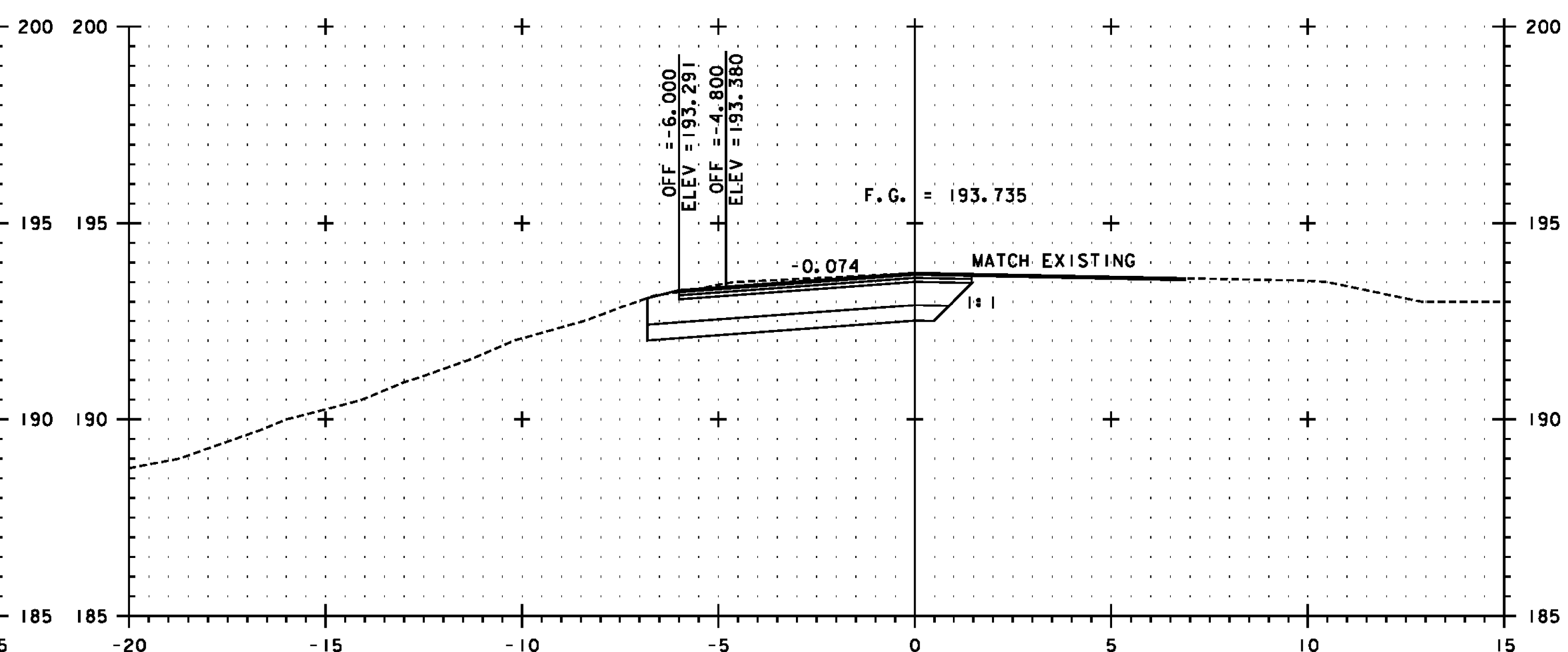
EB 10+920



EB 10+960

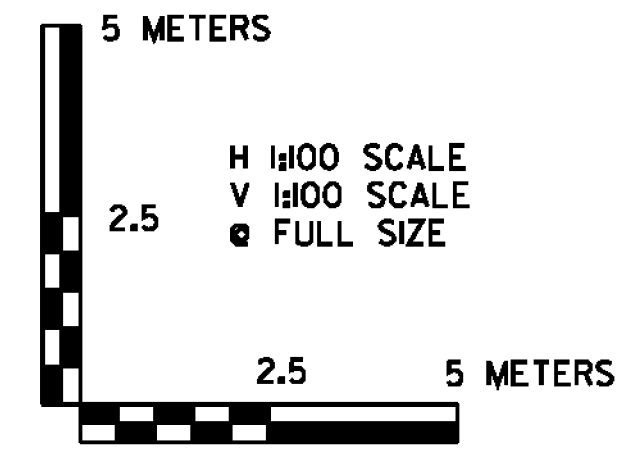


EB 10+900



EB 10+940

SEE NOTE ON SHEET 339



PROJECT NAME:	BENNINGTON
PROJECT NUMBER:	NH 019-(154)
FILE NAME:	...plot_files\zd307c4xs.279EB.ptf
DESIGN SUPERVISOR:	GREG EDWARDS
DESIGNED BY:	MARC FOISY
VT 279 EB CROSS SECTION	EBX-15
PLOT DATE:	1/26/2010
DRAWN BY:	STANTEC
CHECKED BY:	GARY SANTY
SHEET	353 OF 468

1/26/2010 4:56:41 PM v:\1953\getlive\19530002\tr\anspor\101\dr\cm\ng\com\tr\cst_4\plot_files\zd307c4xs.279EB.ptf