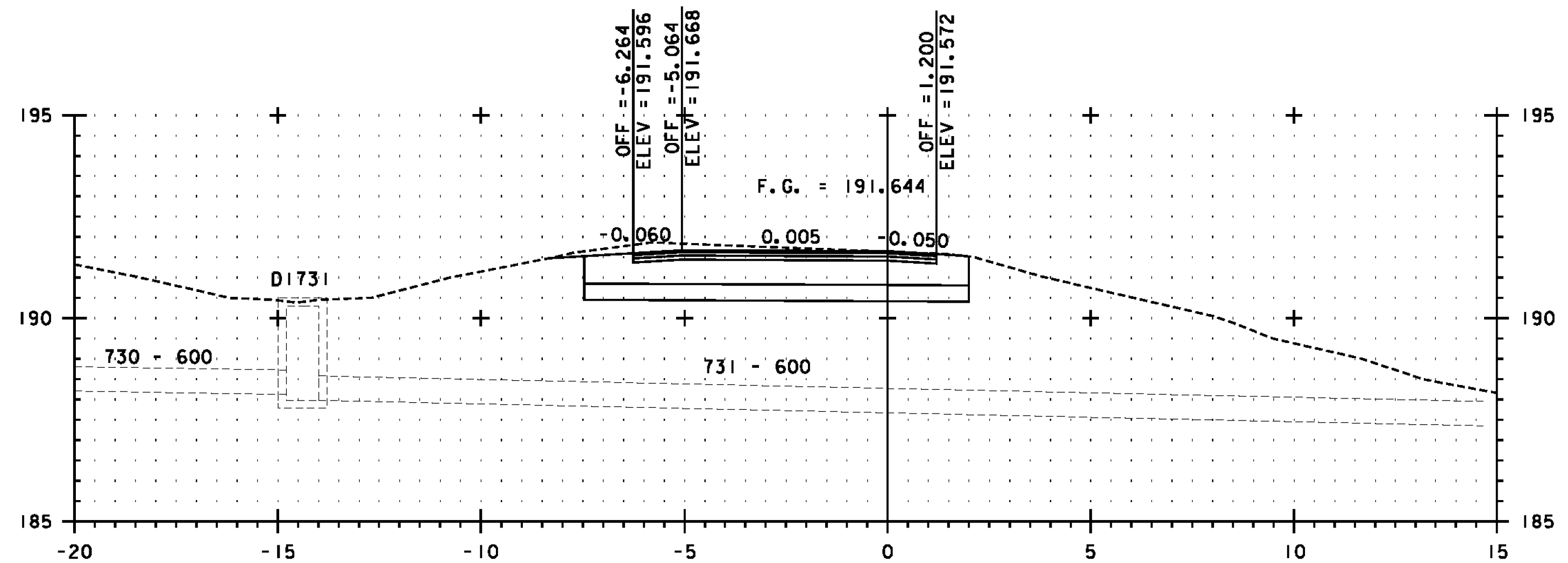
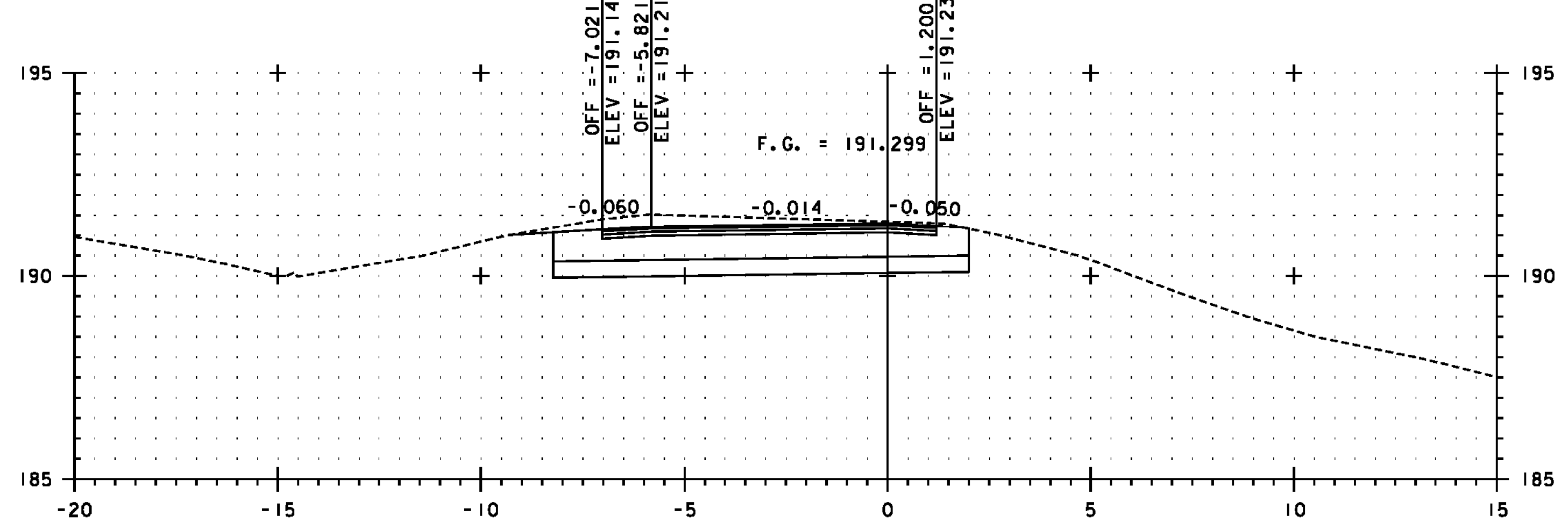


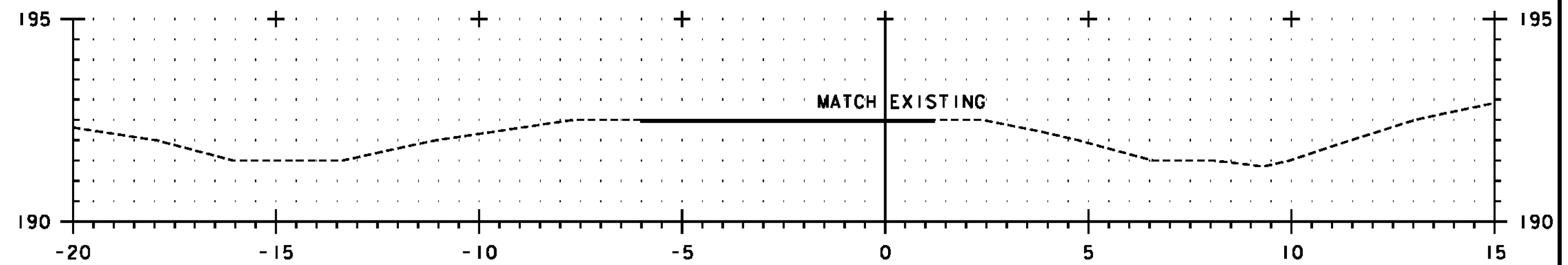
WB 10+940



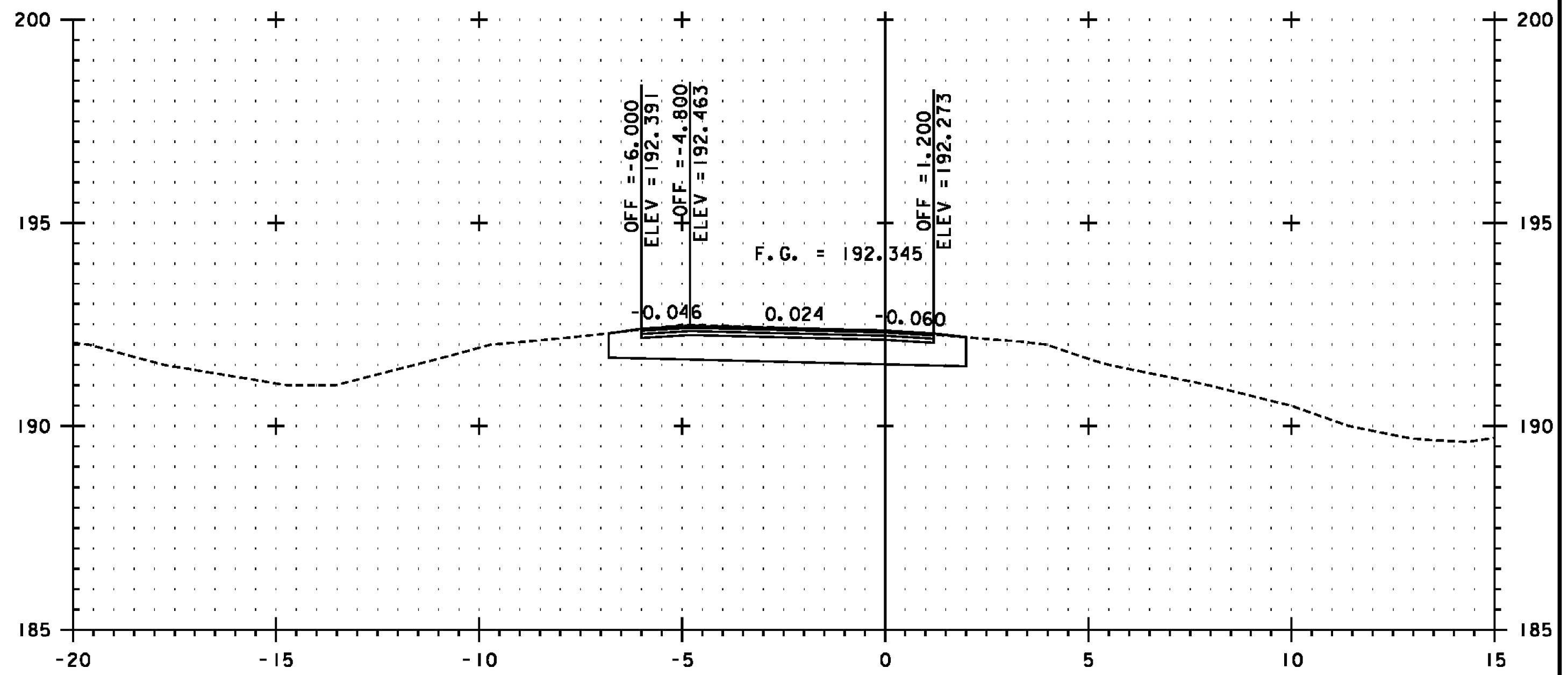
WB 10+920



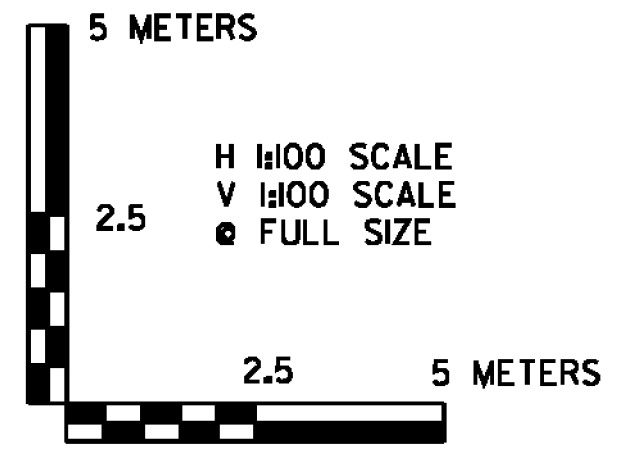
WB 10+900



WB 10+982.376
END APPROACH



WB 10+960



SEE NOTE ON SHEET 312

SEE REVISED



PROJECT NAME:	BENNINGTON
PROJECT NUMBER:	NH 019-(154)
FILE NAME:	...plot_files\zd307c4xs.279WB.ptf
DESIGN SUPERVISOR:	GREG EDWARDS
DESIGNED BY:	MARC FOISY
VT 279 WB CROSS SECTION WBX-27	
PLOT DATE:	1/26/2010
DRAWN BY:	STANTEC
CHECKED BY:	GARY SANTY
SHEET	338 OF 468