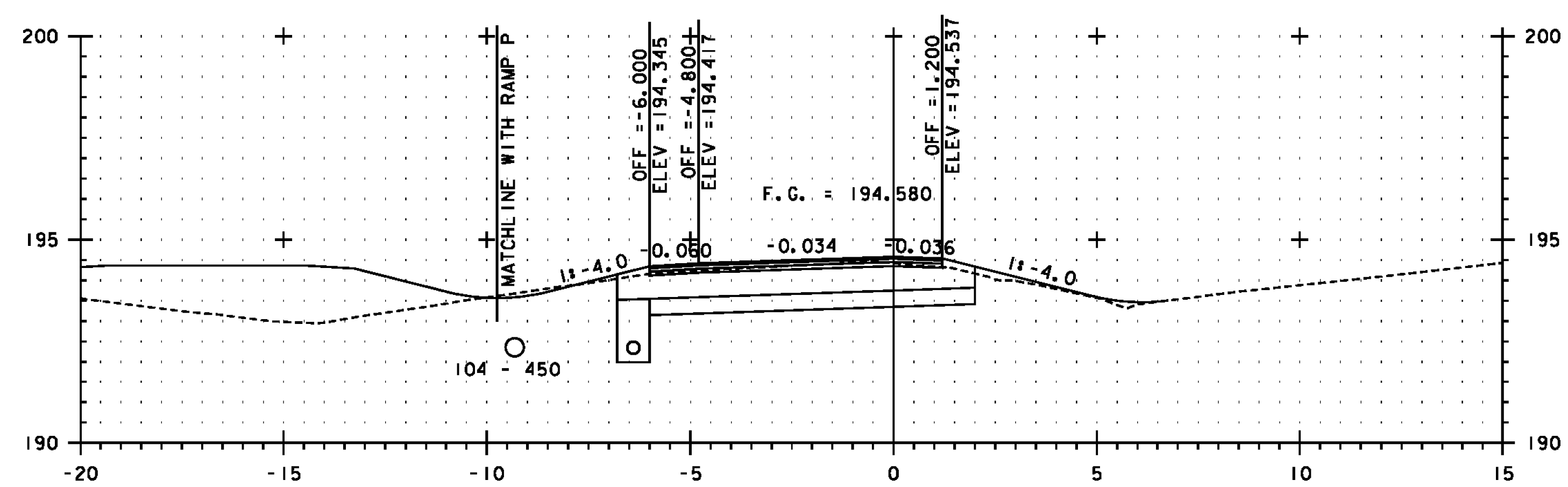
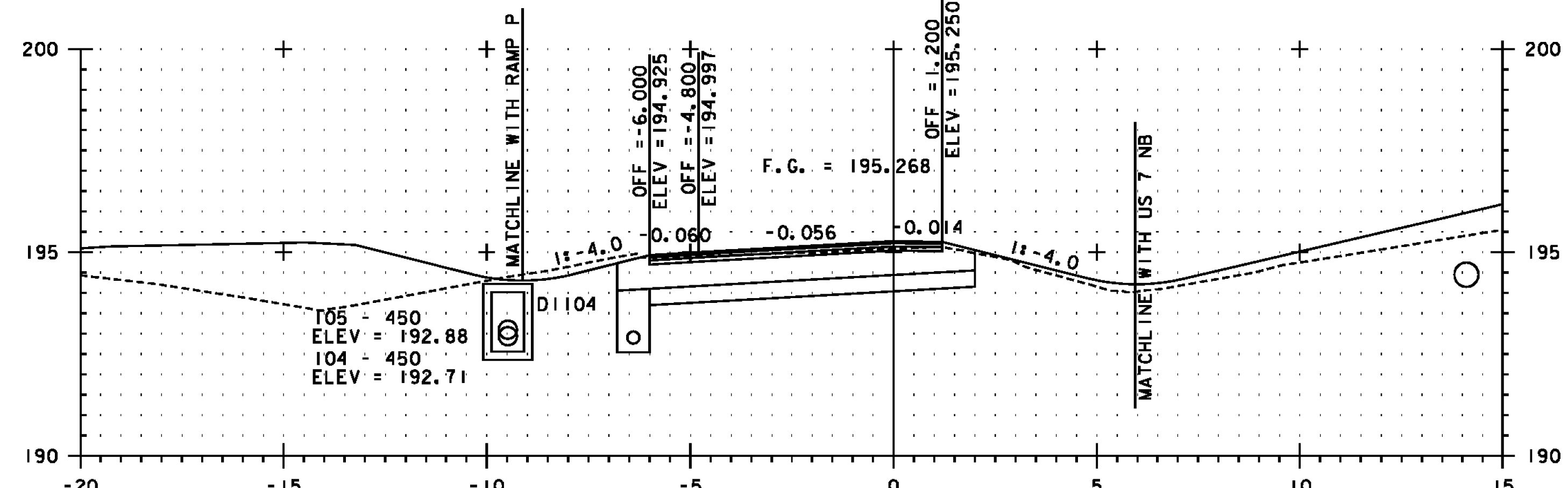


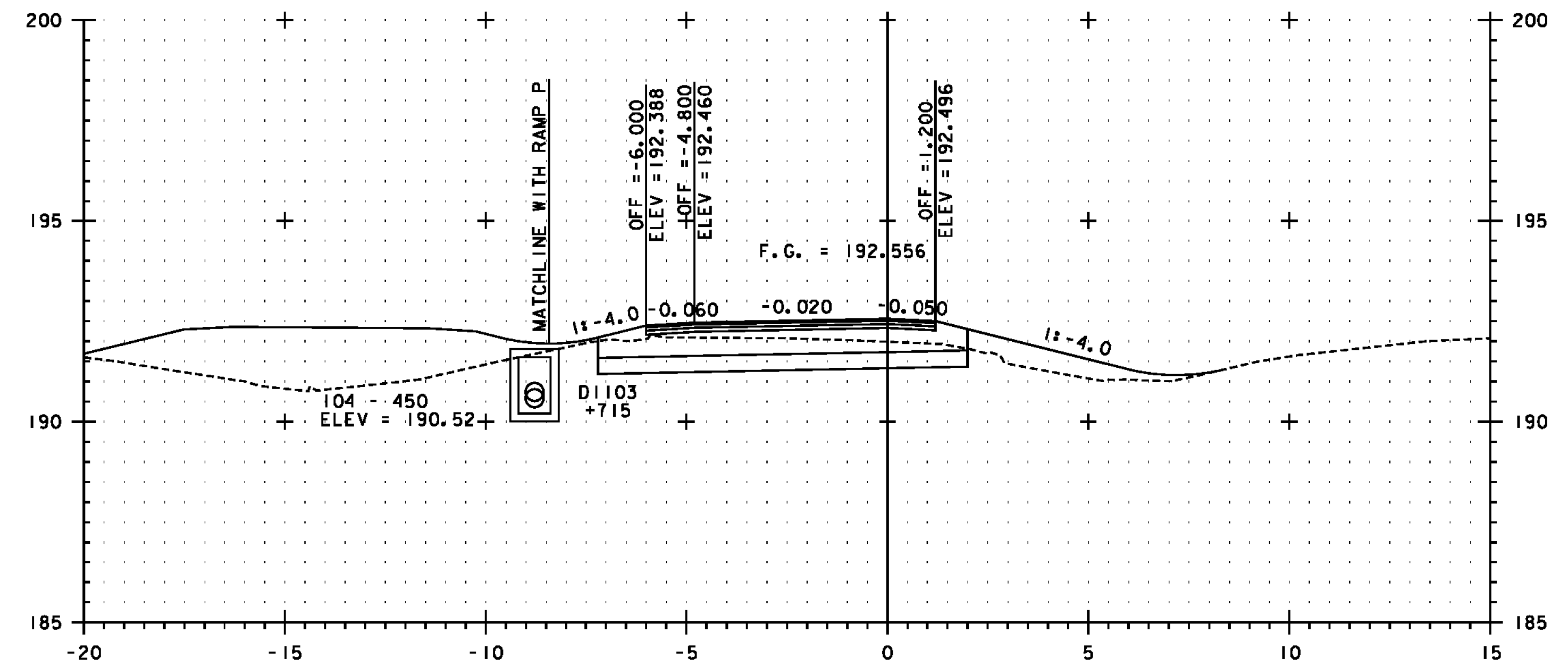
WB 10+680



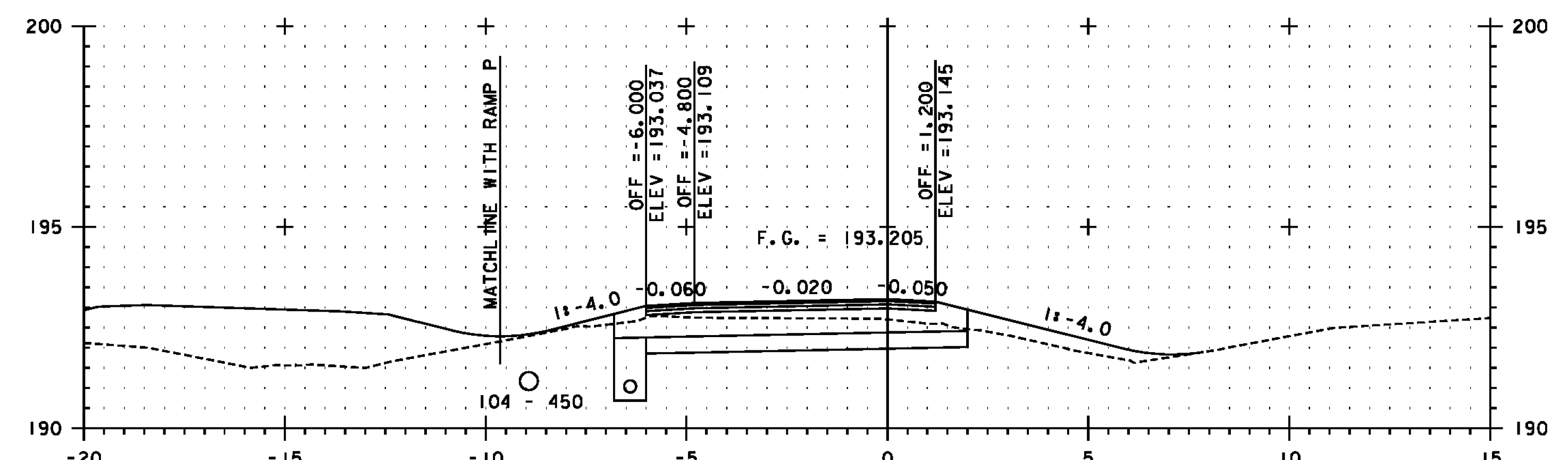
WB 10+660



WB 10+640

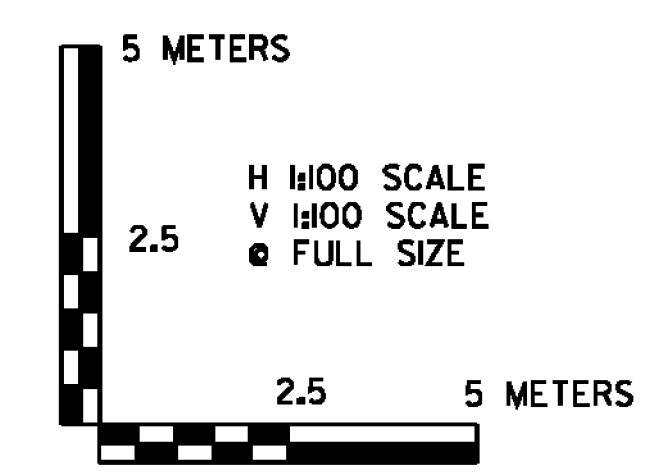


WB 10+720



WB 10+700

SEE NOTE ON SHEET 312



SEE REVISED



PROJECT NAME:	BENNINGTON
PROJECT NUMBER:	NH 019-(154)
FILE NAME:	...\\plot_files\zd307c4xs.279WB.ptf
DESIGN SUPERVISOR:	GREG EDWARDS
DESIGNED BY:	MARC FOISY
VT 279 WB CROSS SECTION WBX-24	
PLOT DATE:	1/26/2010
DRAWN BY:	STANTEC
CHECKED BY:	GARY SANTY
SHEET	335 OF 468

1/26/2010 4:56:18 PM v:\1953\getlive\19530002\tr\anspor\101\dr\cm\ng\com\tr\cst\4\plot_files\zd307c4xs.279WB.ptf