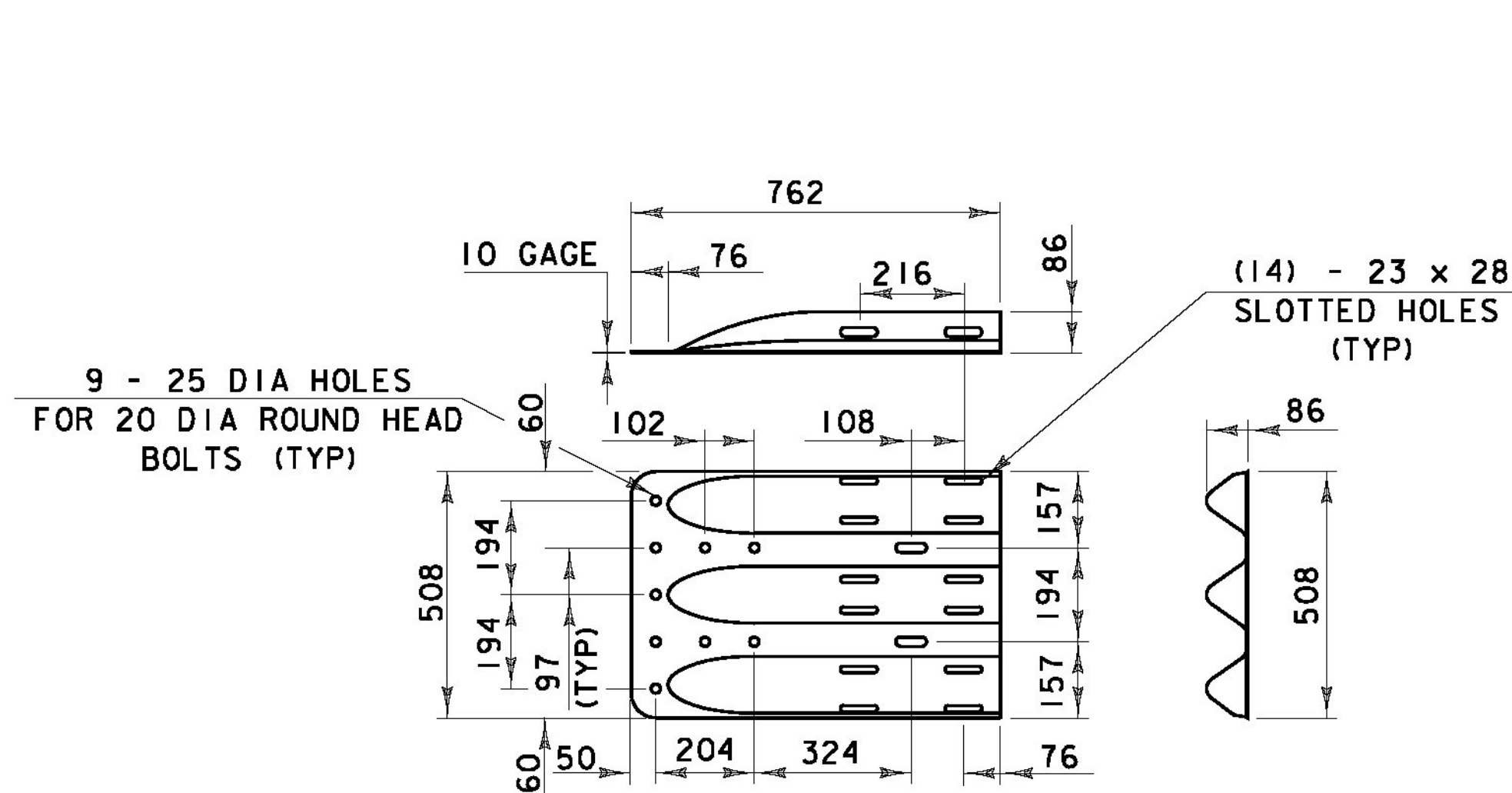


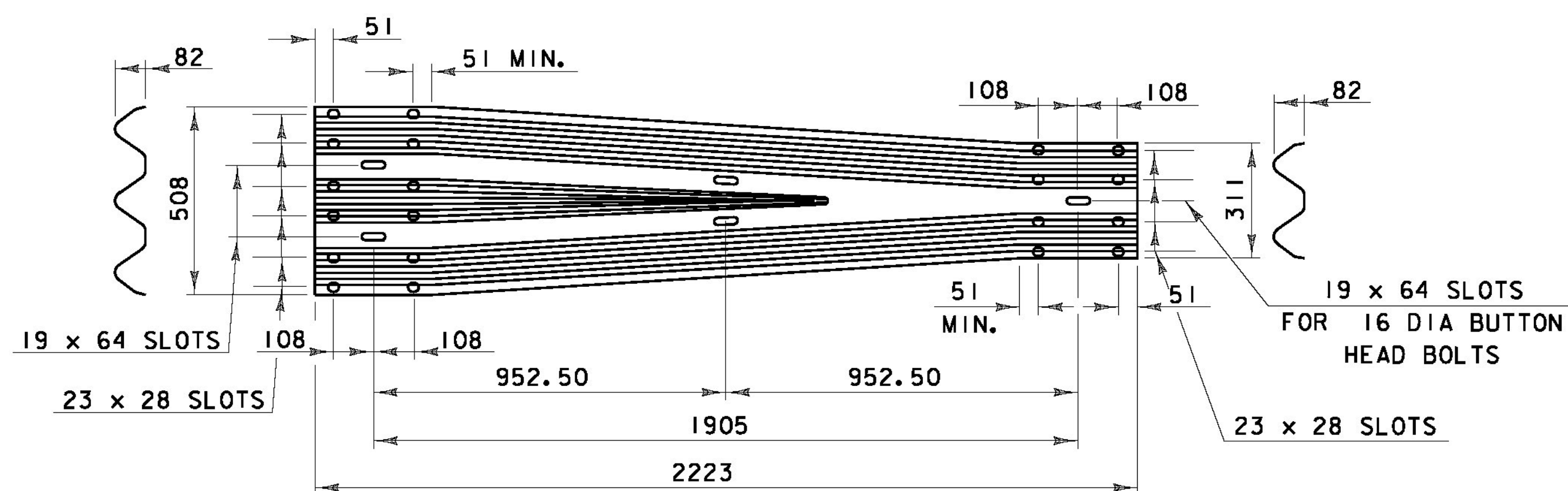
WOOD POST AND THRIE-BEAM RAIL ASSEMBLY



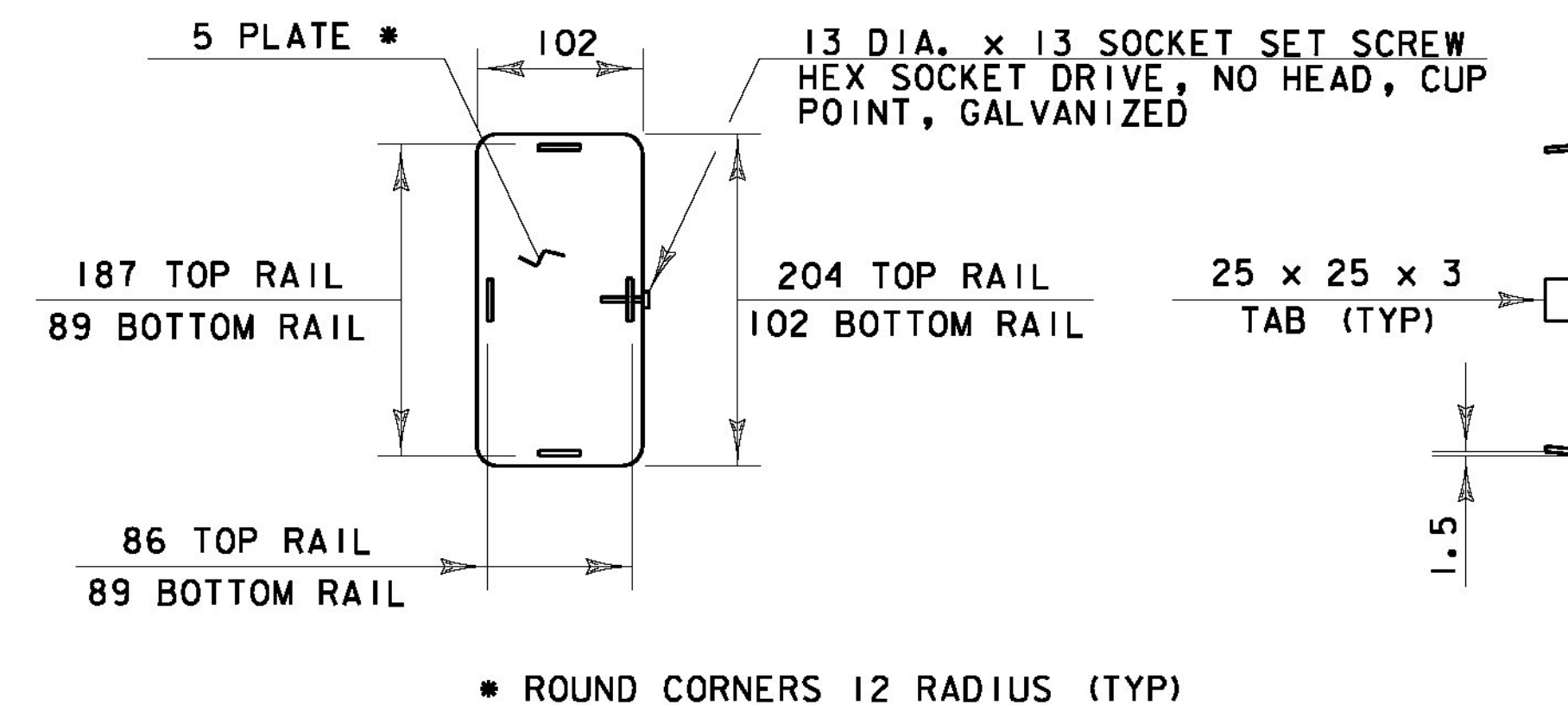
THRIE-BEAM TERMINAL CONNECTOR (HM-TF-13/RE-67)

NOTES

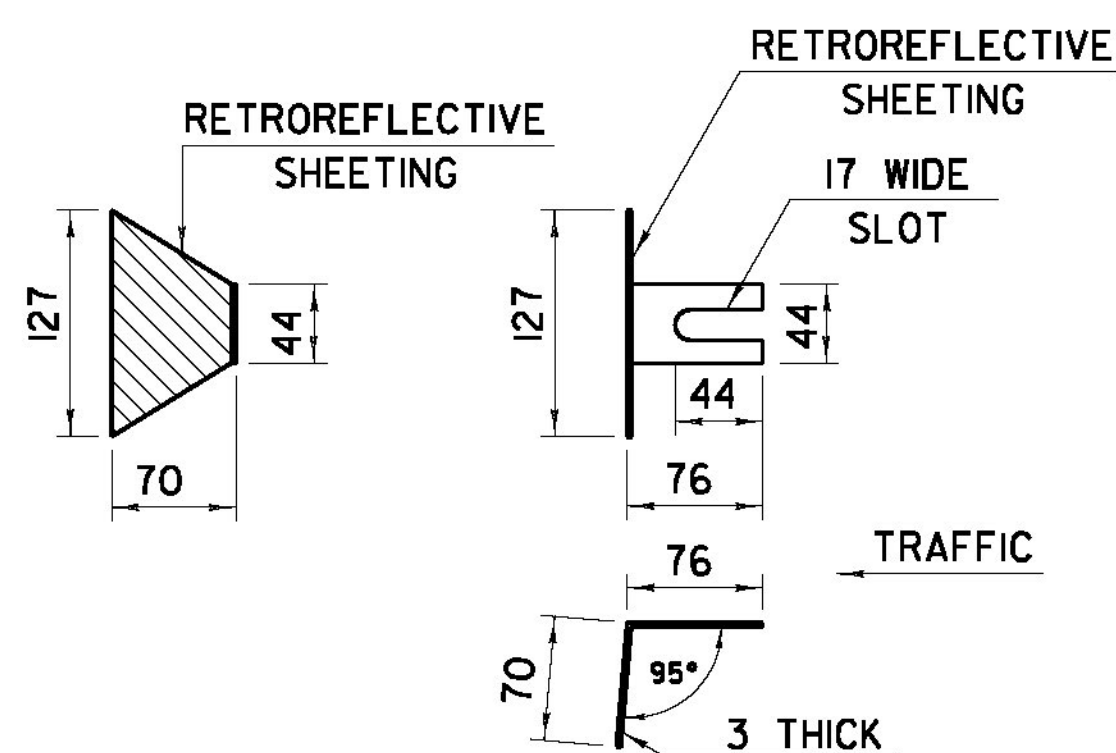
1. THE RETROREFLECTORIZED ALUMINUM DELINEATION IS TO BE INSTALLED EVERY 9144 (OR CLOSEST POST) WITH A 16 DIAMETER BOLT. DELINEATORS SHALL MEET SEPCIFICATION REQUIREMENTS FOR ASTM B209M ALLOY 5052-H32.
2. ON BRIDGES WITH A SIDEWALK, DELINEATORS ARE NOT TO BE INSTALLED ON THE SIDEWALK SIDE OF THE BRIDGE.



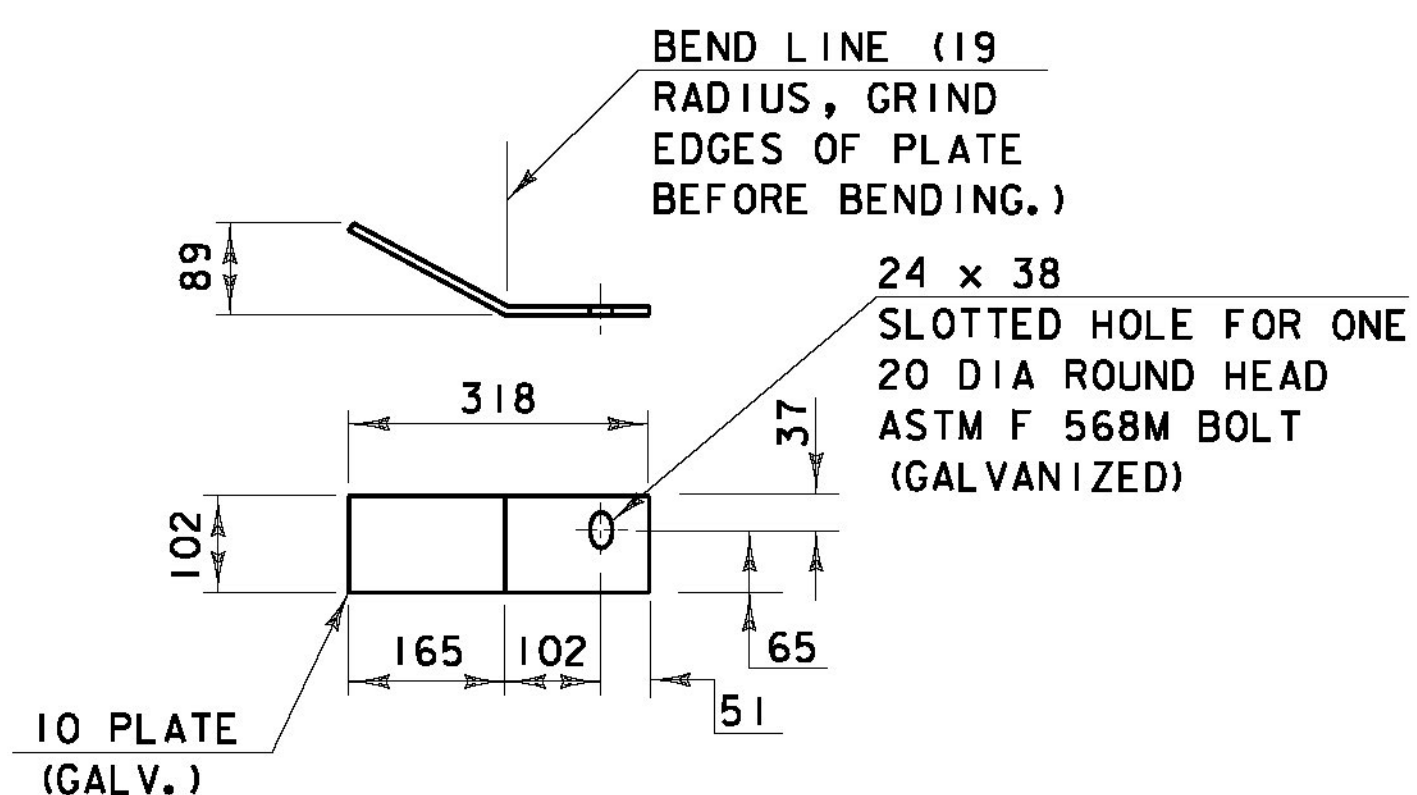
THRIE-BEAM TO STANDARD STEEL BEAM TRANSITION SECTION (HM-TF-13/RE-69)



END CAP DETAIL



DELINEATION DEVICE DETAILS



DEFLECTOR PLATE DETAIL

OTHER STANDARDS REQUIRED: C-10

STATE OF VERMONT AGENCY OF TRANSPORTATION

Town Of	BENNINGTON	Bridge No.	145
Highway No.		Log Sta.	
		Surv. Sta.	
US ROUTE 7 SB OVER VT ROUTE 279 WB			
DETAILS - NETC 2 RAIL			
Designed By	VTrans	Drawn By	
Checked By	M. CHENETTE	Date	11/09
		Bridge Design Supervisor	G. BOGUE
		Date	11/09
PROJECT	BENNINGTON	PROJECT NO.	NH F019-(154)
L.G.C. info			
Bridge Sheet No. BR915		Sheet 309 of 468	