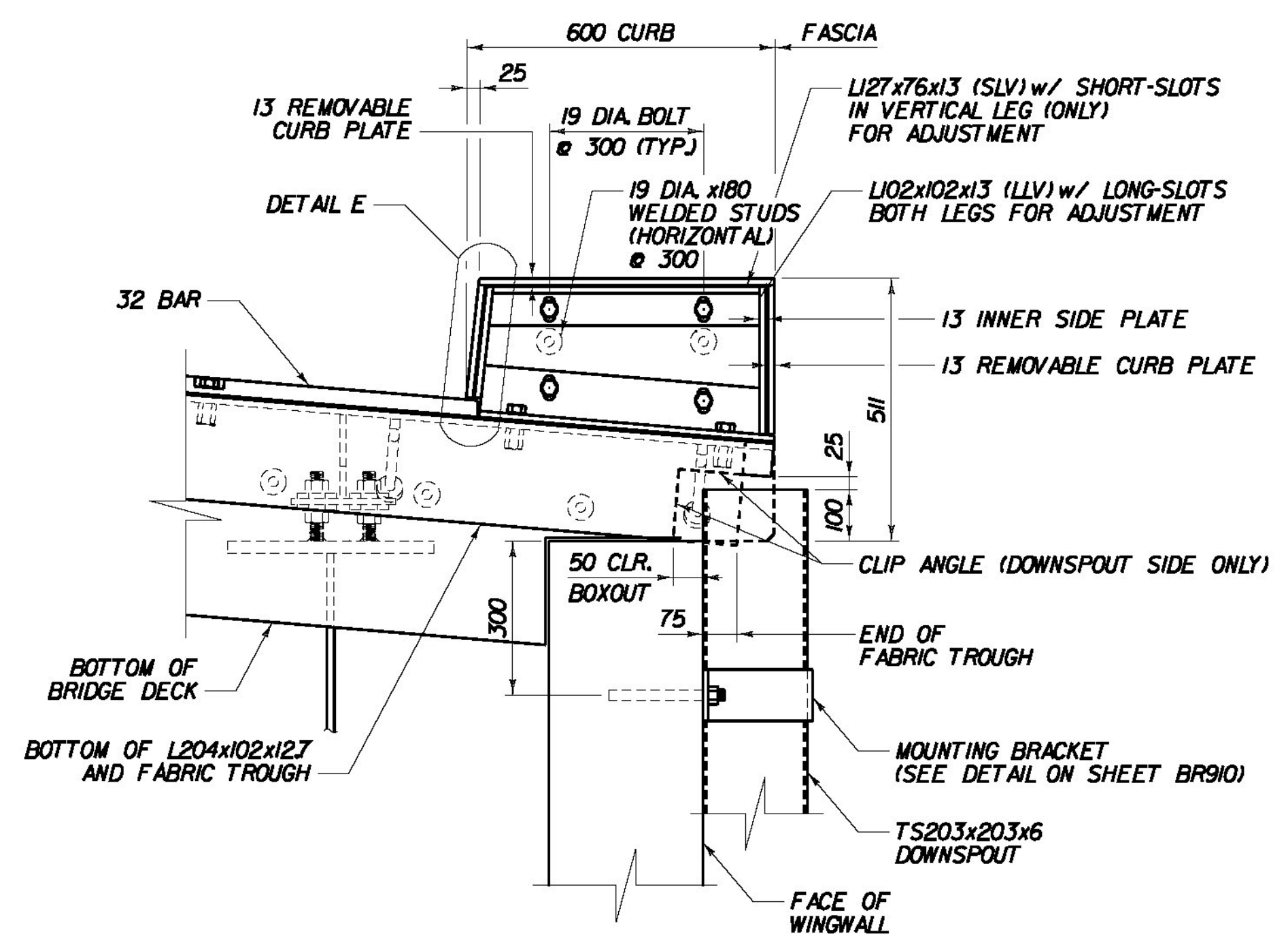
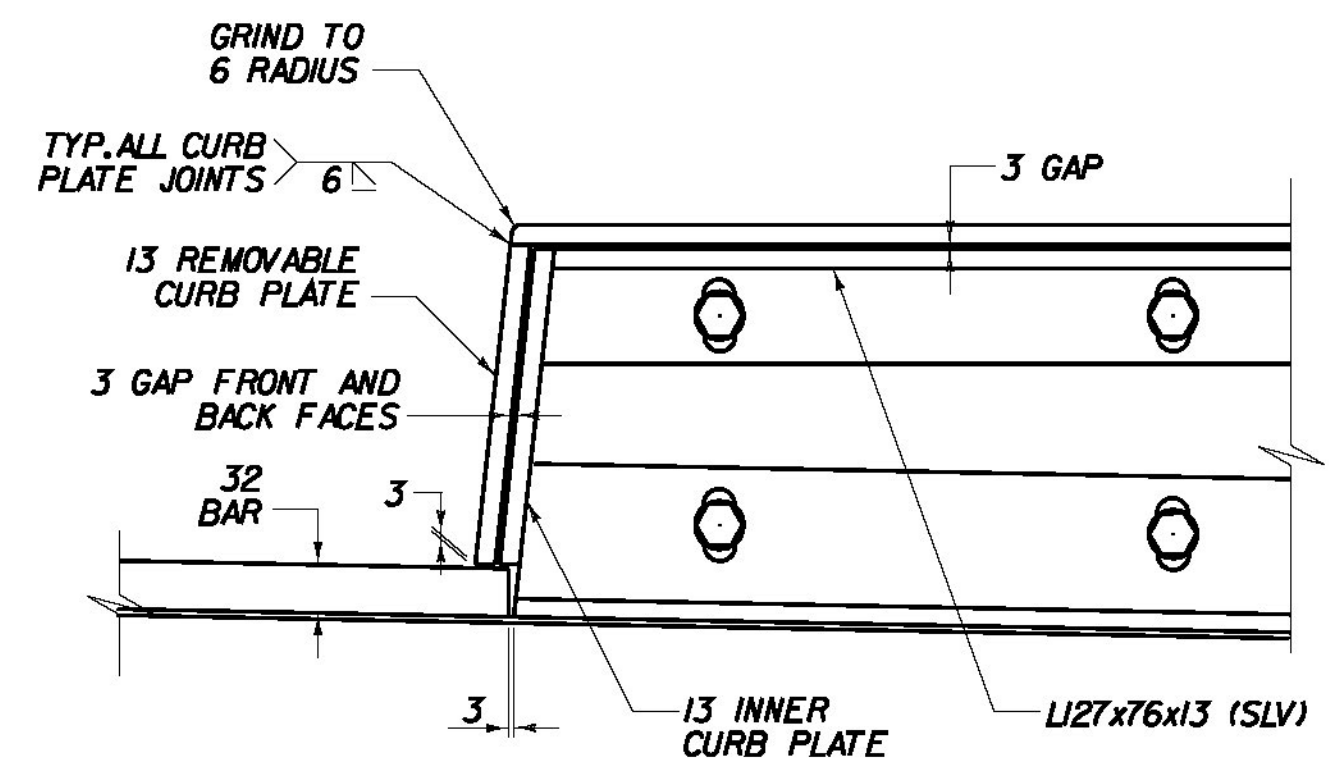


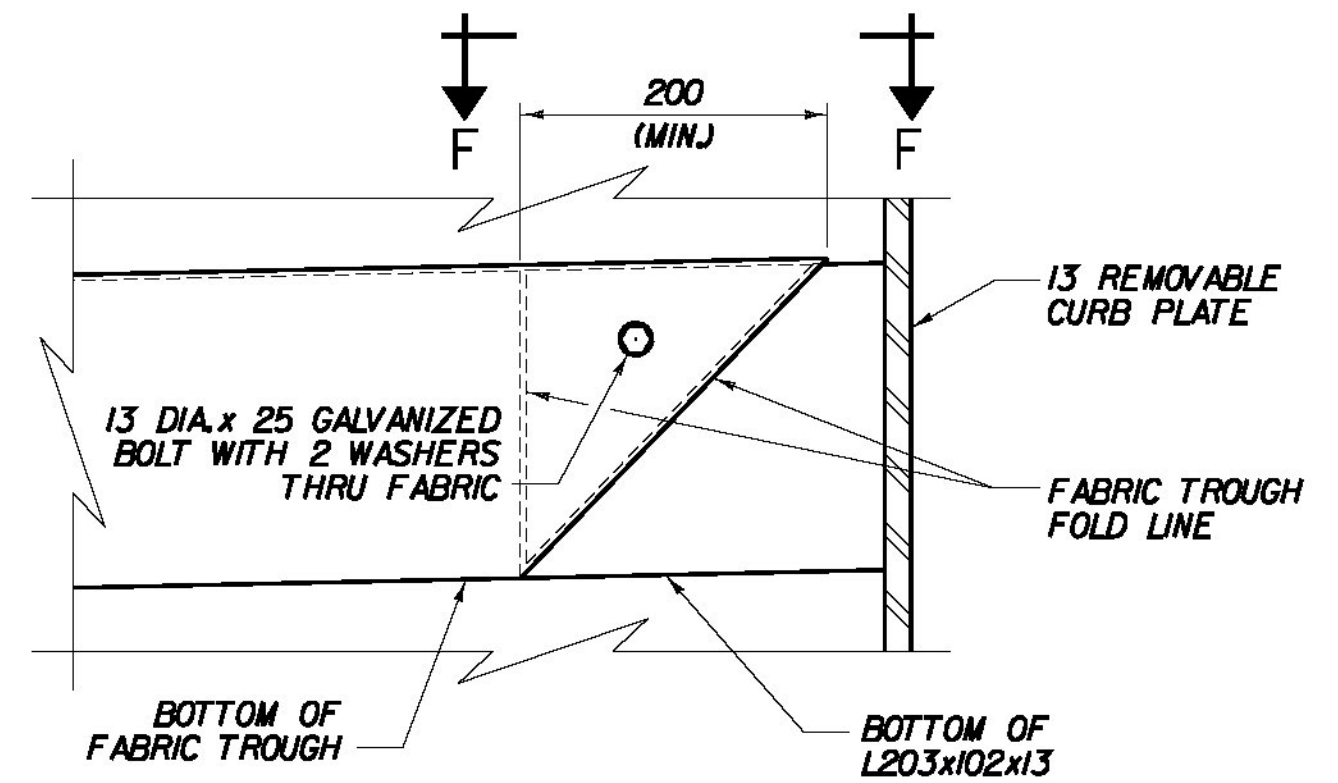
SECTION C-C
SCALE 1/5



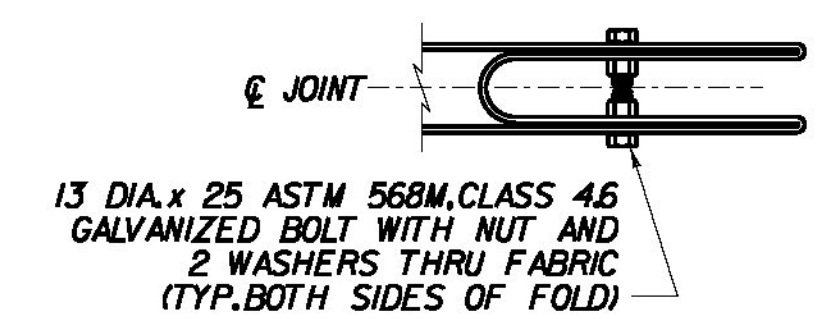
SECTION D-D
SCALE 1/40



DETAIL E
SCALE 1/5



ELEVATION FOLDED TROUGH END DETAILS
NOT TO SCALE



VIEW F-F
NOT TO SCALE

**STATE OF VERMONT
AGENCY OF TRANSPORTATION**

Town Of	BENNINGTON	Bridge No.	145
Highway No.		Log Sta.	
		Surv. Sta.	
US ROUTE 7 SB OVER VT ROUTE 279 WB			
EXPANSION JOINT DETAIL SHEET 2			
Designed By	M. CHENETTE	Drawn By	A. THIBAUT
Checked By	Date	Bridge Design Supervisor	
M. CHENETTE	06/09	G. BOGUE	Date 11/09
PROJECT	BENNINGTON	PROJECT NO. NH F019-(154)	



1/26/2010 4:55:36 PM v:\953\active\9531002\structural\design\17\plot1 - file\9531002-S175B-Exp.jf Detrs2.plt