

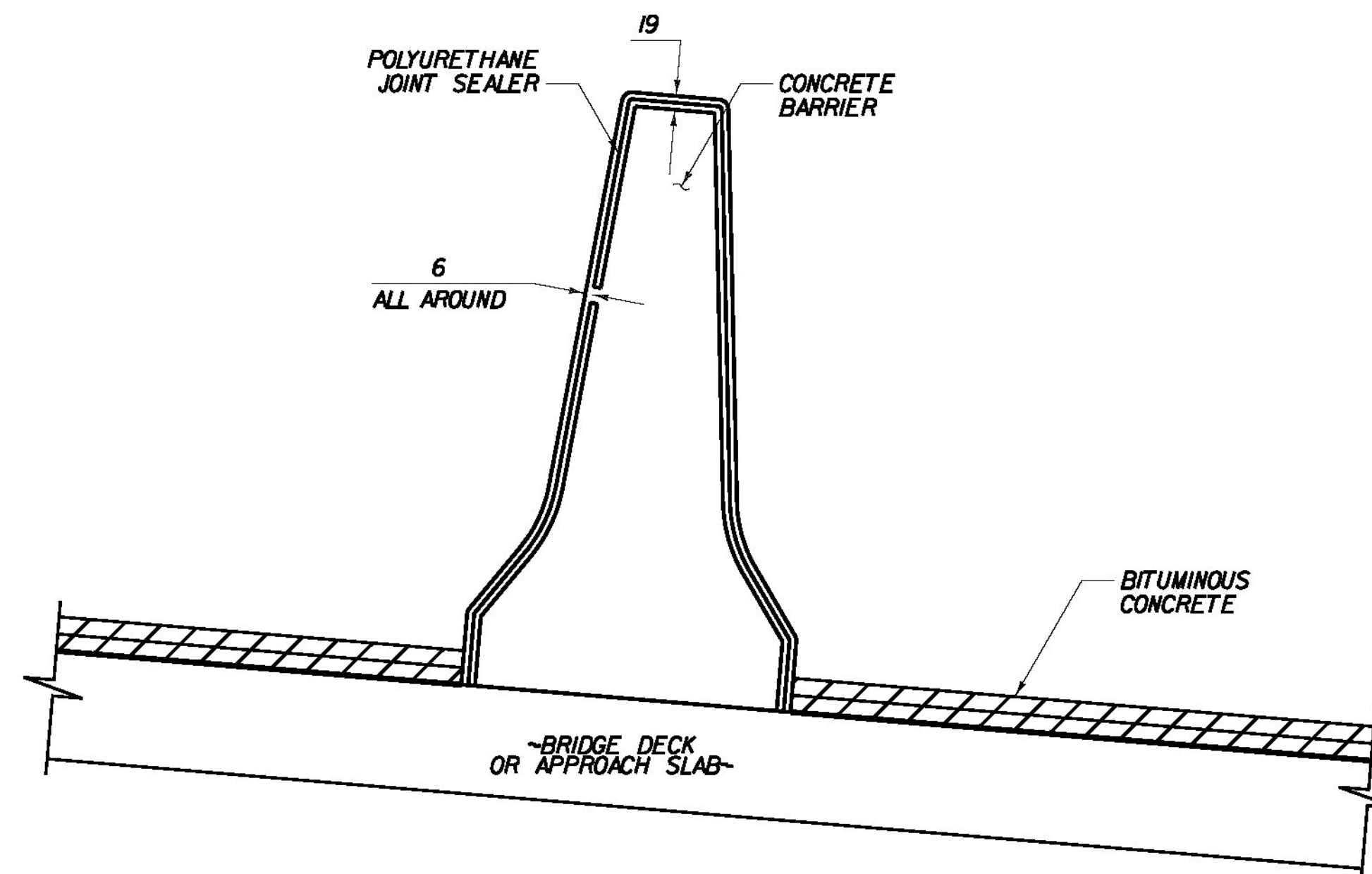
NOTE: DO NOT PLACE SHEET MEMBRANE BELOW CONCRETE BARRIER.

TYPICAL MEDIAN BARRIER SECTION

SCALE 1/10

MEDIAN BARRIER NOTES:

- INDICATES AREA ALONG THE DECK AND UP THE FACE OF THE BARRIER FOR PLACEMENT OF TWO COATS OF POLYURETHANE MEMBRANE.
- POLYURETHANE MEMBRANE AND BLAST CLEANING SHALL BE INCLUDED IN THE UNIT PRICE BID FOR SHEET MEMBRANE WATERPROOFING, TORCH APPLIED.
- SHEET MEMBRANE WATERPROOFING, TORCH APPLIED SHALL EXTEND TO THE FACE OF THE BARRIER AS SHOWN.
- BLAST CLEAN 1m FROM THE FACE OF THE BARRIER AND 64 UP THE FACE OF BARRIER PRIOR TO PLACING MEMBRANE.

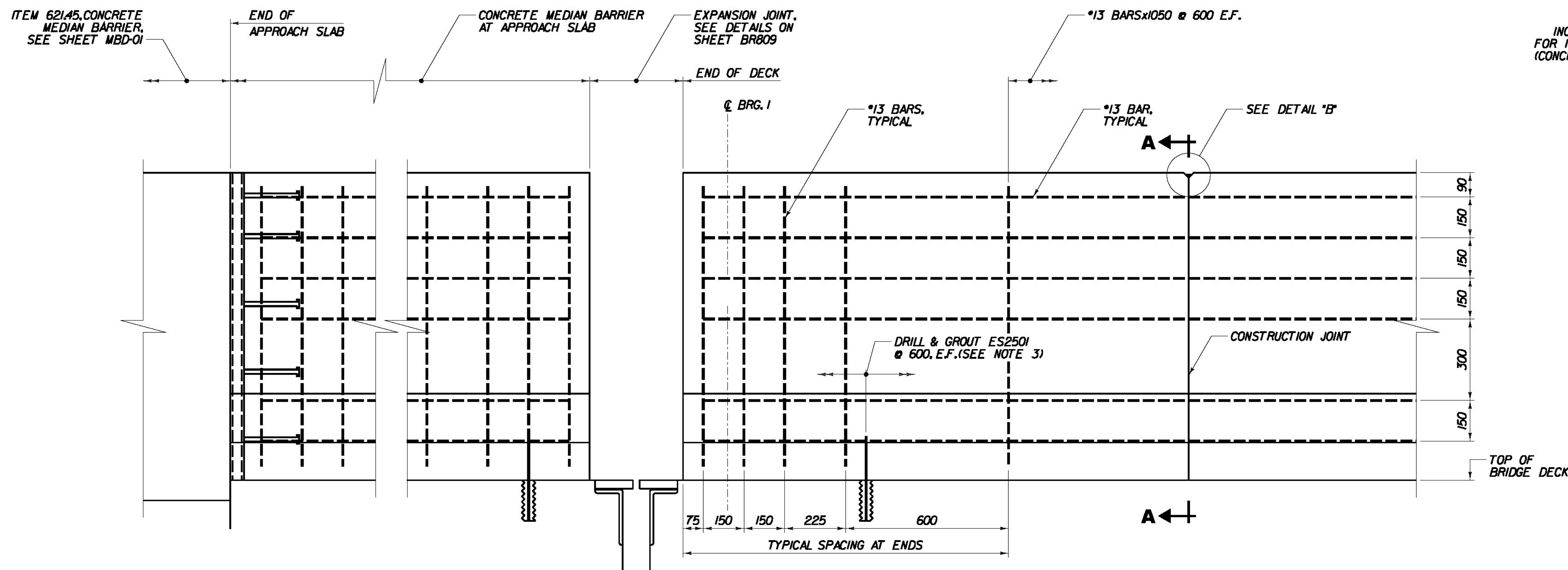


SECTION A-A

SCALE 1/10

NOTES:

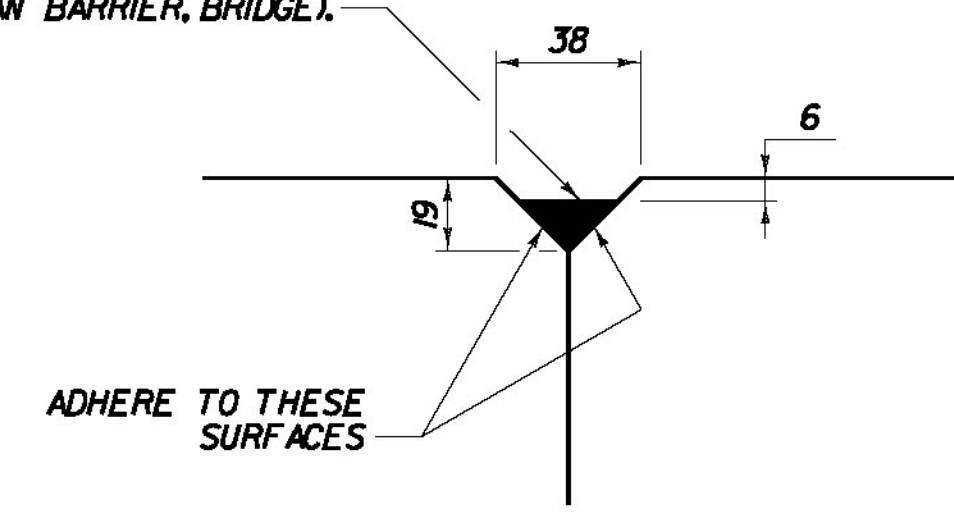
- CAST-IN-PLACE CONCRETE MEDIAN BARRIER WILL BE PAID AS ITEM 900.640 SPECIAL PROVISION (CONCRETE MEDIAN BARRIER, BRIDGE).
- EXPOSED SURFACE OF MEDIAN BARRIER SHALL BE COATED WITH ITEM 5440 WATER REPELLENT, SILANE.
- CONTRACTOR SHALL LOCATE REINFORCING STEEL IN THE DECK AND EXISTING APPROACH SLABS USING NON-DESTRUCTIVE METHODS. BEFORE DRILLING AND GROUTING ES2501, LOCATION OF ES2501 SHALL BE ADJUSTED TO AVOID ANY INTERFERENCE WITH EXISTING DECK REINFORCING.
- CONSTRUCTION JOINTS THROUGH CONCRETE BARRIER SHALL BE SPACED MAXIMUM 5.000m CENTER TO CENTER ON BRIDGE DECK. CONCRETE SHALL BE PLACED IN ALTERNATING SECTIONS WITH A MINIMUM OF 48 HOURS DELAY BETWEEN ADJACENT POURS. CONSTRUCTION JOINTS NOT REQUIRED IN BARRIER SECTION LOCATED ON APPROACH SLABS.
- LONGITUDINAL REINFORCING SHALL PASS THROUGH CONCRETE BARRIER CONSTRUCTION JOINTS.
- SHOP DRAWINGS SHALL INCLUDE REINFORCING SCHEDULE.
- REFER TO STANDARD G-18 FOR LOCATION AND PLACEMENT OF REFLECTORS ON MEDIAN BARRIER. PAYMENT FOR REFLECTORS WILL BE MADE UNDER ITEM 900.640, SPECIAL PROVISION (CONCRETE MEDIAN BARRIER, BRIDGE).



PARTIAL CONCRETE BARRIER ELEVATION

SCALE 1/10

POLYURETHANE JOINT SEALER PER SUBSECTION 524.06c COLOR TO MATCH CONCRETE. COST TO BE INCLUDED IN THE UNIT PRICE BID FOR ITEM 900.640, SPECIAL PROVISION (CONCRETE MEDIAN BARRIER, BRIDGE).



DETAIL B

STATE OF VERMONT AGENCY OF TRANSPORTATION

Town Of	BENNINGTON	Bridge No.	14A
Highway No.		Log Sta.	
		Surv. Sta.	
RAMP G/S OVER VT ROUTE 279 WB			
CONCRETE MEDIAN BARRIER DETAILS			
Designed By	M. CHENETTE	Drawn By	J. SOTER
Checked By		Date	
		Bridge Design Supervisor	
PROJECT	BENNINGTON	PROJECT NO.	NH F019-(154)

