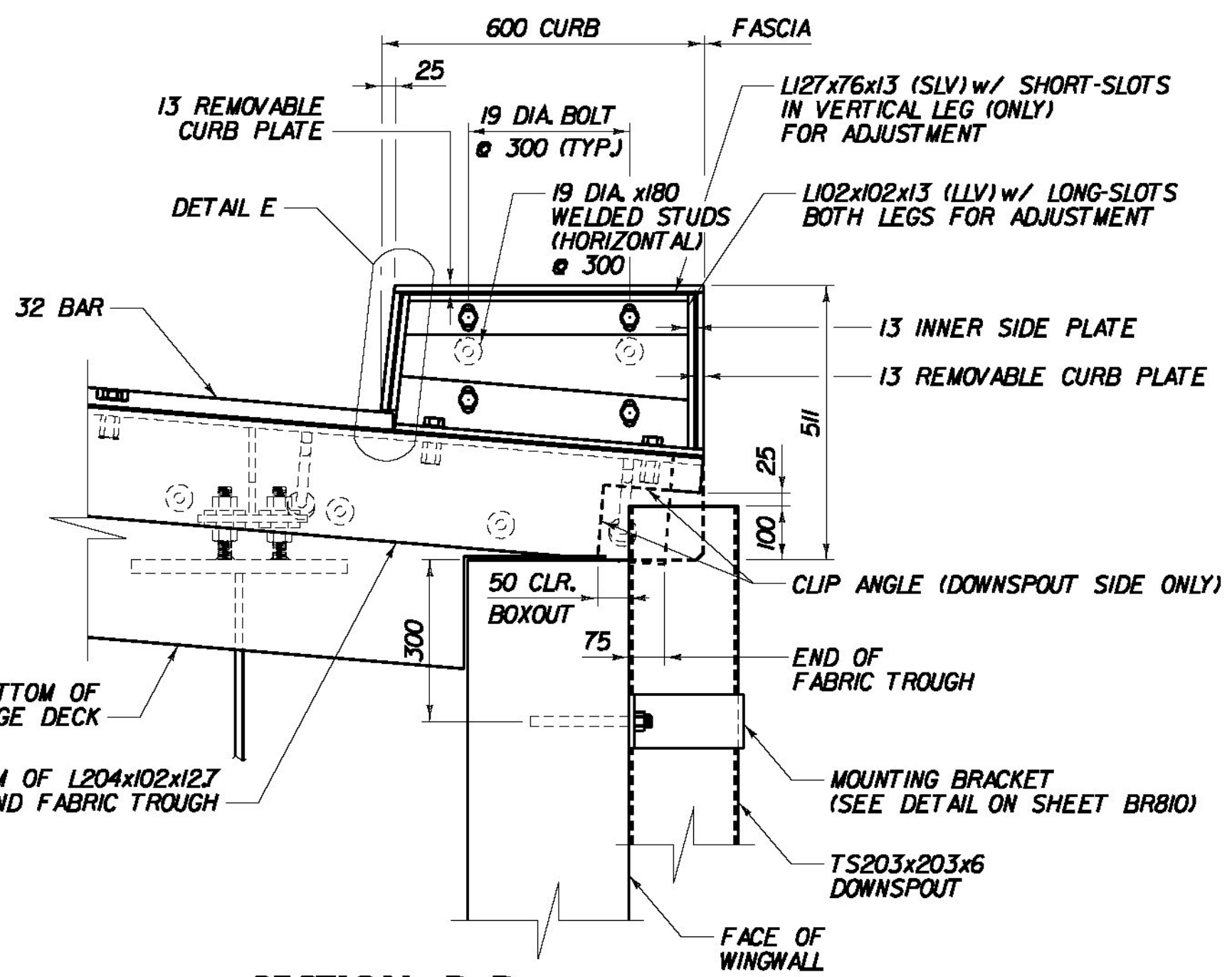
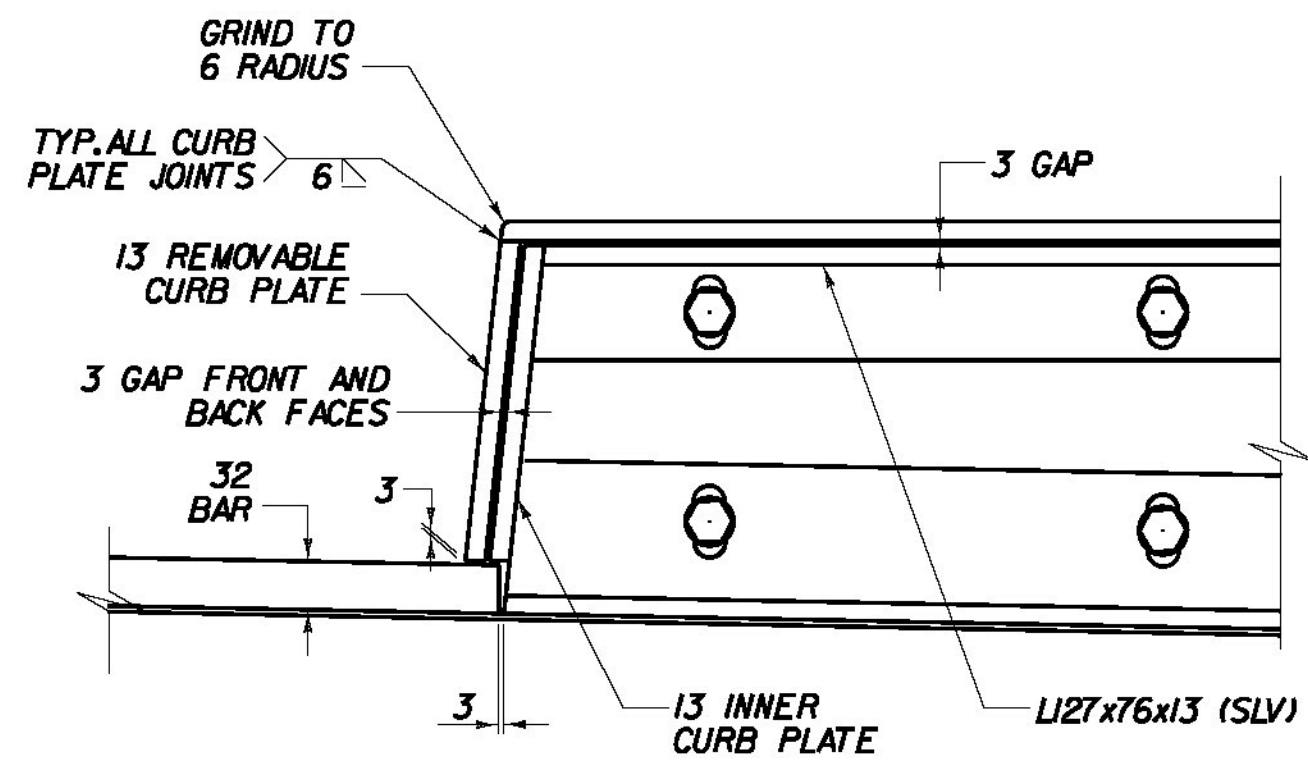


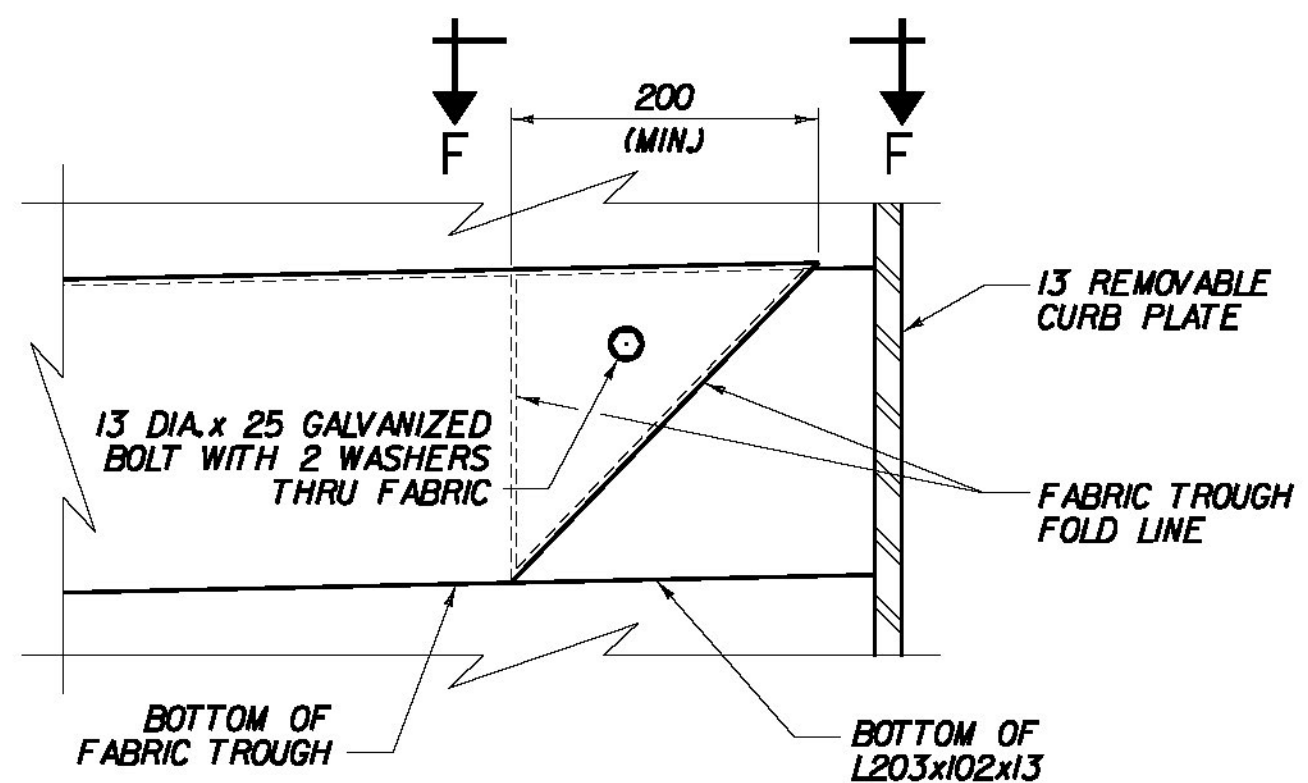
SECTION C-C
SCALE 1/5



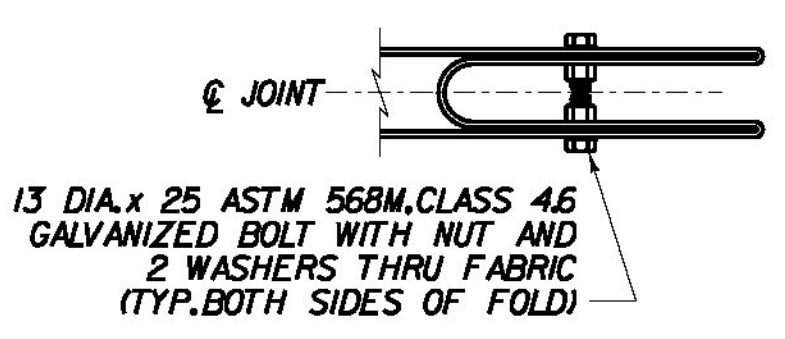
SECTION D-D
SCALE 1/10



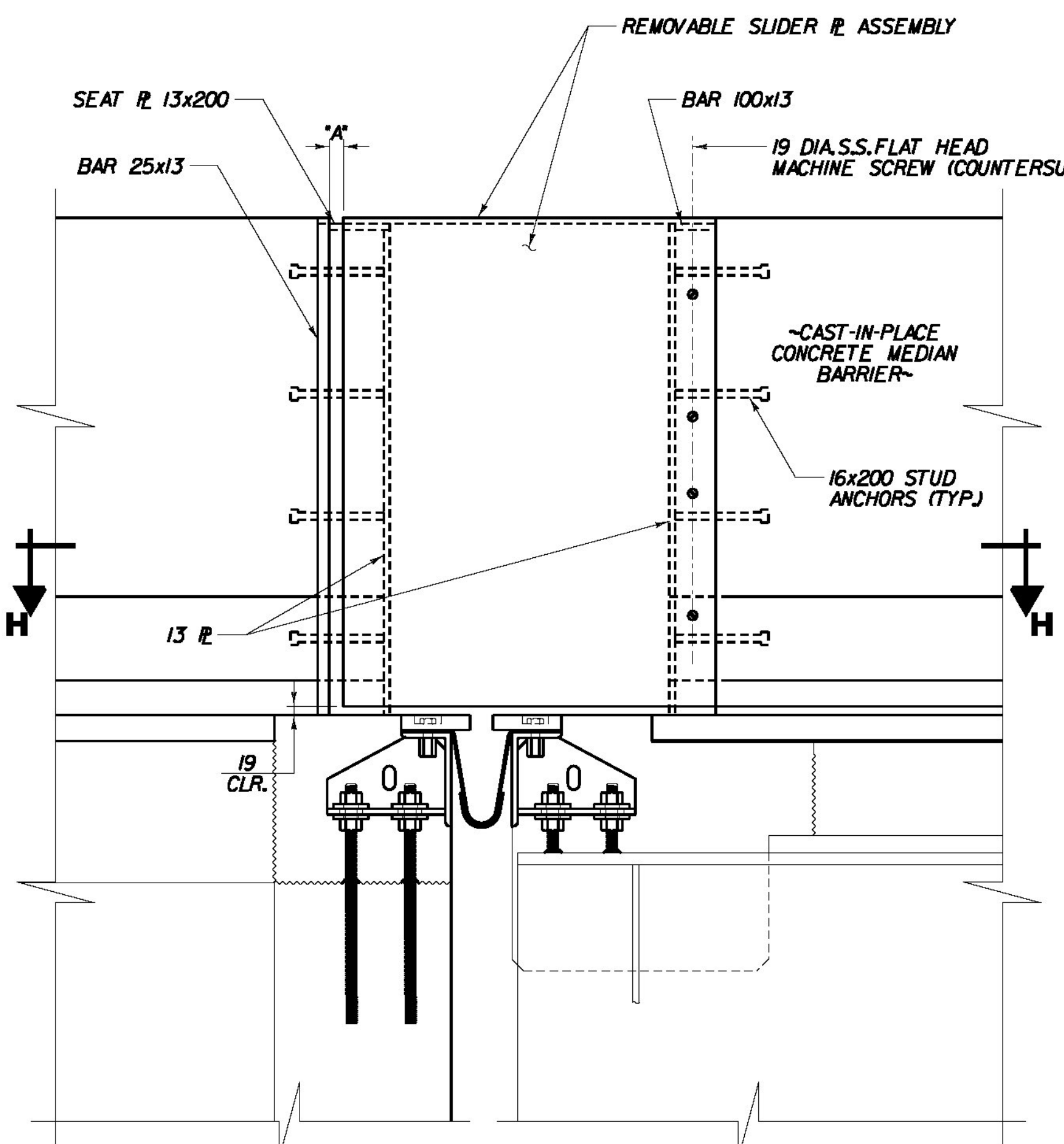
DETAIL E
SCALE 1/5



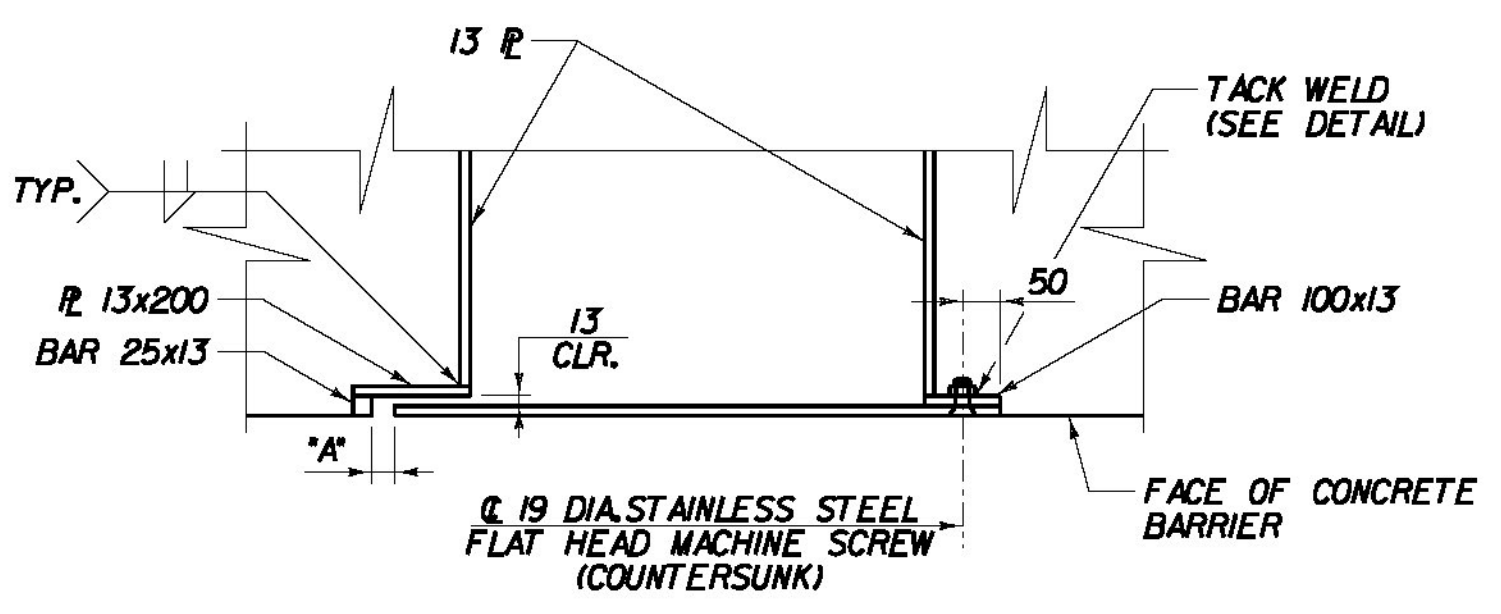
ELEVATION FOLDED TROUGH END DETAILS
NOT TO SCALE



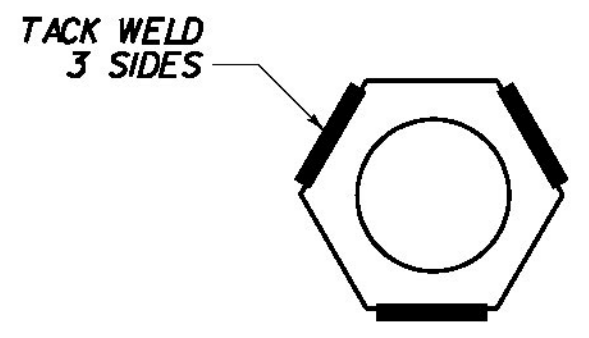
VIEW F-F
NOT TO SCALE



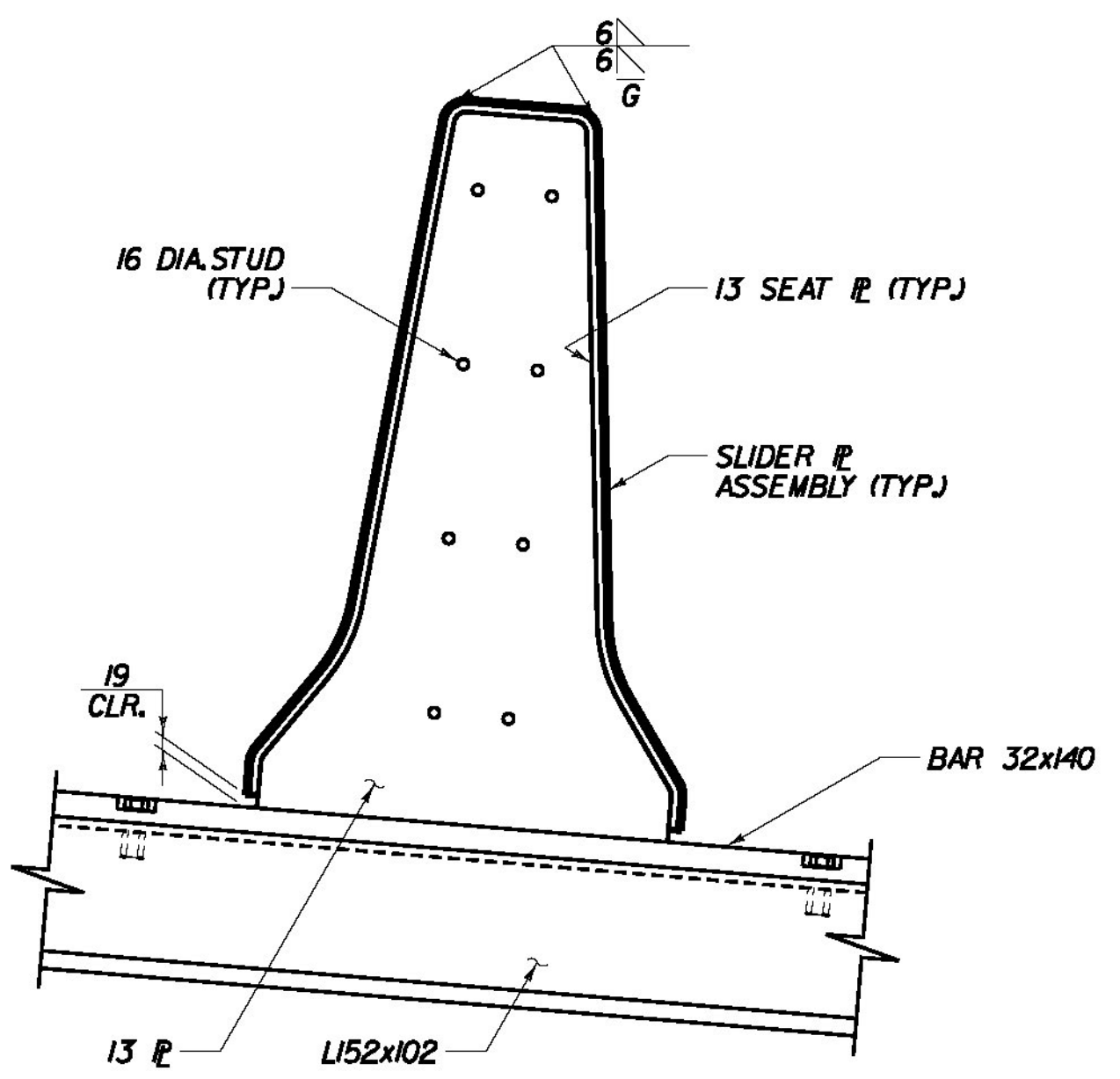
SECTION G-G
SCALE 1/10



SECTION H-H
SCALE 1/10



NUT WELD DETAIL
NOT TO SCALE



SECTION J-J
SCALE 1/10

- NOTES:**
- FOR LOCATION OF SECTION MARKS G-G AND J-J SEE SHEET BR807.
 - FOR DIMENSION *A* SEE TABLE ON SHEET BR808.
 - REMOVABLE SLIDER R ASSEMBLY SHALL BE PAID FOR UNDER ITEM 900.640 SPECIAL PROVISION (CONCRETE MEDIAN BARRIER, BRIDGE).

STATE OF VERMONT AGENCY OF TRANSPORTATION

Town Of	BENNINGTON	Bridge No.	14A
Highway No.		Log Sta.	
		Surv. Sta.	
RAMP G/S OVER VT ROUTE 279 WB			
EXPANSION JOINT DETAIL SHEET 2			
Designed By	M. CHENETTE	Drawn By	J. SOTER
Checked By	M. CHENETTE	Date	11/09
		Bridge Design Supervisor	G. BOGUE
PROJECT	BENNINGTON	Date	11/09
		PROJECT NO.	NH F019-(154)



1/25/2010 4:54:44 PM v:\953\active\9531002\structure\detail\metric\Exp J-F Det12.dwg