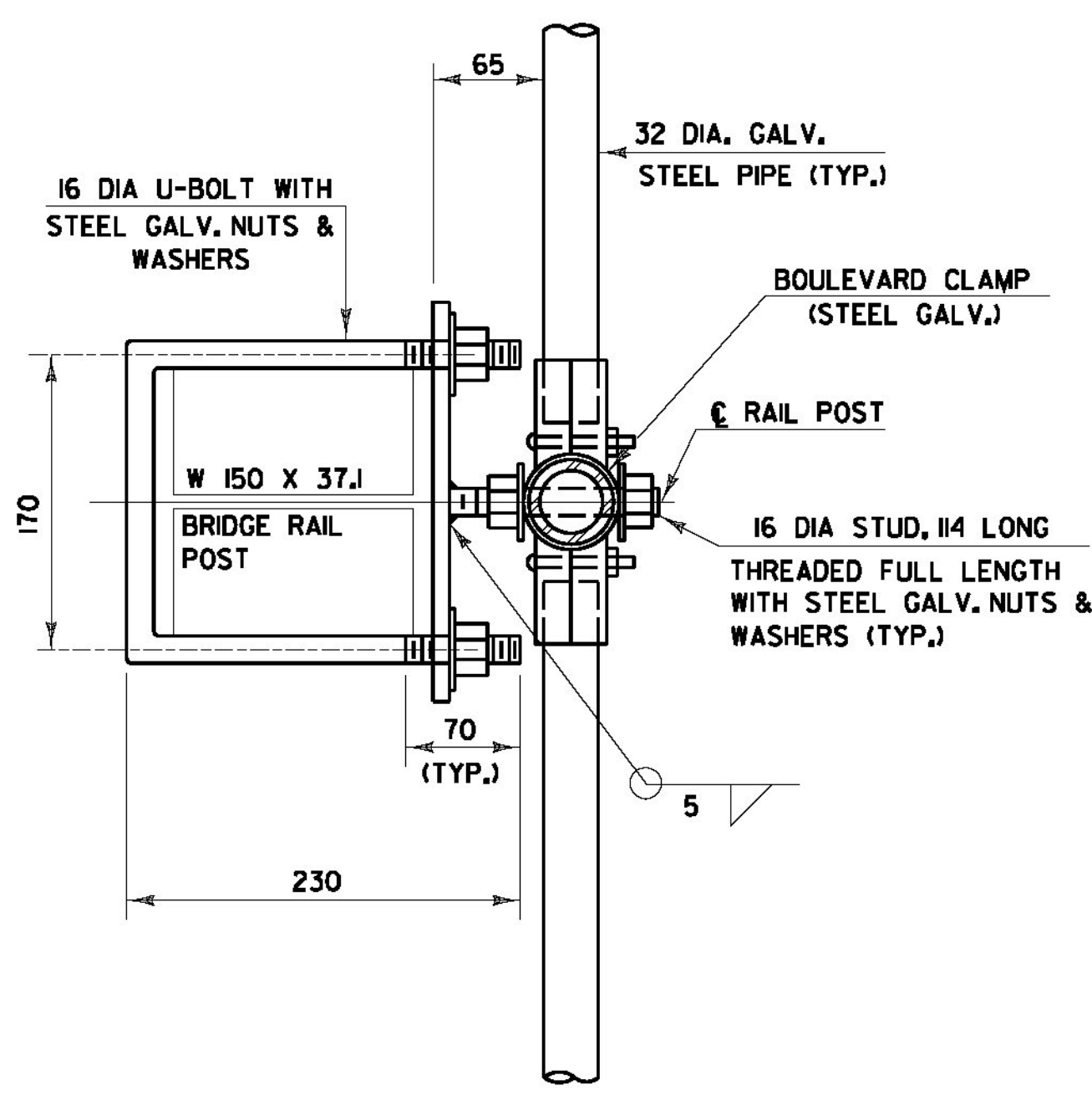
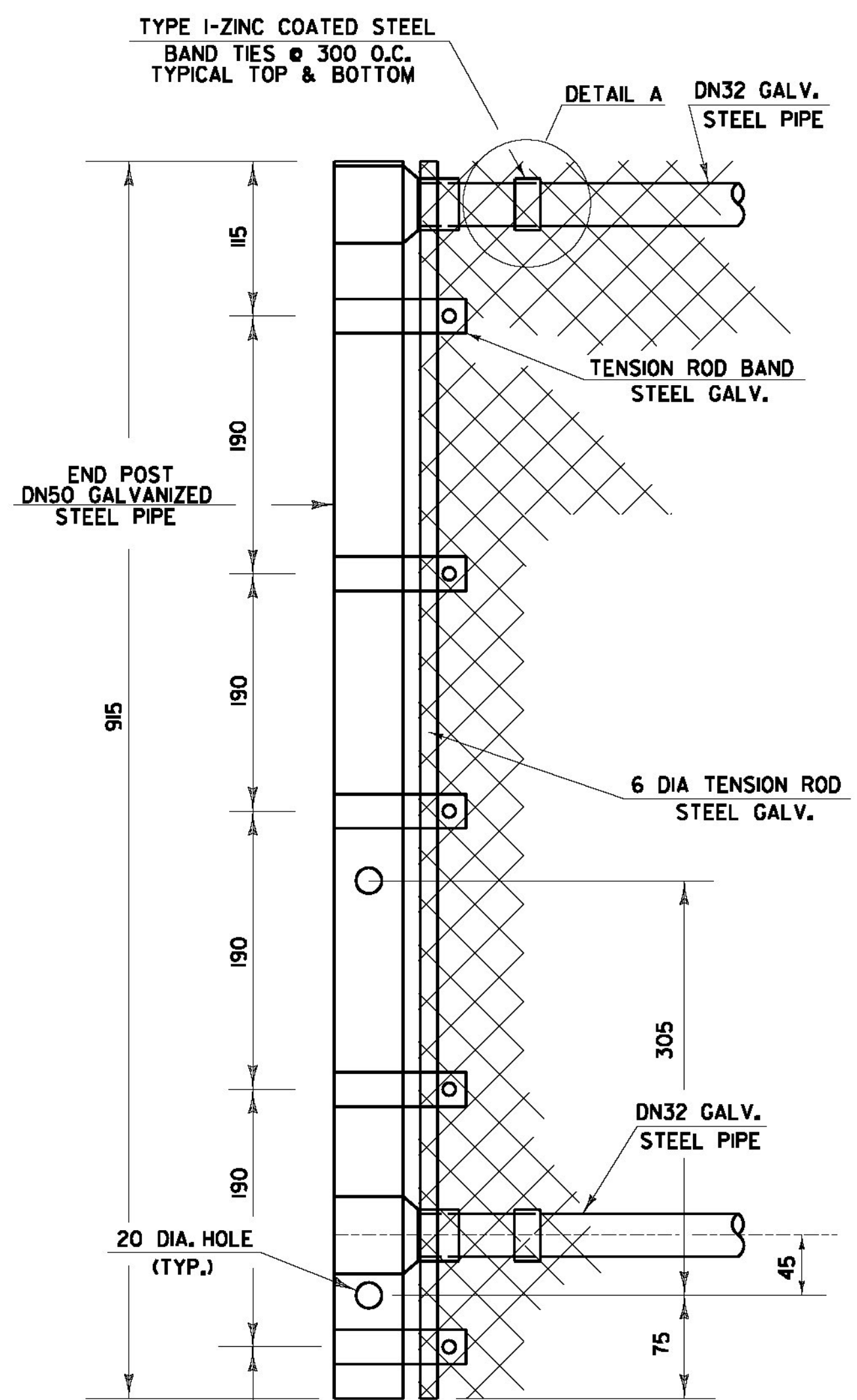


**TYPICAL SECTION**

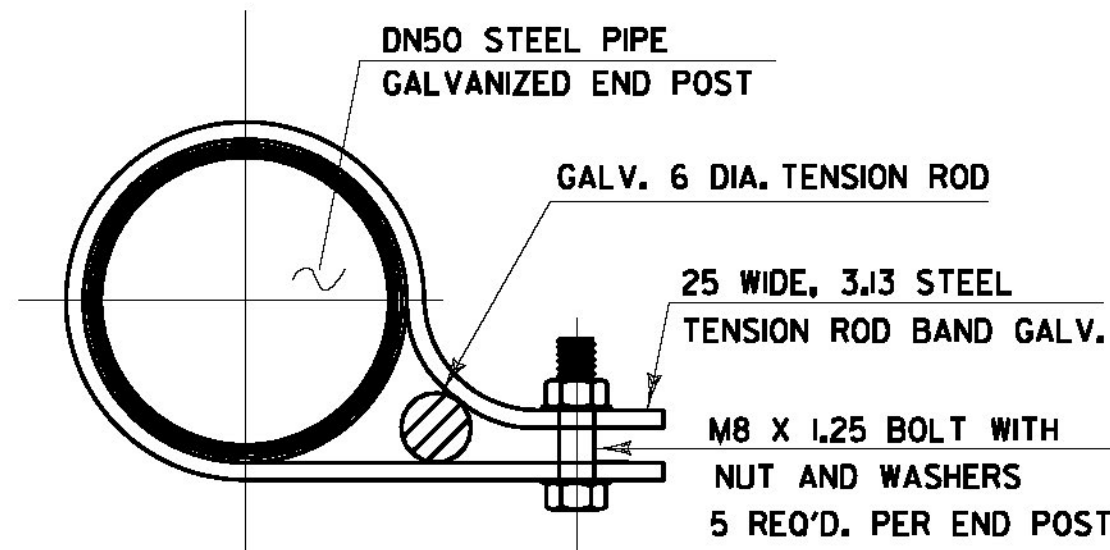
NOTE: FOR DIMENSIONS SEE SHEET BR713



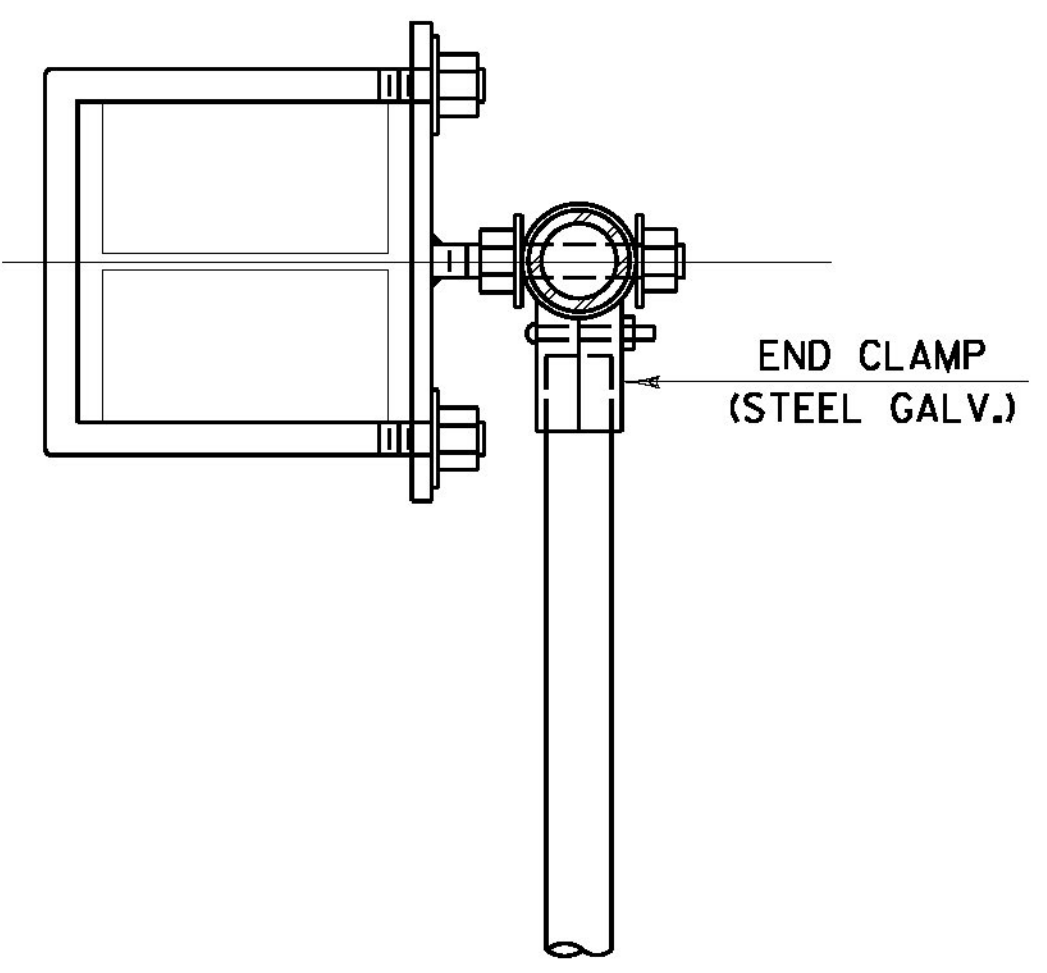
**SECTION A-A**



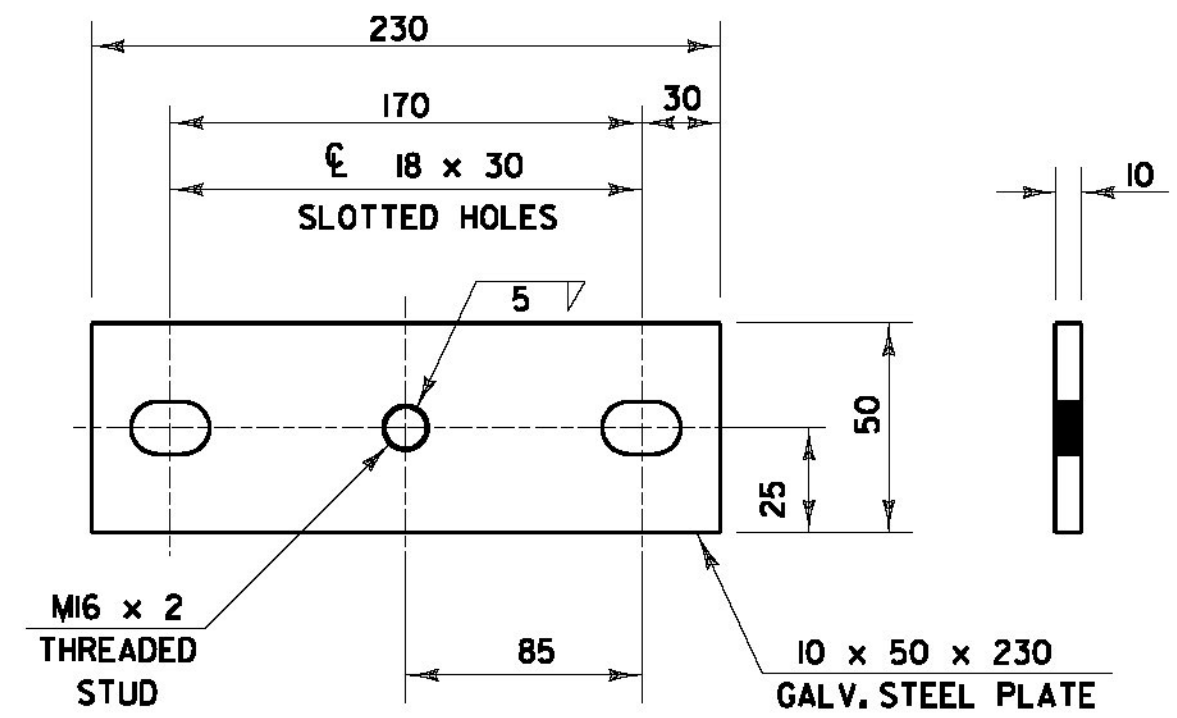
**END POST DETAILS**



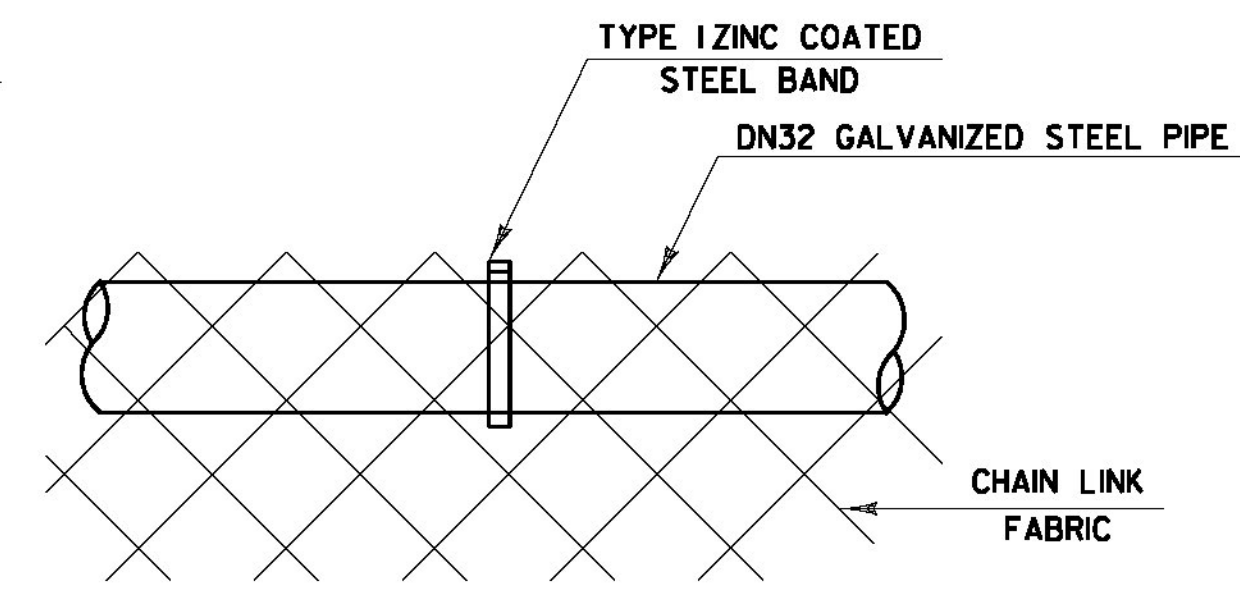
**TENSION ROD BAND**



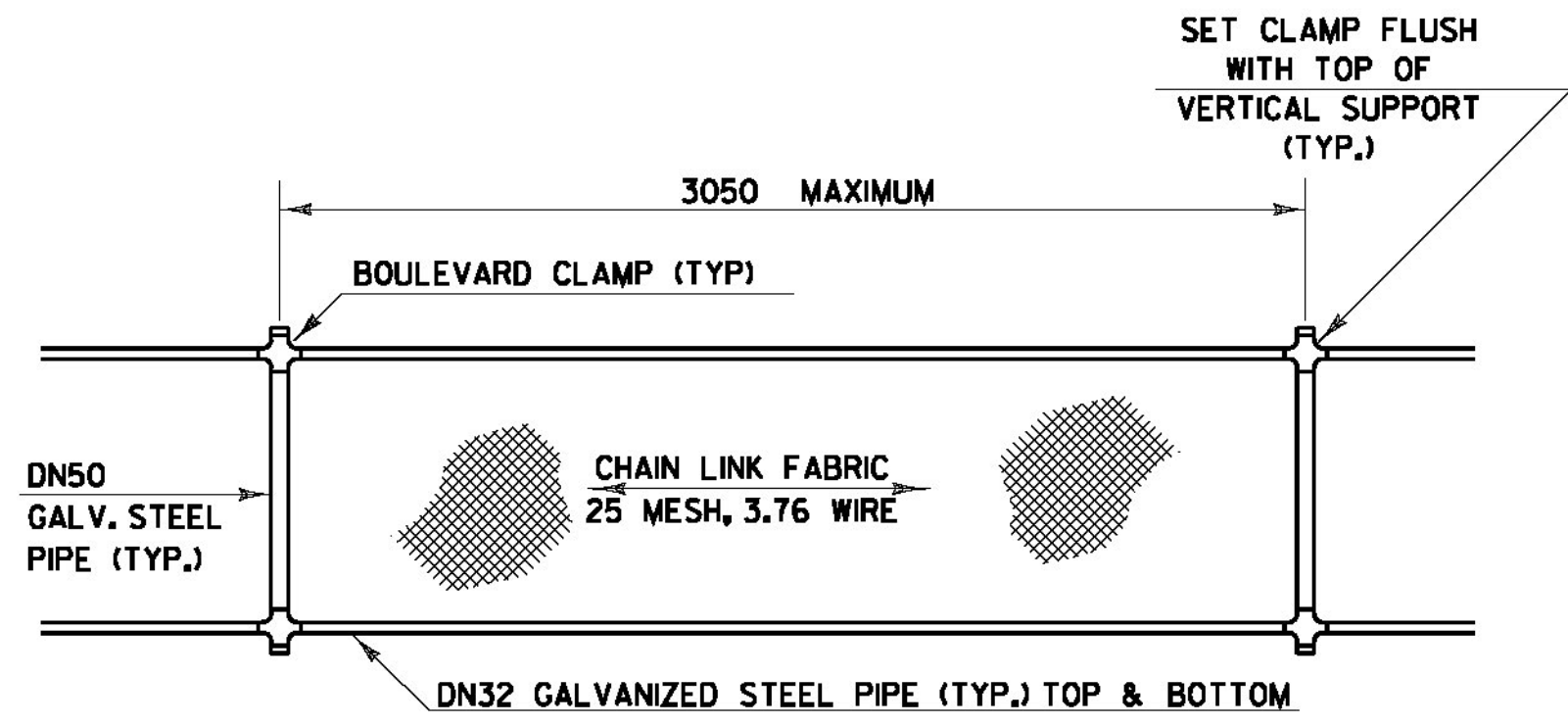
**PLAN VIEW AT END POST**



**PLATE DETAILS**

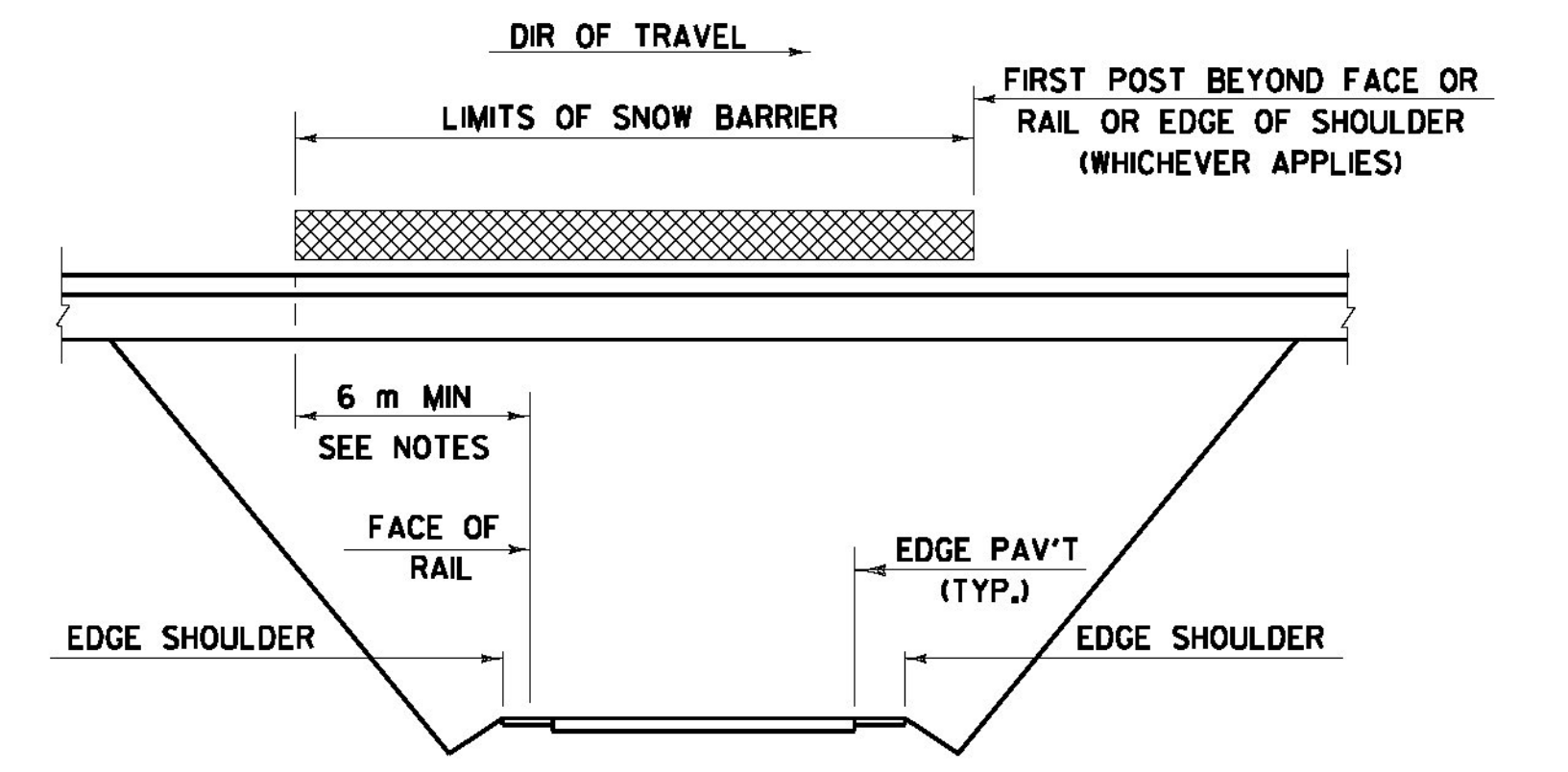


**DETAIL A**



**ELEVATION SNOW BARRIER**

- NOTES**
1. THREADS OF STUDS AND U-BOLTS TO BE M16 x 2.
  2. ALL CONNECTION PLATES TO BE GALVANIZED AFTER FABRICATION.
  3. DN 32 PIPE LENGTH SHALL BE FIELD CUT TO FIT POST SPACING.
  4. CHAIN LINK FABRIC TO BE KNUCKLED TOP AND BOTTOM.
  5. ALL BOLTS, THREADED STUDS AND WASHERS SHALL CONFORM TO THE SPECIFICATIONS FOR ASTM F 568M, CLASS 4.6. NUTS SHALL CONFORM TO AASHTO M291M.
  6. ALL STEEL PLATES SHALL CONFORM TO THE SPECIFICATION FOR AASHTO M 270M/M 270, GRADE 250.
  7. ALL GALVANIZING SHALL CONFORM TO THE REQUIREMENTS OF AASHTO M 181 WITH HARDWARE AND FITTINGS CONFORMING TO THE REQUIREMENTS OF AASHTO M 111 OR AASHTO M 232 WHICHEVER IS APPLICABLE. ALL BOLTS, NUTS AND WASHERS SHALL BE EITHER HOT-DIP GALVANIZED IN ACCORDANCE WITH THE ABOVE AASHTO REQUIREMENTS OR MECHANICALLY GALVANIZED USING A MECHANICALLY DEPOSITED PROCESS CONFORMING TO THE REQUIREMENTS OF AASHTO M 298, CLASS 110.
  8. GALVANIZED CHAIN-LINK FABRIC SHALL BE TYPE 1 (ZINC) CLASS D AS SPECIFIED IN AASHTO M 181.
  9. SNOW BARRIER SHALL BEGIN AT THE BRIDGE RAIL POST WHICH WILL PROVIDE A MINIMUM DISTANCE OF 6m (AS SHOWN) OR AS DIRECTED BY THE ENGINEER.
  10. ALL DN (I.E. DIAMETER NOMINAL) REFERENCES TO GALVANIZED STEEL PIPE SHALL REFER TO THE NOMINAL PIPE SIZE.
  11. ALL POSTS, RAILS AND HARDWARE SHALL BE ZINC COATED AND CONFORM TO THE REQUIREMENTS OF AASHTO M 181, GRADE 1 OR GRADE 2.



**SCHEMATIC SNOW BARRIER LIMITS**

NOTE: ALL DIMENSIONS ARE IN MILLIMETERS (mm) EXCEPT WHERE NOTED.

STATE OF VERMONT AGENCY OF TRANSPORTATION			
Town Of	BENNINGTON	Bridge No.	13N
Highway No.		Log Sta.	
		Surv. Sta.	
US ROUTE 7 NB OVER VT ROUTE 279 EB			
SNOW FENCE - NETC 2 RAIL			
Designed By	VTRANS	Drawn By	VTRANS
Checked By	M. CHENETTE	Date	11/09
		Bridge Design Supervisor	G. BOGUE
		Date	11/09
PROJECT	BENNINGTON	PROJECT NO.	NH F019-(154)
L.G.C. info			
Bridge Sheet No. BR716		Sheet 273 of 468	



1/26/2010 4:54:09 PM v:\953\active\953002\structure\design\br716\11-11-09\NETC 2 RAIL SNOW.PLT