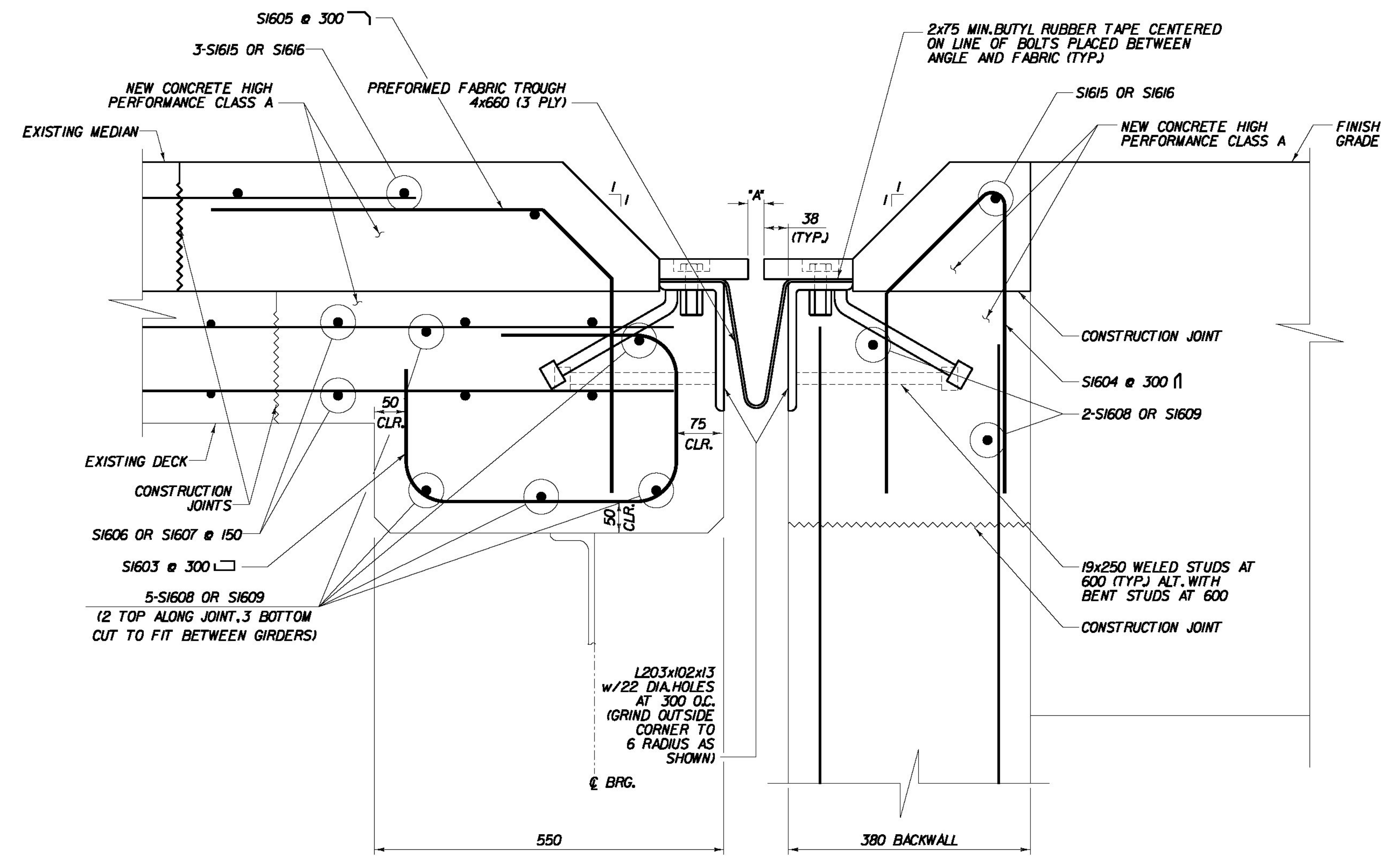


**EXISTING SECTION BETWEEN GIRDERS IN MEDIAN**  
SCALE: 1/4"=1'-0"



**SECTION C-C PROPOSED SECTION IN MEDIAN**  
(NORMAL TO  $\epsilon$  BEARING)  
SCALE: 1/5"

I:\25\2010\_4555\50\_Plan\953\active\953\002\structure\detail\design\slr\7\plot1 - file\179-SI7NB-Exp\JHDetrs2.plt

<b>STATE OF VERMONT AGENCY OF TRANSPORTATION</b>			
Town Of	<b>BENNINGTON</b>	Bridge No.	13N
Highway No.		Log Sta.	
		Surv. Sta.	
<b>US ROUTE 7 NB OVER VT ROUTE 279 EB</b>			
<b>EXPANSION JOINT DETAIL SHEET 2</b>			
Designed By	M. CHENETTE	Drawn By	J. SOTER
Checked By	Date	Bridge Design Supervisor	
M. CHENETTE	11/09	G. BOGUE	Date 11/09
PROJECT	<b>BENNINGTON</b>	PROJECT NO.	<b>NH F019-(154)</b>
L.G.C. Info			
Bridge Sheet No. BR708		Sheet 265 of 468	

