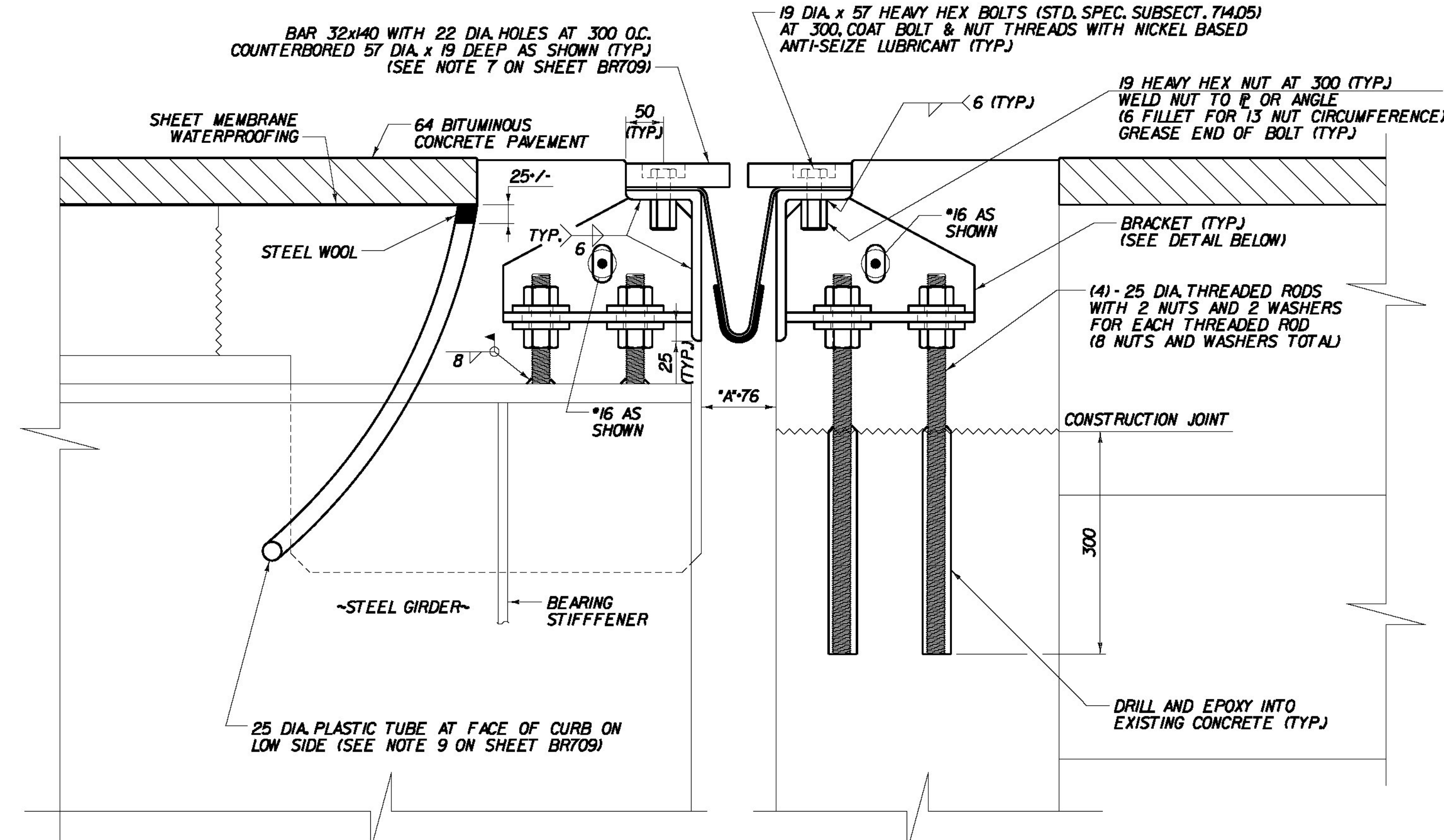
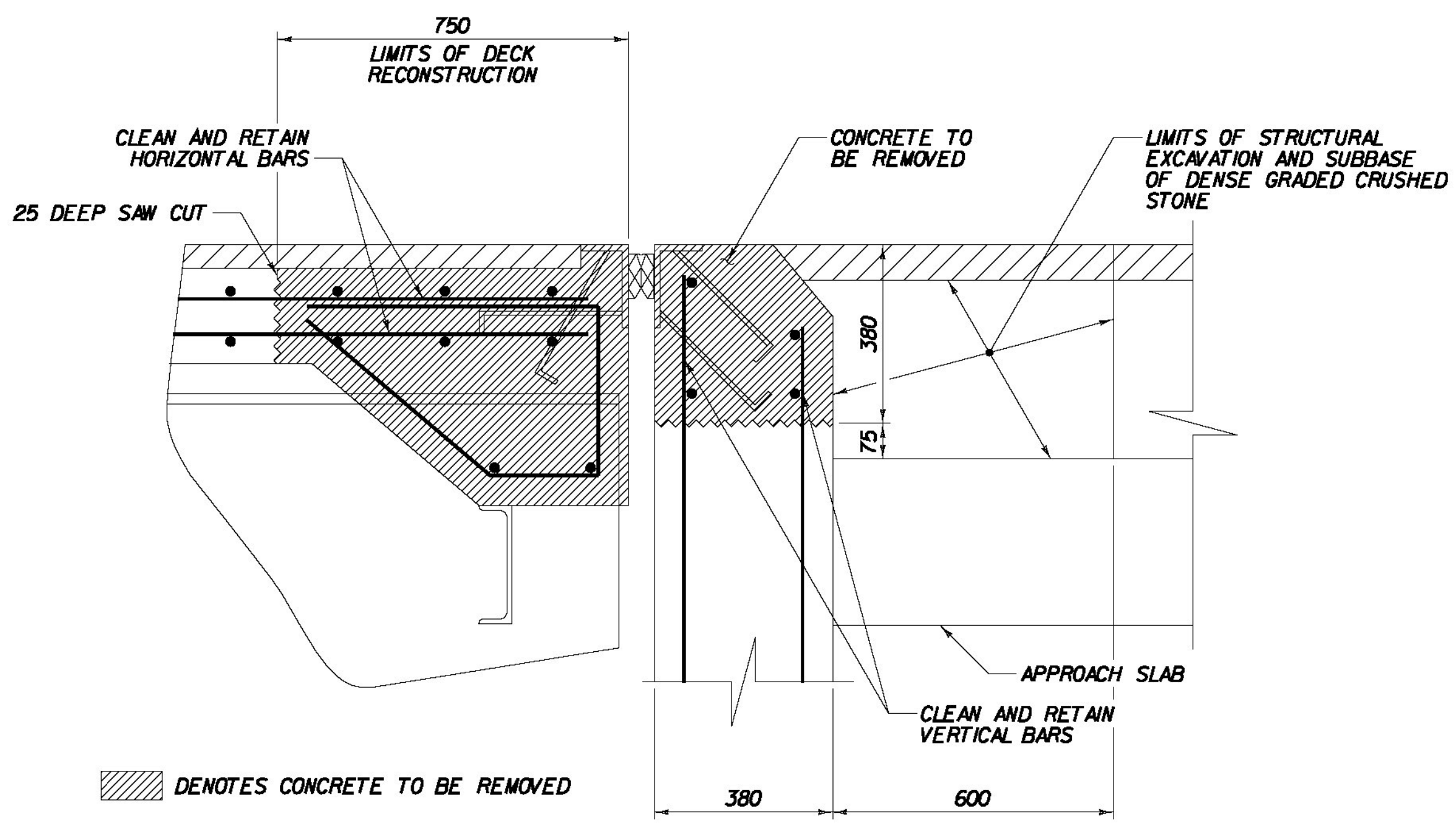


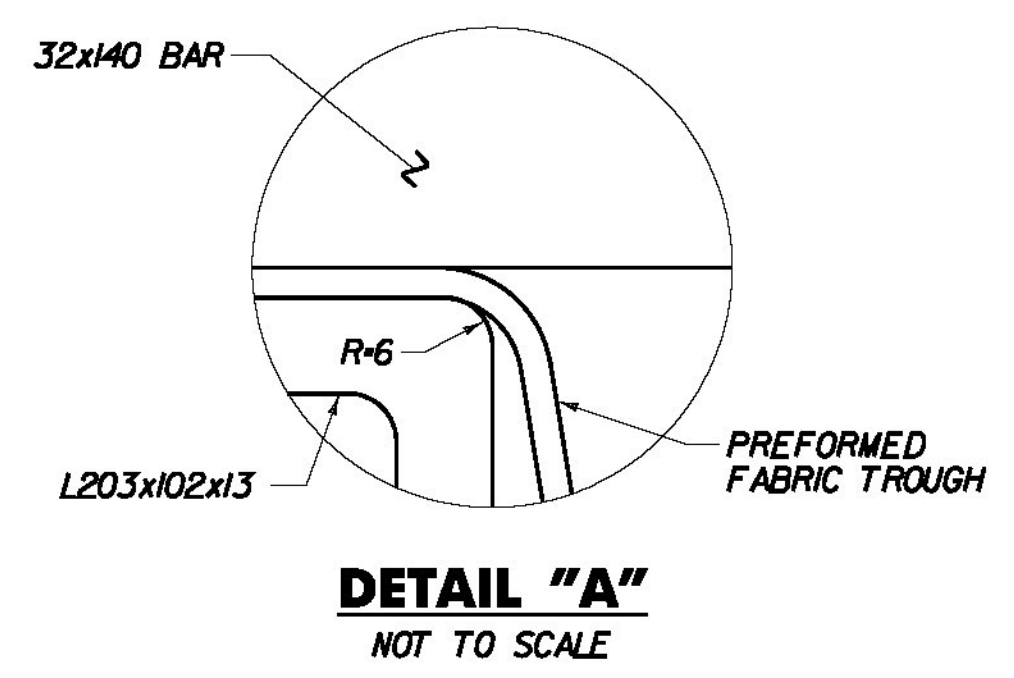
SECTION A-A
PROPOSED SECTION BETWEEN GIRDERS IN ROADWAY
 (NORMAL TO ϕ BEARING)
 SCALE 1/5



SECTION B-B
TYPICAL SECTION AT GIRDERS IN ROADWAY
 (NORMAL TO ϕ BEARING)
 SCALE 1/5

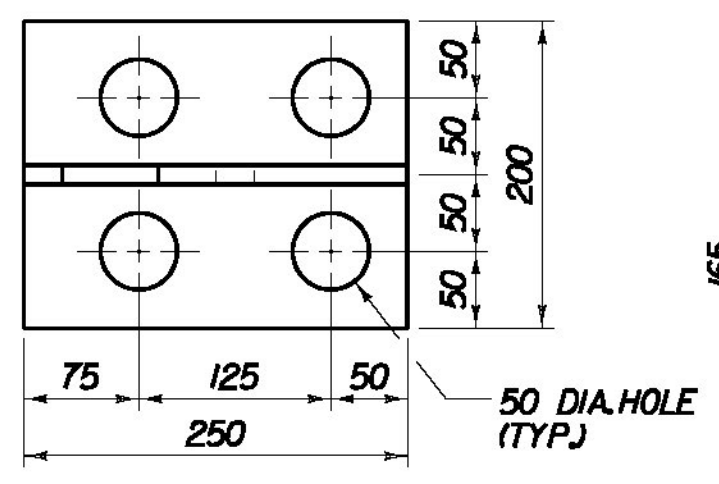


EXISTING SECTION BETWEEN GIRDERS IN ROADWAY
 SCALE 1/10

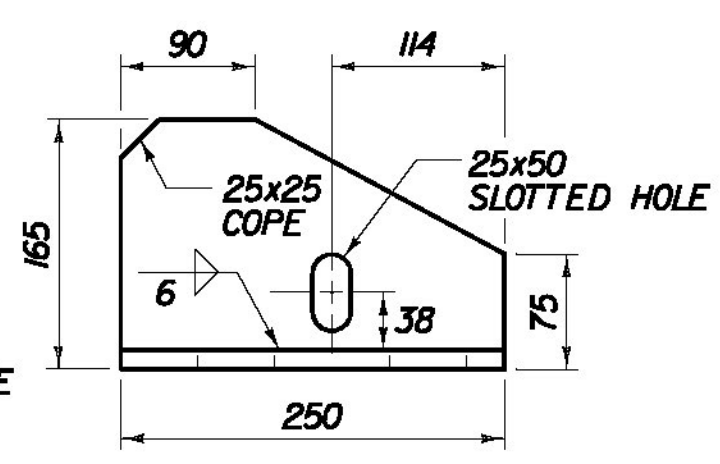


DETAIL "A"
 NOT TO SCALE

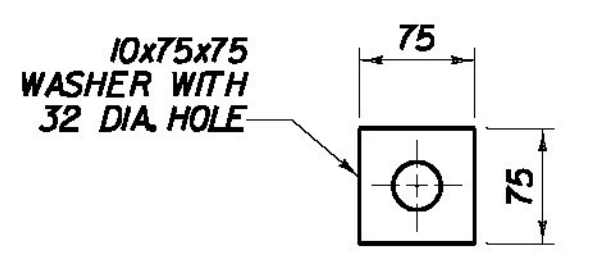
TEMP	*A* DIST.	
	ABUT. 1	ABUT. 2
-20°C	38	35
-10°C	34	32
0°C	31	29
10°C	27	26
20°C	24	22
30°C	20	19
40°C	17	16



PLAN



ELEVATION



WASHER FOR BRACKET

NOTE: ALL PLATES SHALL BE 13 THICK UNO.

BRACKET DETAILS
 SCALE 1/5

STATE OF VERMONT AGENCY OF TRANSPORTATION

Town Of	BENNINGTON	Bridge No.	13N
Highway No.		Log Sta.	
		Surv. Sta.	
US ROUTE 7 NB OVER VT ROUTE 279 EB			
EXPANSION JOINT DETAIL SHEET 1			
Designed By	M. CHENETTE	Drawn By	J. SOTER
Checked By	M. CHENETTE	Date	11/09
		Bridge Design Supervisor	G. BOGUE
PROJECT	BENNINGTON	Date	11/09
		PROJECT NO.	NH F019-(154)
L.G.C. info			
Bridge Sheet No. BR707			
Sheet 264 of 468			