

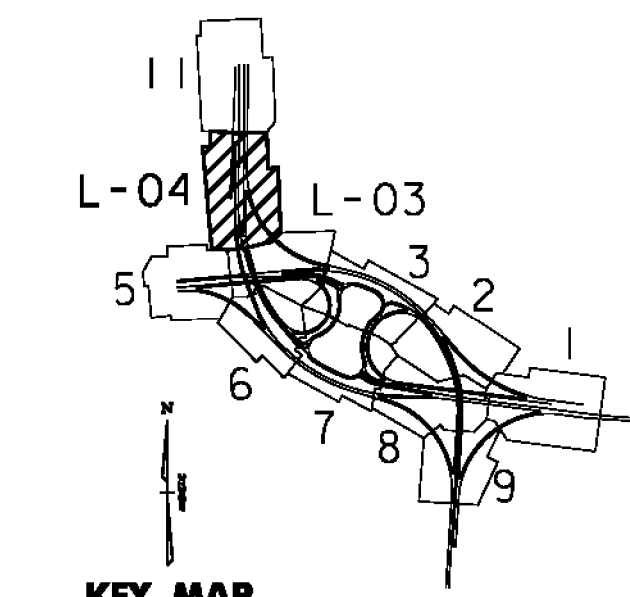
ALL AERIAL E&T AND APPURTENANCES TO BE REMOVED BY OTHERS

**STA. 11+405.350
END APPROACH**

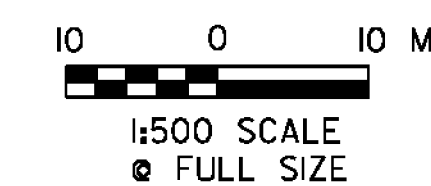
**STA. 11+372.350
END CONSTRUCTION
BEGIN APPROACH**

**STA. NB 11+051.048
END FULL DEPTH CONSTRUCTION
BEGIN COLD PLANE/OVERLAY
AND WIDENING**

MOVED TO 11+150 - 11+170 RT



NOTE
THIS SHEET TO BE USED FOR LANDSCAPING INFORMATION ONLY.



VERMONT AGENCY OF TRANSPORTATION



PROJECT NAME:	BENNINGTON	PLOT DATE:	1/27/2010
PROJECT NUMBER:	NH 019-(154)	DRAWN BY:	E. SMALL
FILE NAME:	...\\dgn\zd307c4gen_plans.ptf	CHECKED BY:	J. STEELE
DESIGN SUPERVISOR:	J. BENSON		
DESIGNED BY:	J. STEELE/C. BRODIE		
LANDSCAPE PLAN L-04		SHEET 255 OF 468	

I:\R3463PC\confr\cct-5A\cgr\zd307c4gen_plans.ptf