

STA. WB 10+600.000
END COLD PLANE/OVERLAY
BEGIN FULL DEPTH CONSTRUCTION

STA. G 1+447.585
END CONSTRUCTION

STA. Q 1+000.000
END COLD PLANE/OVERLAY
BEGIN FULL DEPTH CONSTRUCTION

STA. G 1+909.82
STOP ROADWAY
BEGIN BRIDGE

STA. SB 10+779.16
STOP ROADWAY
BEGIN BRIDGE

STA. G 1+980.91
END BRIDGE
RESUME ROADWAY

STA. SB 10+849.95
END BRIDGE
RESUME ROADWAY

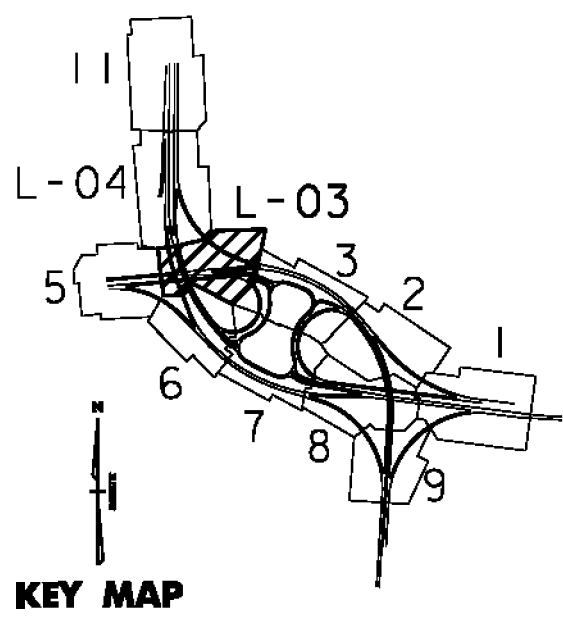
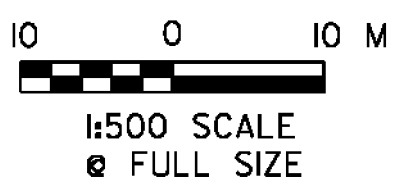
MOVED TO 11+200 RT

MOVED TO DRN 1+060 - DRN 1+100

MOVED TO 11+150 RT

ALL AERIAL E&T AND APPURTENANCES TO BE REMOVED BY OTHERS

NOTE
THIS SHEET TO BE USED FOR LANDSCAPING INFORMATION ONLY.



| | |
|---|-----------------------|
| VERMONT AGENCY OF TRANSPORTATION | |
| DuBois & King INC. | |
| PROJECT NAME: BENNINGTON | PLOT DATE: 1/27/2010 |
| PROJECT NUMBER: NH 019-(154) | DRAWN BY: E. SMALL |
| FILE NAME: ...dgn\zd307c4gen_plans.ptf | CHECKED BY: J. STEELE |
| DESIGN SUPERVISOR: J. BENSON | SHEET 254 OF 468 |
| DESIGNED BY: J. STEELE/C. BRODIE | |
| LANDSCAPE PLAN L-03 | |

I:\R13463PC\confr\cct-5A\cgr\zd307c4gen_plans.plt