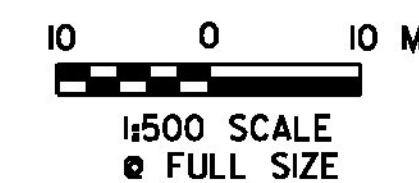
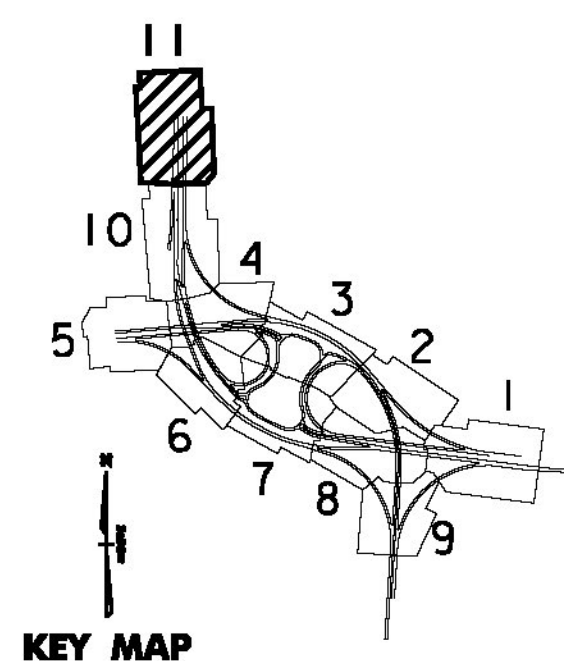
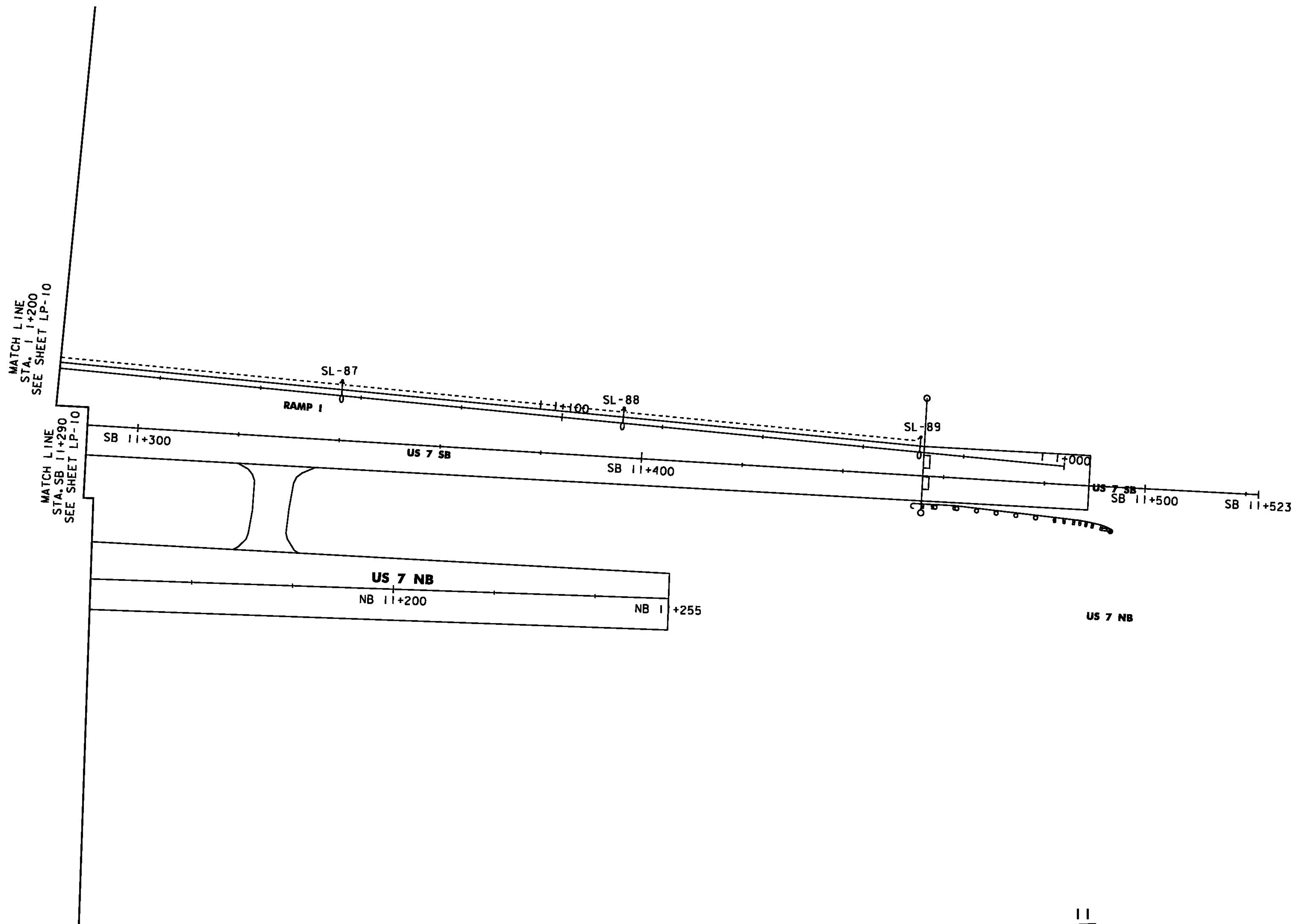


STREET LIGHTING LOCATIONS

POLE NO.	LOCATION	BREAK-AWAY BASE	LUMINAIRE			LUMINAIRE MOUNTING HT. TO ROADWAY (M)	TRANSFORMER BASE HT. (M)	ARM RISE (M)	ARM LENGTH (M)	CONCRETE BASE DIAM / DEPTH (mm) / (mm)
			WATTS	DIST. TYPE	VOLTAGE					
SL-87	I I+144.0, 3.0m RT.	YES	200	III	240	10.600	0.500	0.762	0.610	610/1828
SL-88	I I+087.9, 3.0m RT.	YES	200	III	240	10.600	0.500	0.762	0.610	610/1828
SL-89	I I+028.8, 3.0m RT.	YES	200	III	240	10.600	0.500	0.762	0.610	610/1828

WIRED CONDUIT (50mm) (PVC)
 I I+028.8, 3.0m RT. - I I+087.9, 3.0m RT.
 I I+087.9, 3.0m RT. - I I+144.0, 3.0m RT.
 I I+144.0, 3.0m RT. - I I+200.0, 2.2m RT.



KEY MAP



PROJECT NAME: BENNINGTON
 PROJECT NUMBER: NH 019-1(54)
 FILE NAME: ..\zd307c4\gt.plans.ptf
 DESIGN SUPERVISOR: GREG EDWARDS
 DESIGNED BY: MAEGAN CROWLEY
 LIGHTING PLANS LP-11

PLOT DATE: 1/26/2010
 DRAWN BY: STANTEC
 CHECKED BY: GARY SANTY
 SHEET 234 OF 468