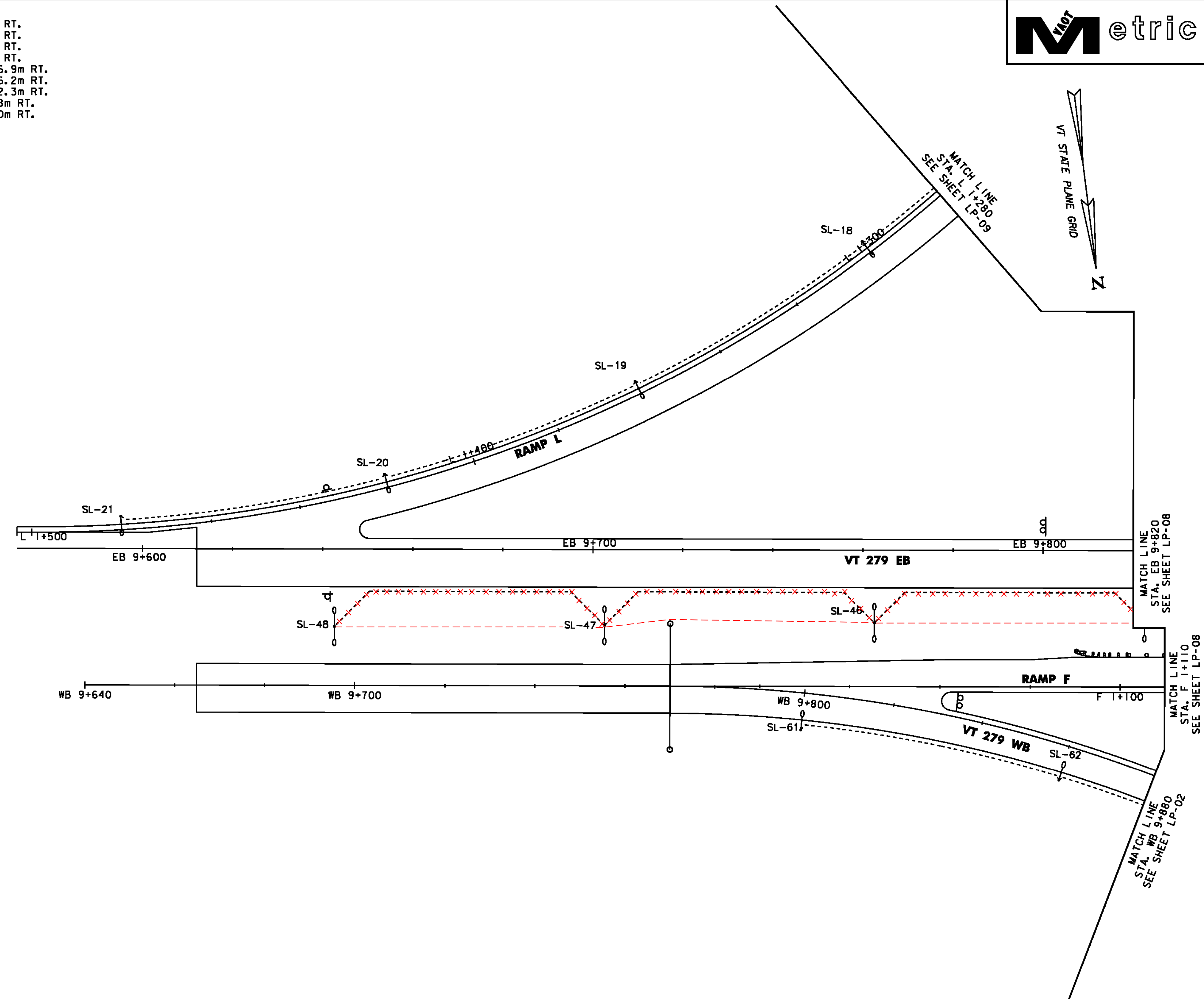
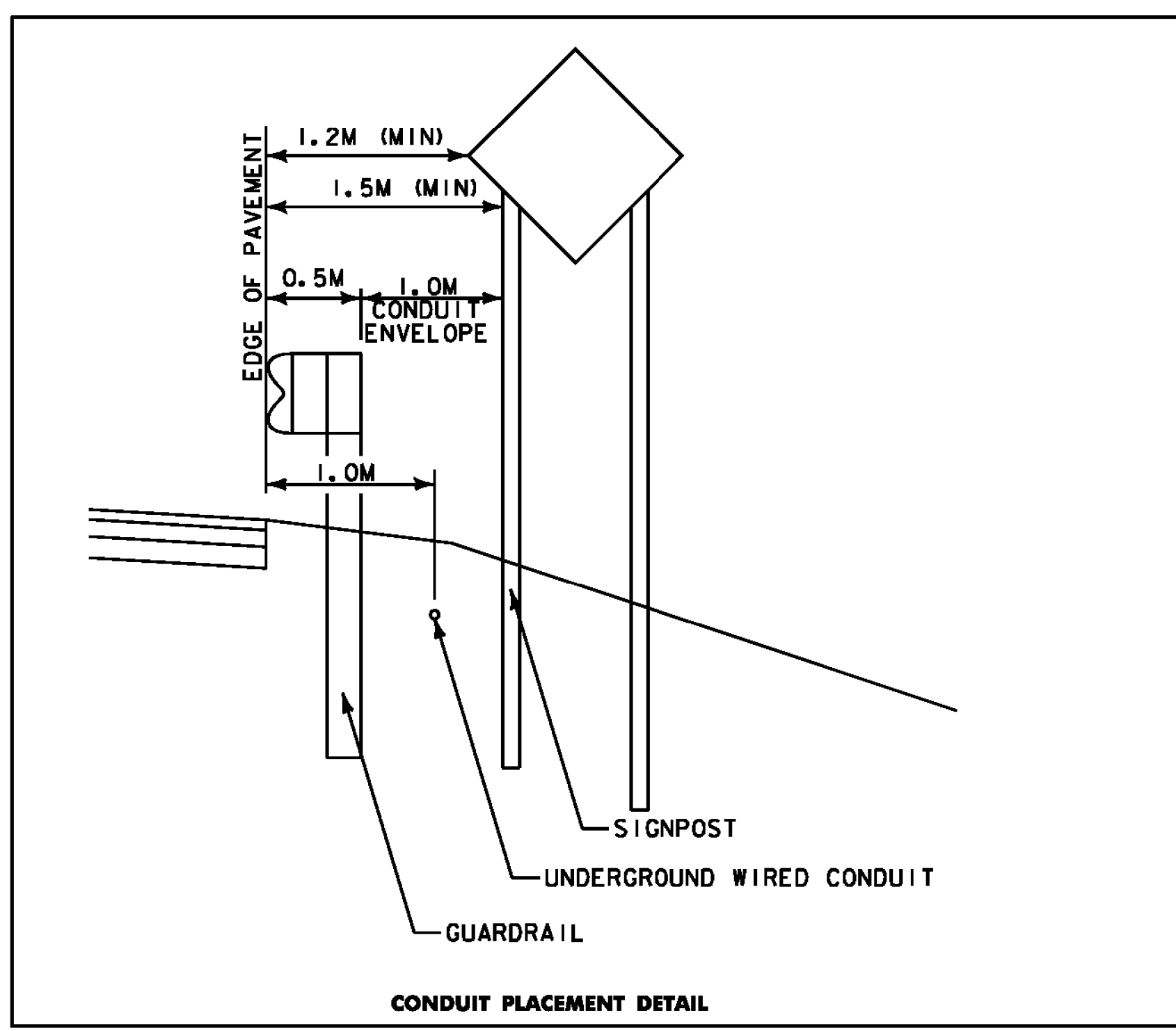


**STREET LIGHTING LEGEND**

- TYPE A STREET LIGHT
- TYPE B STREET LIGHT
- HAND HOLE / JUNCTION BOX
- UNDERGROUND WIRED CONDUIT (50mm) (PVC)

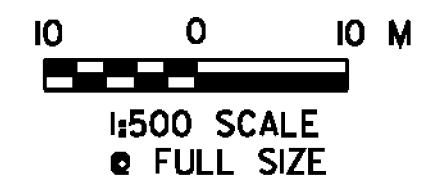
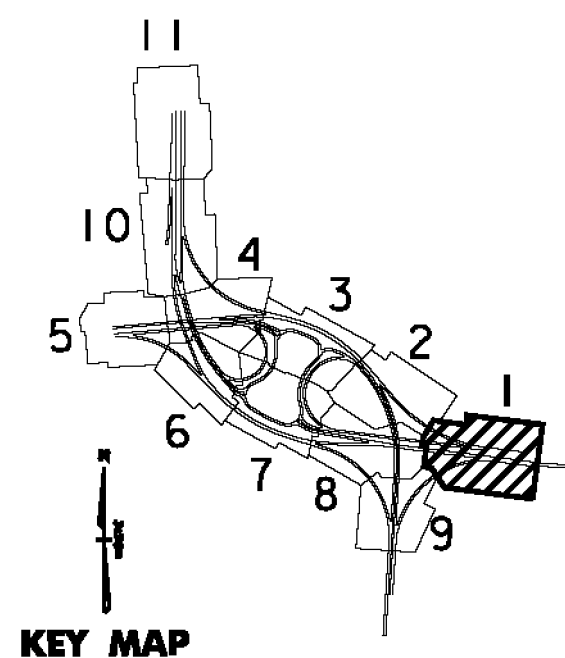
**WIRED CONDUIT (50mm) (PVC)**

L 1+280.0, 2.2m RT. - L 1+300.0, 3.0m RT.  
 L 1+300.0, 3.0m RT. - L 1+360.0, 3.0m RT.  
 L 1+360.0, 3.0m RT. - L 1+420.0, 3.0m RT.  
 L 1+420.0, 3.0m RT. - L 1+480.0, 3.0m RT.  
 EB 9+642.6, 17.2m RT. - EB 9+702.6, 16.9m RT.  
 EB 9+702.6, 16.9m RT. - EB 9+762.6, 16.2m RT.  
 EB 9+762.6, 16.2m RT. - EB 9+820.0, 12.3m RT.  
 WB 9+800.0, 8.2m RT. - WB 9+860.0, 7.8m RT.  
 WB 9+860.0, 7.8m RT. - WB 9+880.0, 7.0m RT.



**STREET LIGHTING LOCATIONS**

POLE NO.	LOCATION	BREAK-AWAY BASE	LUMINAIRE			LUMINAIRE MOUNTING HT. TO ROADWAY (M)	TRANSFORMER BASE HT. (M)	ARM RISE (M)	ARM LENGTH (M)	CONCRETE BASE DIAM / DEPTH (mm) / (mm)
			WATTS	DIST. TYPE	VOLTAGE					
SL-18	L 1+300.0, 3.0m RT.	YES	200	III	240	10.600	0.500	0.762	0.610	610/1828
SL-19	L 1+360.0, 3.0m RT.	YES	200	III	240	10.600	0.500	0.762	0.610	610/1828
SL-20	L 1+420.0, 3.0m RT.	YES	200	III	240	10.600	0.500	0.762	0.610	610/1828
SL-21	L 1+480.0, 3.0m RT.	YES	200	III	240	10.600	0.500	0.762	0.610	610/1828
SL-46	EB 9+762.6, 16.2m RT.	YES	200	III	240	10.600	0.500	0.762	2.440	610/1828
SL-47	EB 9+702.6, 16.9m RT.	YES	200	III	240	10.600	0.500	0.762	2.440	610/1828
SL-48	EB 9+642.6, 17.2m RT.	YES	200	III	240	10.600	0.500	0.762	2.440	610/1828
SL-61	WB 9+800.0, 8.2m RT.	YES	200	III	240	10.600	0.500	0.762	0.610	610/1828
SL-62	WB 9+860.0, 7.8m RT.	YES	200	III	240	10.600	0.500	0.762	0.610	610/1828



PROJECT NAME: BENNINGTON	PLOT DATE: 1/26/2010
PROJECT NUMBER: NH 019-1(54)	DRAWN BY: STANTEC
FILE NAME: ...zd307c4igt.plans.ptf	CHECKED BY: GARY SANTY
DESIGN SUPERVISOR: GREG EDWARDS	SHEET 224 OF 468
DESIGNED BY: MAEGAN CROWLEY	
LIGHTING PLANS LP-01	

1/26/2010 4:52:23 PM v:\1953\active\1953\0002\transportation\dr\cwg\ng\confr\csp\_4\p101\_files\z4507\04101-plans.p11