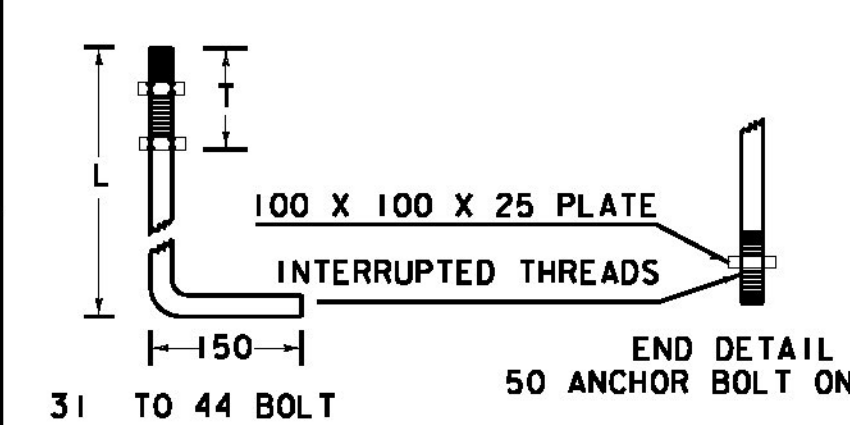
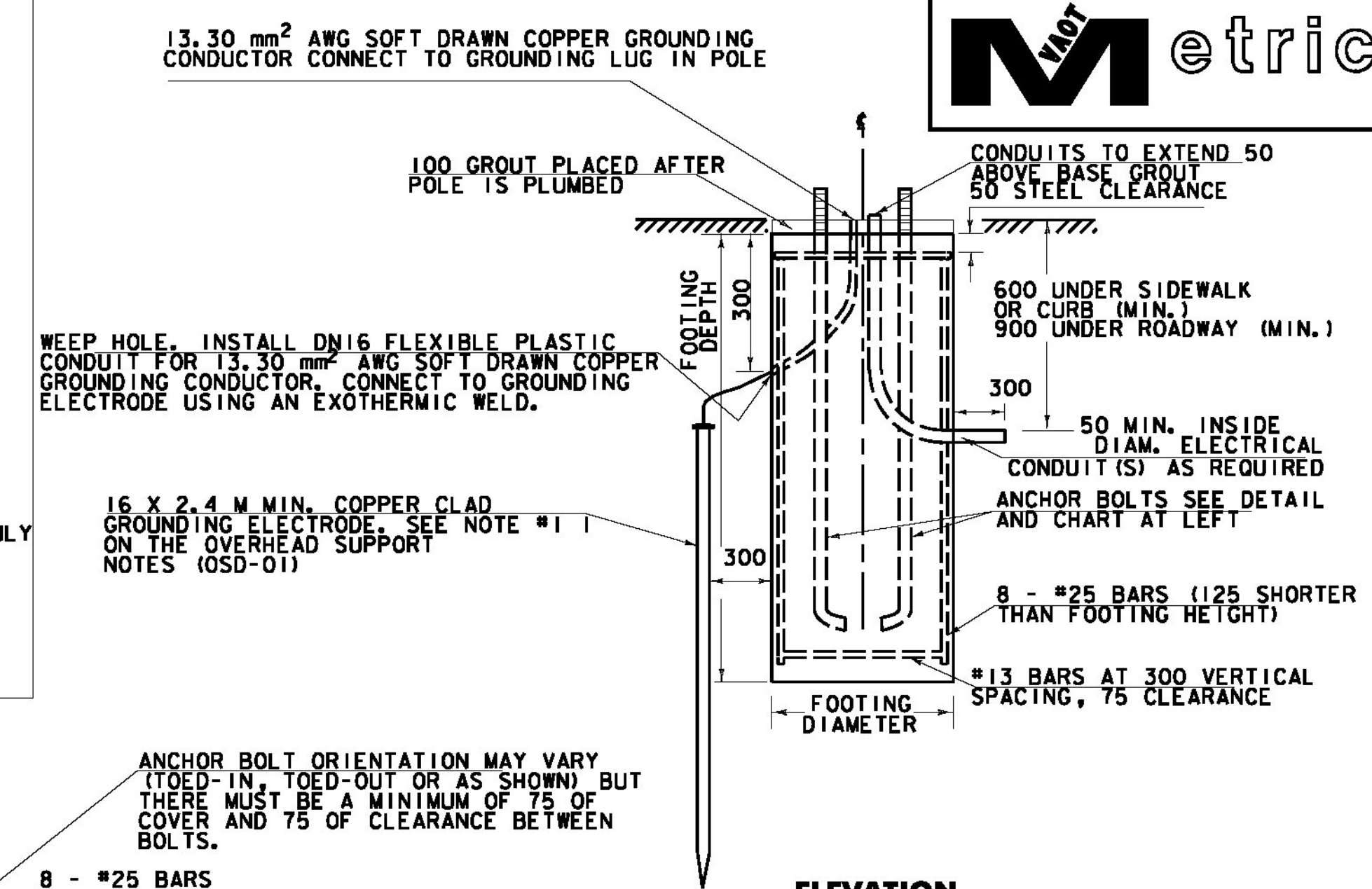


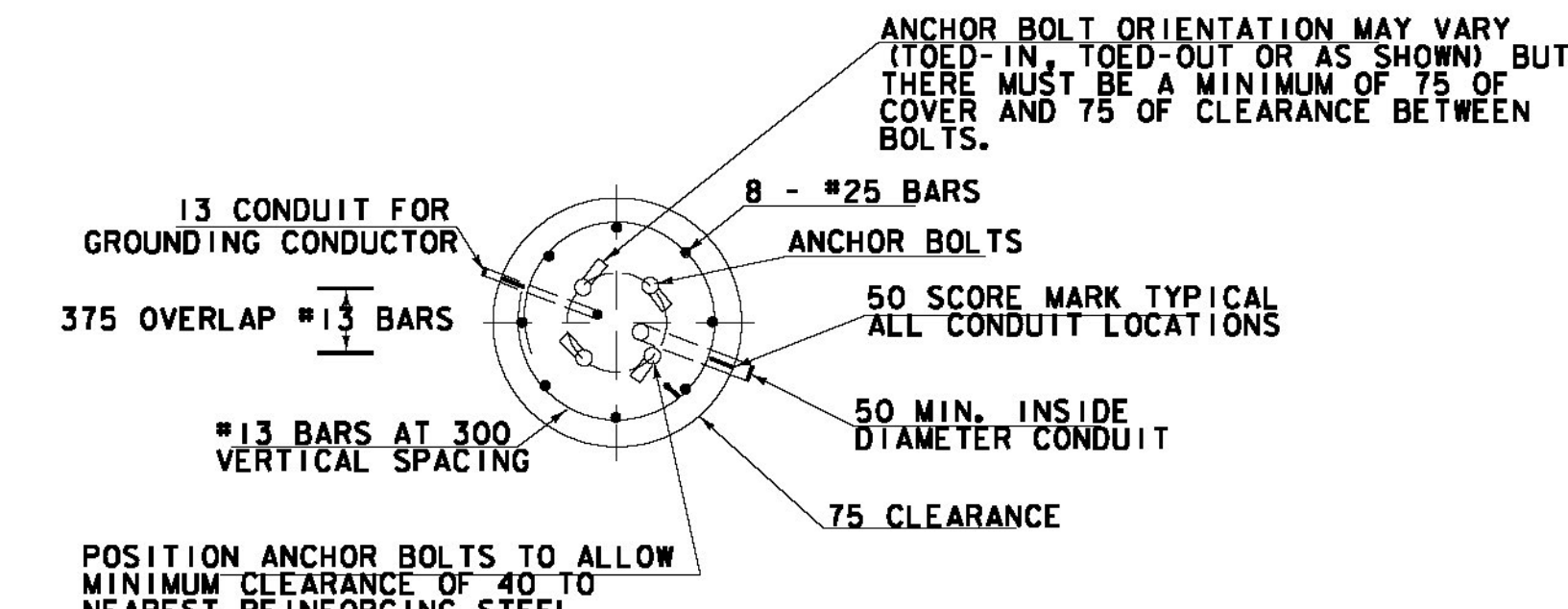
ANCHOR BOLT DETAIL		
SIZE	L	T
31 X 1220	1068	203
38 X 1525	1373	229
44 X 2268	2135	229
51 X 2440	2440	229



ANCHOR BOLT DETAIL



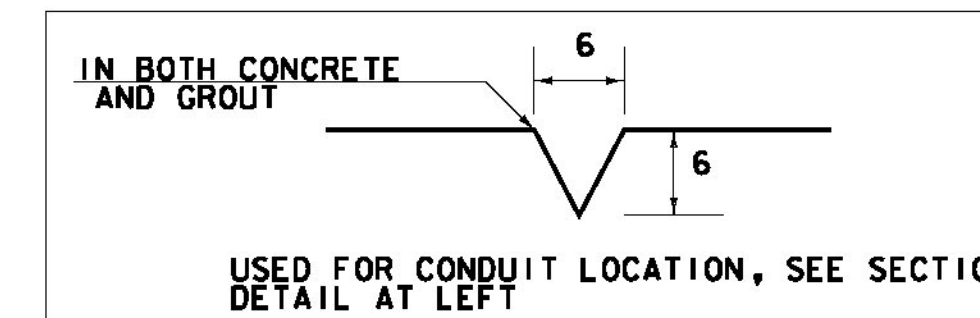
ELEVATION



SECTION

OVERHEAD TRAFFIC SIGN BRIDGE FOOTING DETAIL

(SPREAD FOOTINGS OR PILES ARE OPTIONAL)

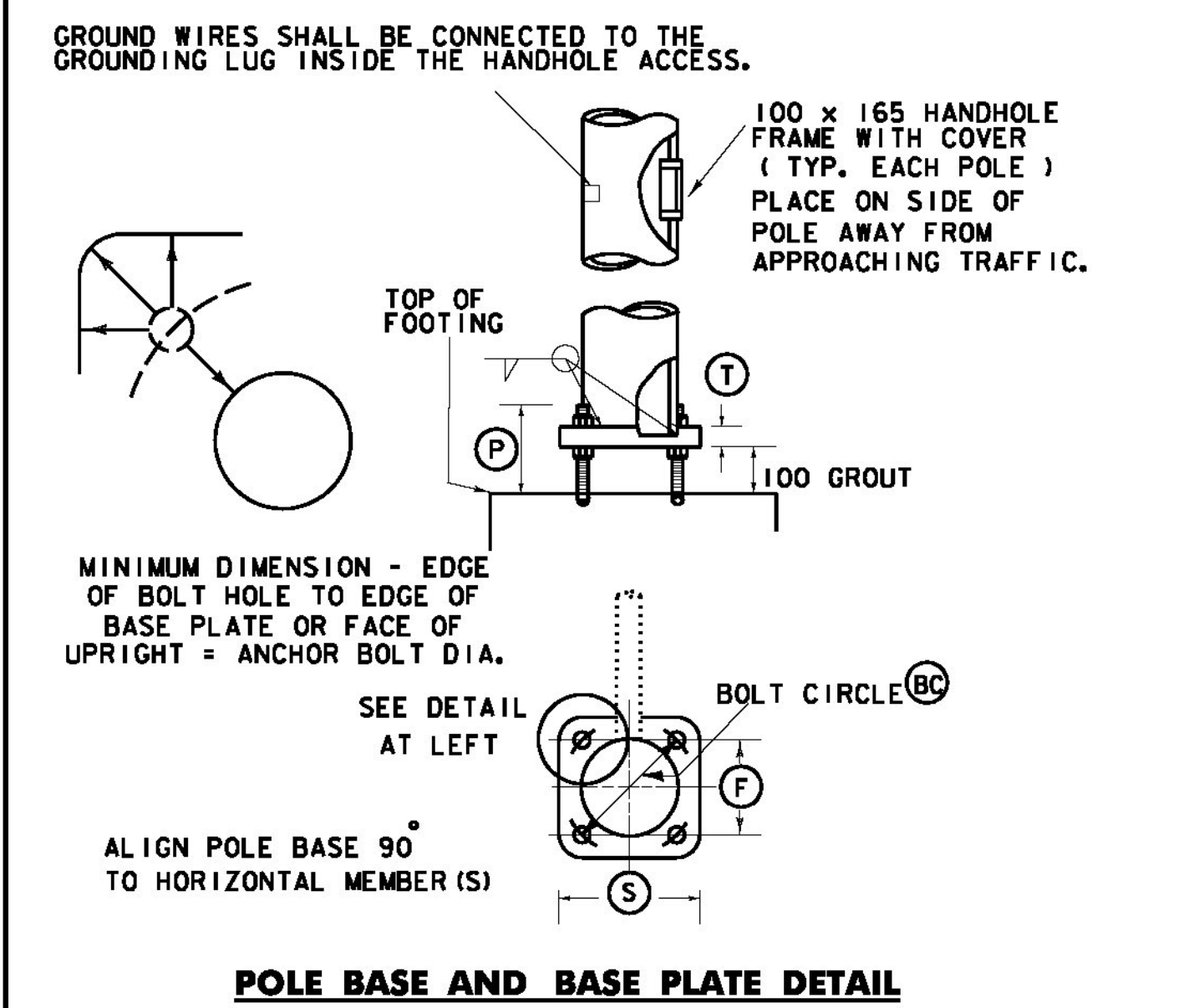


50 SCORE MARK DETAIL

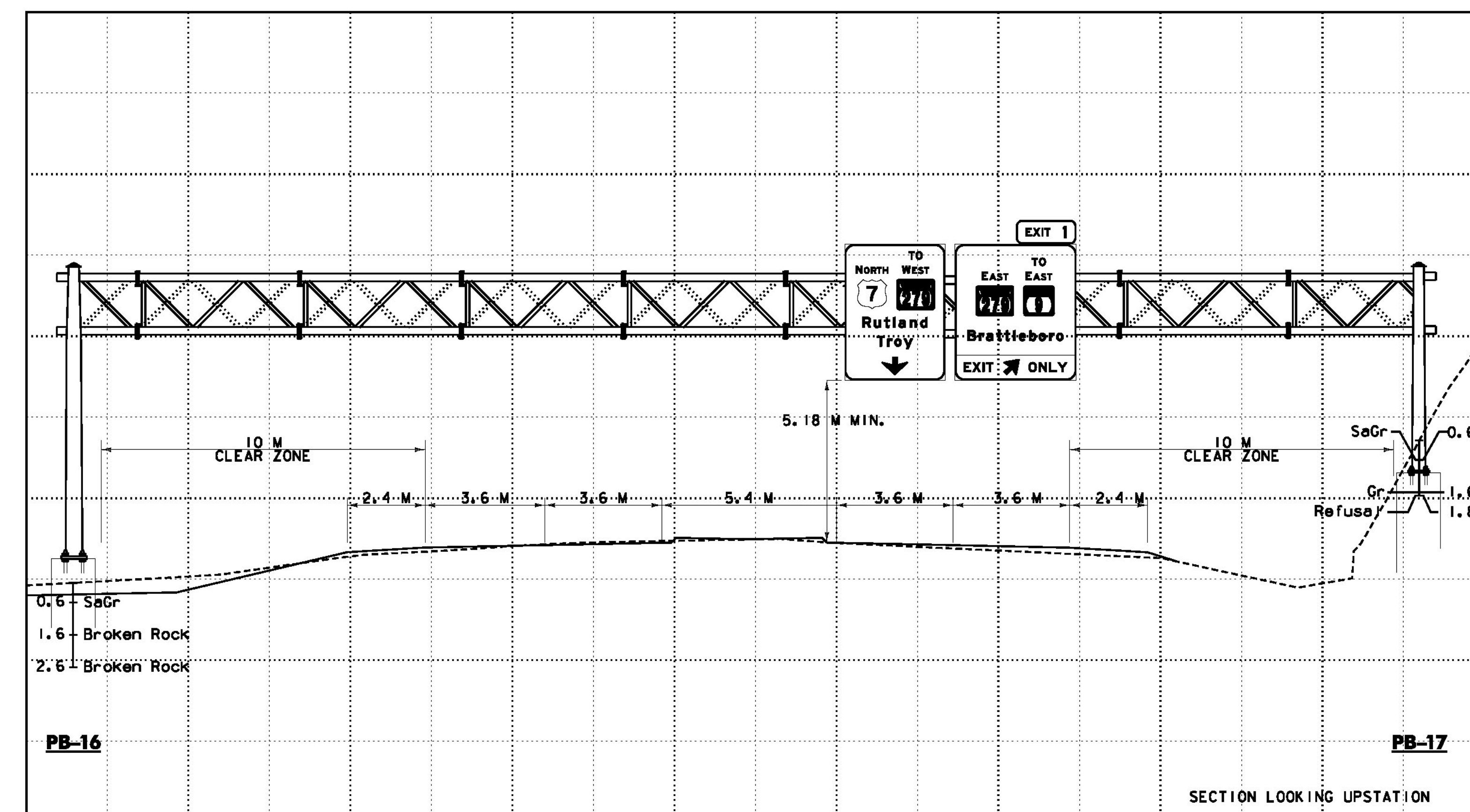
NOTES:

- SEE SHEET OVERHEAD SUPPORT NOTES OSD-01 FOR ADDITIONAL INFORMATION
- MANUFACTURER TO DETERMINE TYPE OF STRUCTURE REQUIRED.
- MONOTUBES SHALL NOT BE USED FOR SIGNS OVER 3.05 M IN HEIGHT.
- MINIMUM CLEARANCE FROM SIGNS TO ROADWAY IS 5.18 M.
- ALL DIMENSIONS IN MILLIMETERS (MM) EXCEPT WHERE NOTED.
- SIGNS SHALL BE MOUNTED SUCH THAT THE ARROW IS PLACED ABOVE THE CENTER OF THE LANE. SEE TSD-02 FOR SIGN DIMENSIONS.
- MAXIMUM EXPOSURE OF FOOTING ABOVE FINISH EXISTING GROUND SHALL BE 100mm

BASE PLATE / BOLT DATA					ANCHOR BOLT SIZE
BC	F	S	T	P	



POLE BASE AND BASE PLATE DETAIL



OVERHEAD SIGN BRIDGE CROSS SECTION @ NB 9+565.0
(SEE SHEET SP-09 FOR LOCATION PLAN)
NOT TO SCALE



PROJECT NAME:	BENNINGTON
PROJECT NUMBER:	NH 019-1(54)
FILE NAME:	... \plot_files\zd307c4det.osd.ptf
DESIGN SUPERVISOR:	GREG EDWARDS
DESIGNED BY:	MARC FOISY
OVERHEAD SUPPORT DETAILS OSD-08	
PLOT DATE:	1/26/2010
DRAWN BY:	STANTEC
CHECKED BY:	GARY SANTY
SHEET	219 OF 468